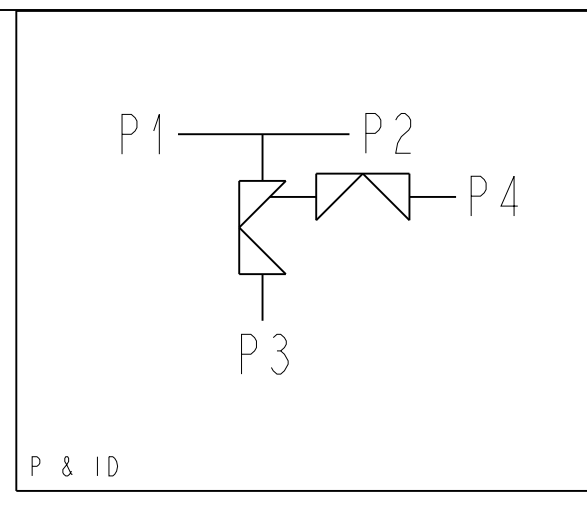
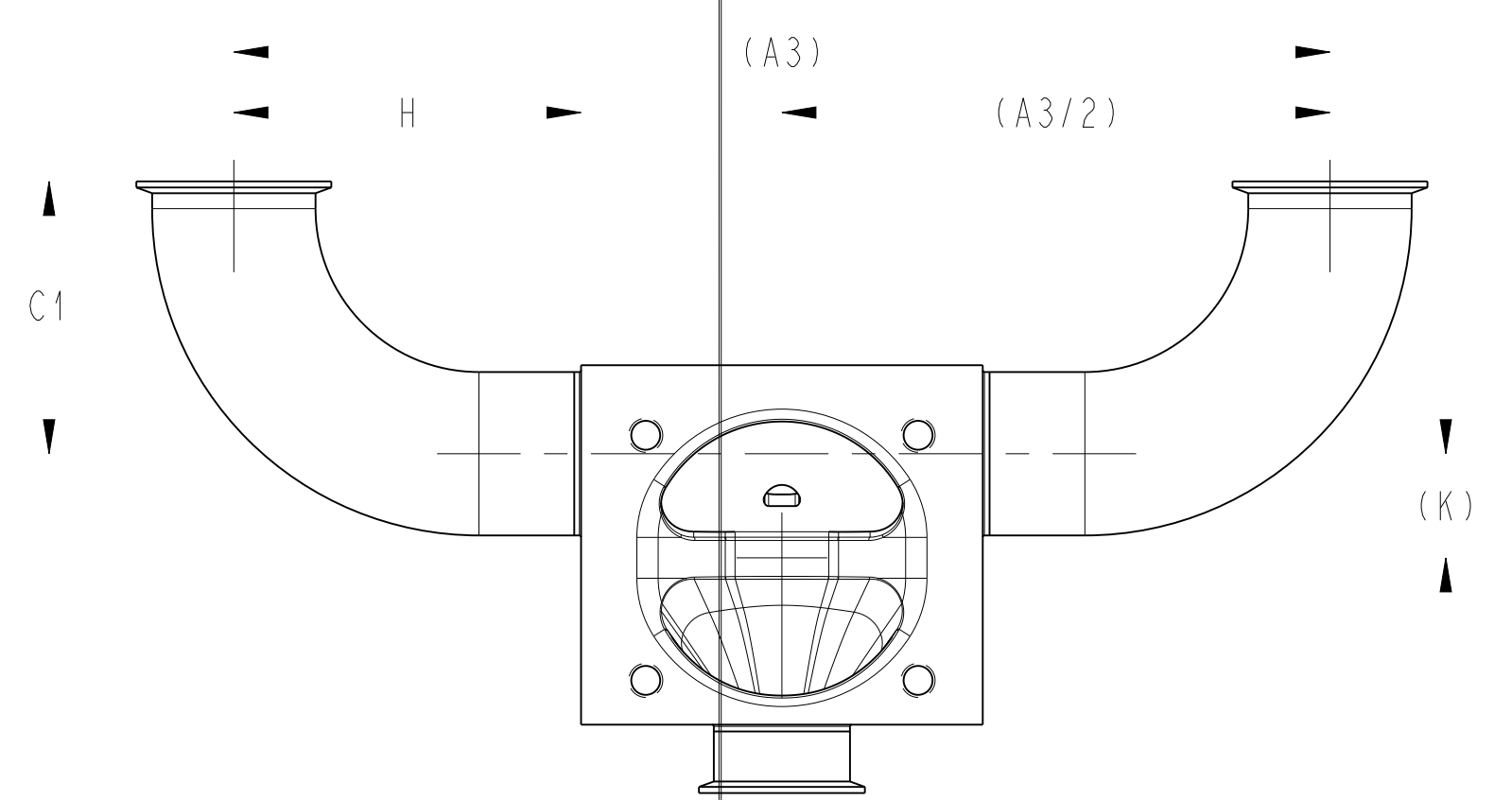


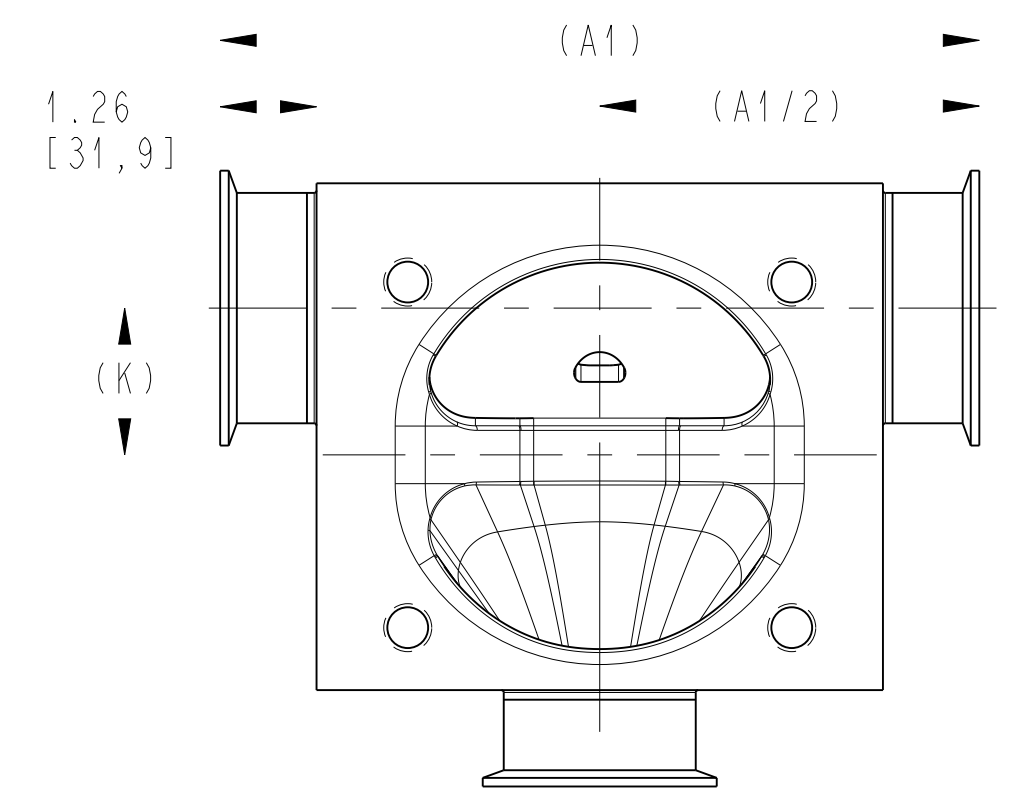
RUN X VALVE X SAMPLE	A1	A2	A3	B1	B2	C1	C2	D1	D2	E1	E2	F	G	H	J	K	L	M	N	BODY DWG
2-1/2" X 2-1/2"PF X 1/2"BV	(9.89) [251,1]	(11.13) [282,6]	(18.63) [473,1]	(5.96) [151,3]	(6.58) [167,0]	4.25 [108,0]	5.50 [139,7]	(2.57) [65,3]	(3.45) [87,7]	(2.72) [69,2]	(3.60) [91,5]	1.88 [47,6]	1.88 [47,6]	5.63 [142,9]	(2.05) [52,1]	(1.64) [41,6]	(0.55) [14,0]	2.50 [63,5]		
3" X 2-1/2"PF X 1/2"BV	(9.89) [251,1]	(11.13) [282,6]	(20.13) [511,2]	(6.23) [158,2]	(6.85) [174,0]	5.00 [127,0]	6.25 [158,8]	(2.80) [71,1]	(3.06) [77,7]	(2.99) [75,9]	(3.25) [82,5]	1.88 [47,6]	1.88 [47,6]	6.38 [161,9]	(2.42) [61,4]	(1.91) [48,5]	(0.92) [23,3]	1.63 [41,3]		
4" X 2-1/2"PF X 1/2"BV	(9.89) [251,1]	(11.63) [295,3]	(23.63) [600,1]	(6.74) [171,3]	(7.36) [187,0]	6.63 [168,3]	8.00 [203,2]	(3.39) [86,1]	(3.65) [92,7]	(3.33) [84,5]	(3.59) [91,2]	1.88 [47,6]	2.13 [54,0]	8.13 [206,4]	(2.93) [74,4]	(2.43) [61,6]	(1.43) [36,3]	1.63 [41,3]	(75°)	K24567A
3" X 3"PF X 1/2"BV	(9.89) [251,1]	(11.13) [282,6]	(20.13) [511,2]	(6.23) [158,2]	(6.85) [174,0]	5.00 [127,0]	6.25 [158,8]	(2.80) [71,1]	(3.68) [93,4]	(2.99) [75,9]	(3.87) [98,2]	1.88 [47,6]	1.88 [47,6]	6.38 [161,9]	(2.42) [61,4]	(1.91) [48,5]	(0.67) [17,0]	2.50 [63,5]		
4" X 3"PF X 1/2"BV	(9.89) [251,1]	(11.63) [295,3]	(23.63) [600,1]	(6.74) [171,3]	(7.36) [187,0]	6.63 [168,3]	8.00 [203,2]	(3.34) [84,8]	(3.60) [91,5]	(3.34) [84,8]	(3.60) [91,4]	1.88 [47,6]	2.13 [54,0]	8.13 [206,4]	(2.93) [74,4]	(2.43) [61,6]	(1.18) [30,0]	1.63 [41,3]		
2-1/2" X 2-1/2"PF X 1/2"ENV	(9.89) [251,1]	(11.13) [282,6]	(18.63) [473,1]	(5.96) [151,3]	(6.58) [167,0]	4.25 [108,0]	5.50 [139,7]	(2.87) [73,0]	(3.40) [86,4]	(2.98) [75,8]	(3.51) [89,2]	1.88 [47,6]	1.88 [47,6]	5.63 [142,9]	(2.05) [52,1]	(1.64) [41,6]	(0.55) [14,0]	2.00 [50,8]		
3" X 2-1/2"PF X 1/2"ENV	(9.89) [251,1]	(11.13) [282,6]	(20.13) [511,2]	(6.23) [158,2]	(6.85) [174,0]	5.00 [127,0]	6.25 [158,8]	(3.11) [79,0]	(3.37) [85,7]	(3.19) [81,0]	(3.45) [87,7]	1.88 [47,6]	1.88 [47,6]	6.38 [161,9]	(2.42) [61,4]	(1.91) [48,5]	(0.92) [23,3]	1.63 [41,3]		
4" X 2-1/2"PF X 1/2"ENV	(9.89) [251,1]	(11.63) [295,3]	(23.63) [600,1]	(6.74) [171,3]	(7.36) [187,0]	6.63 [168,3]	8.00 [203,2]	(3.55) [90,3]	(3.82) [96,9]	(3.56) [90,4]	(3.82) [97,1]	1.88 [47,6]	2.13 [54,0]	8.13 [206,4]	(2.93) [74,4]	(2.43) [61,6]	(1.43) [36,3]	1.63 [41,3]	(75°)	K24286A
3" X 3"PF X 1/2"ENV	(9.89) [251,1]	(11.13) [282,6]	(20.13) [511,2]	(6.23) [158,2]	(6.85) [174,0]	5.00 [127,0]	6.25 [158,8]	(3.11) [79,0]	(3.64) [92,4]	(3.19) [81,0]	(3.72) [94,4]	1.88 [47,6]	1.88 [47,6]	6.38 [161,9]	(2.42) [61,4]	(1.91) [48,5]	(0.67) [17,0]	2.00 [50,8]		
4" X 3"PF X 1/2"ENV	(9.89) [251,1]	(11.63) [295,3]	(23.63) [600,1]	(6.74) [171,3]	(7.36) [187,0]	6.63 [168,3]	8.00 [203,2]	(3.53) [89,7]	(3.79) [96,4]	(3.56) [90,4]	(3.82) [97,1]	1.88 [47,6]	2.13 [54,0]	8.13 [206,4]	(2.93) [74,4]	(2.43) [61,6]	(1.18) [30,0]	1.63 [41,3]		
4" X 4"PF X 1/2"BV	(11.51) [292,4]	(13.25) [336,6]	(25.25) [641,4]	(8.30) [210,8]	(9.17) [232,9]	6.63 [168,3]	8.00 [203,2]	(3.66) [92,9]	(4.54) [115,3]	(3.05) [77,6]	(3.93) [99,9]	2.13 [54,0]	2.13 [54,0]	8.13 [206,4]	(3.10) [78,7]	(2.55) [64,6]	(0.35) [8,9]	2.50 [63,5]	(70°)	K24570A
4" X 4"PF X 1/2"ENV	(11.51) [292,4]	(13.25) [336,6]	(25.25) [641,4]	(8.28) [210,4]	(9.15) [232,5]	6.63 [168,3]	8.00 [203,2]	(3.91) [99,4]	(4.79) [121,7]	(3.25) [82,6]	(4.13) [104,9]	2.13 [54,0]	2.13 [54,0]	8.13 [206,4]	(2.80) [71,1]	(2.53) [64,2]	(0.05) [1,3]	2.50 [63,5]		K24505A



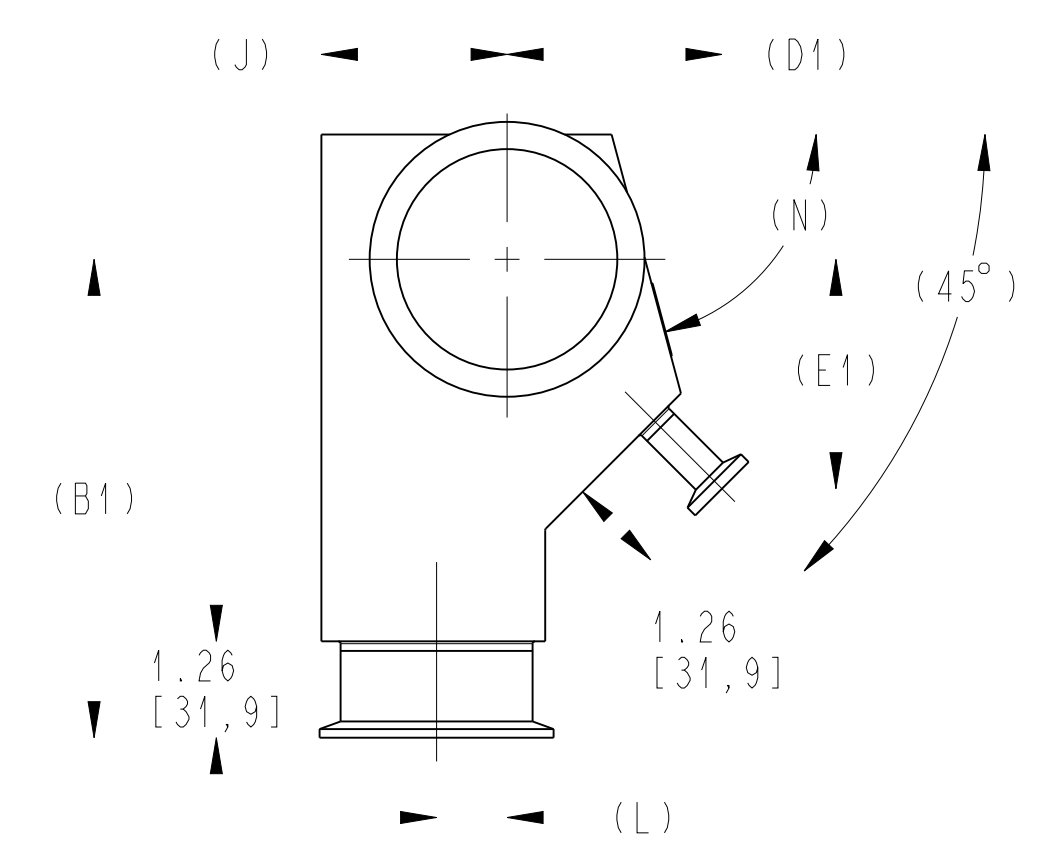
NOTE:
1. VERTICAL OPTION SHOWN.
HORIZONTAL OPTION AVAILABLE
ROTATED 90° TOWARD SAMPLE VALVE.



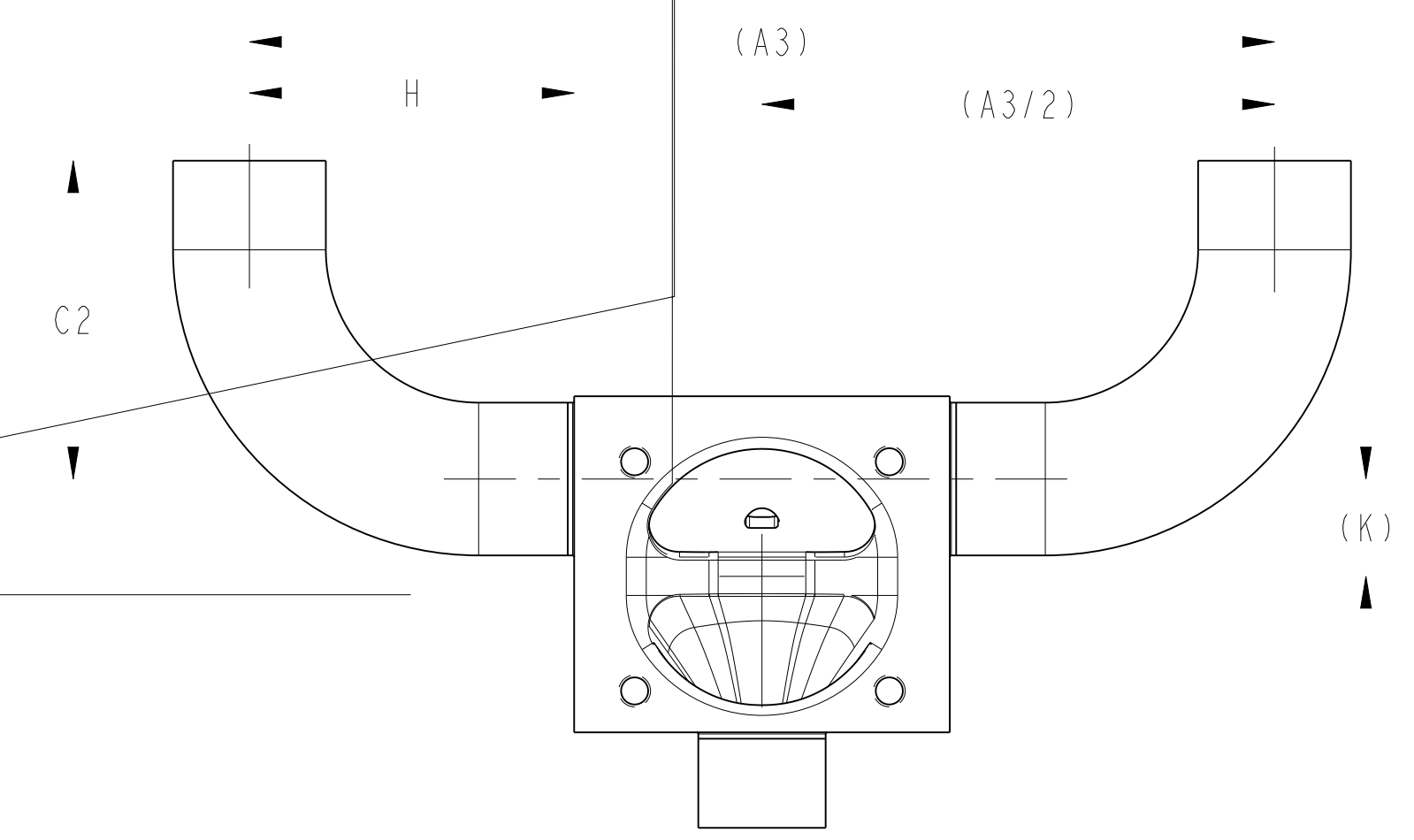
FRONT VIEW
VERTICAL TCE U-BEND



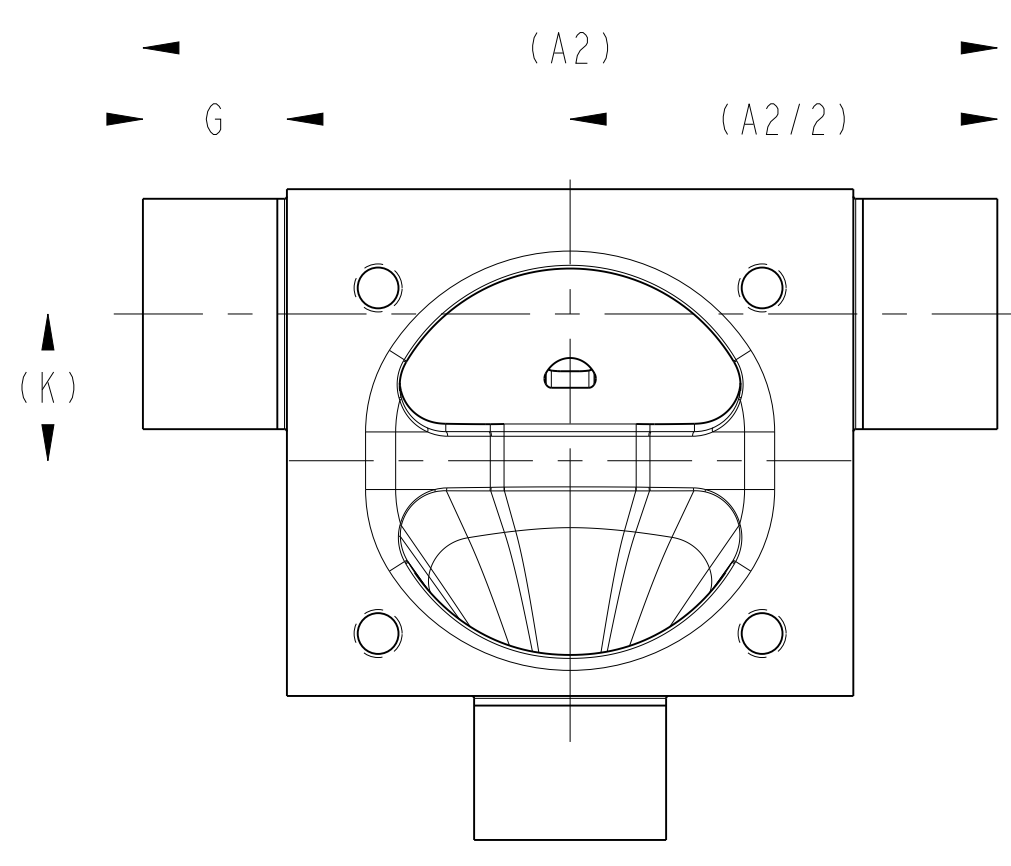
FRONT VIEW
TCE TEE



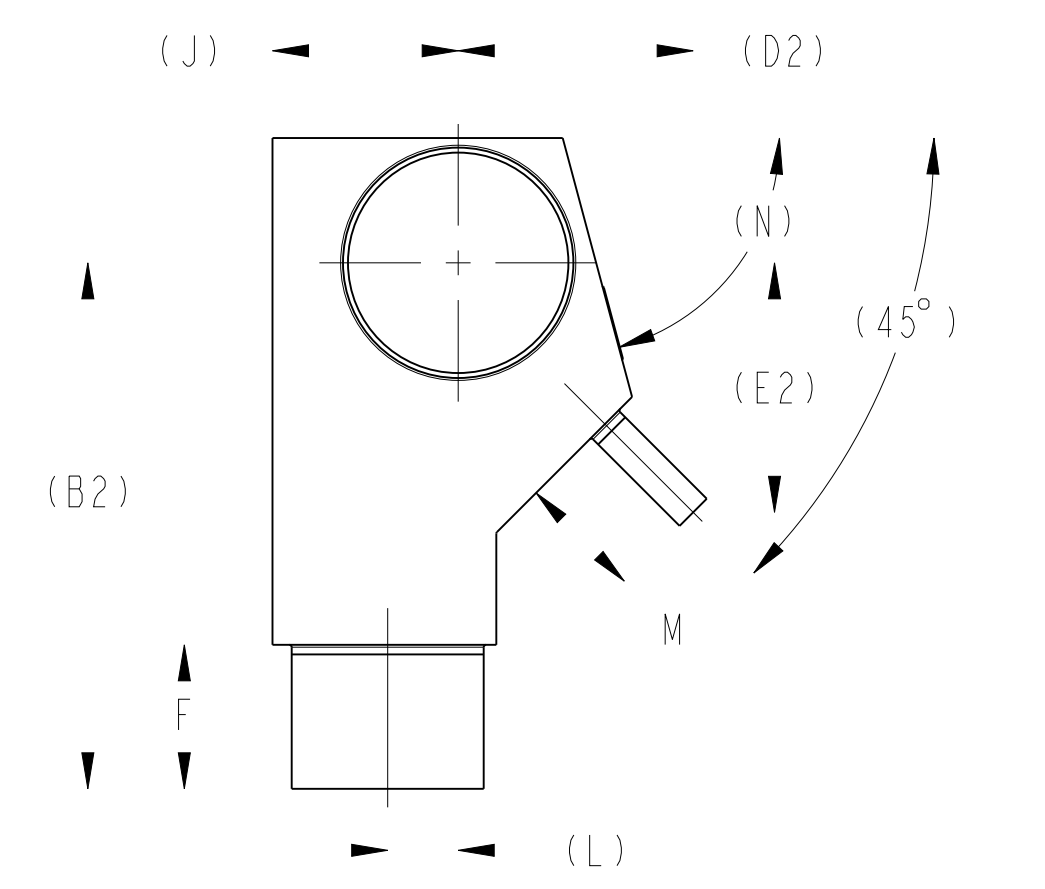
SIDE VIEW
APPLIES TO ALL OPTIONS



FRONT VIEW
VERTICAL AWE U-BEND

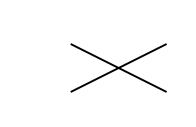
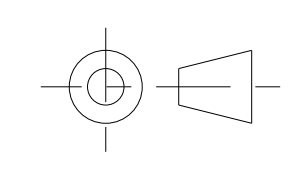


FRONT VIEW
AWE TEE



OTHER INFO: -

THIS DOCUMENT IS THE SOLE PROPERTY OF ITT CORPORATION, OR ITS SUBSIDIARY, AND IS PROVIDED SUBJECT TO RETURN. IT IS ISSUED IN STRICT CONFIDENCE AND SHALL NOT BE REPRODUCED, OR COPIED, OR DISCLOSED IN WHOLE OR IN PART, OR USED AS THE BASIS FOR THE MANUFACTURE OR SALES OF APPARATUS OR PARTS TO WHICH THE DOCUMENT RELATES, WITHOUT THE EXPRESS WRITTEN CONSENT OF ITT CORPORATION, OR ITS SUBSIDIARY. THIS LEGEND SHALL BE MARKED ON ANY REPRODUCTION HEREOF, IN WHOLE OR IN PART. ALL RIGHTS TO THE INFORMATION AND DESIGN DISCLOSED HEREIN ARE RESERVED TO ITT CORPORATION, OR ITS SUBSIDIARY.



PF X BIOVIZION/ENVIZION
ZERO STATIC CENTER-BACK
SAMPLE BODY ASSY.
-
-
MASTER DWG: A24634A/- ECN# 18230

ITT Pure-Flid

--	--	--	--