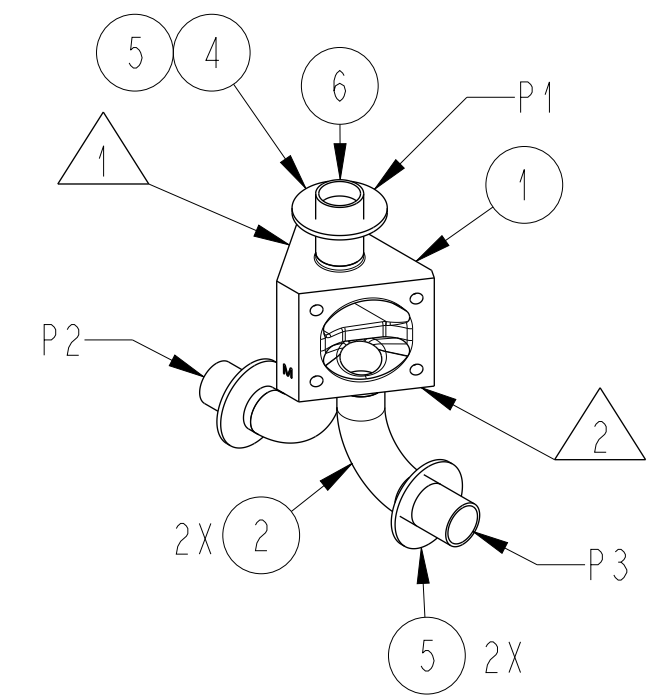


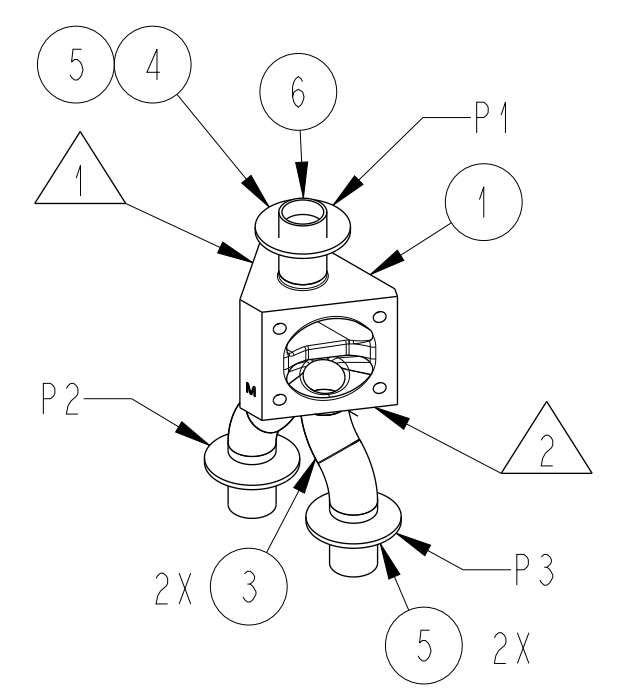
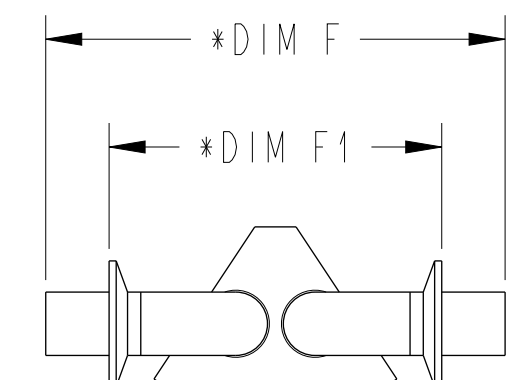
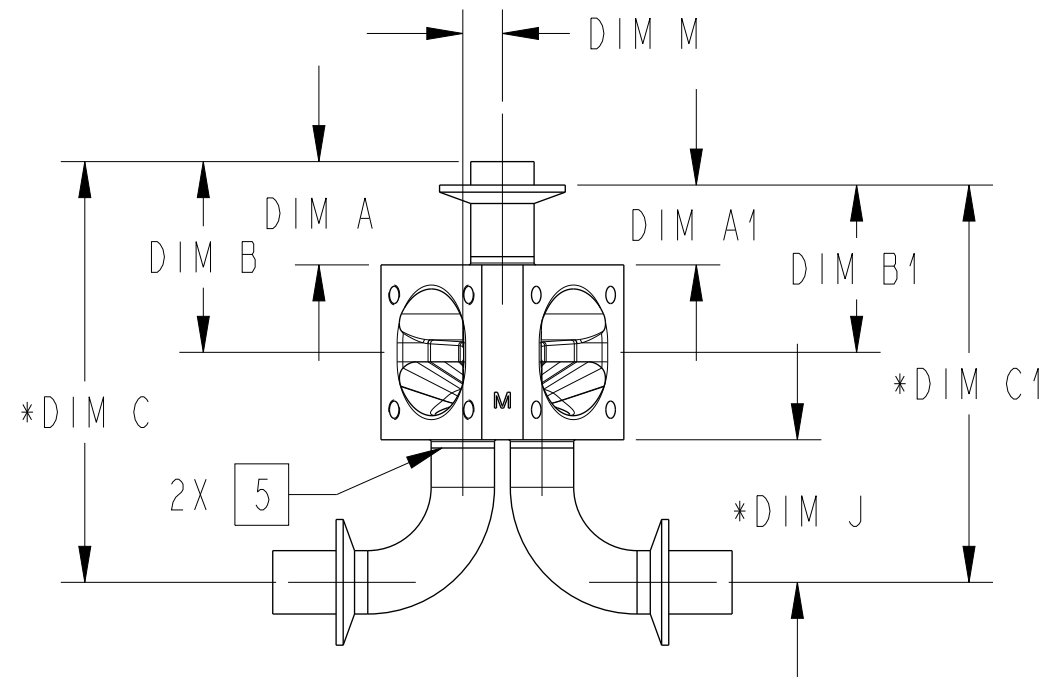
TAG NUMBERS		
A	1	2
VALVE ASSY	FIRST VALVE	SECOND VALVE
1		

- NOTE : ( UNLESS OTHERWISE SPECIFIED )
- "P" NUMBERS INDICATE PORT CONNECTION.
  - TUBE ENDS MEET OR EXCEED THE FOLLOWING TANGENT LENGTHS  
 $3/4" - 1-1/2" = 1-1/2"$ ;  $2" - 3" = 1-3/4"$ ;  $4" = 2"$
  - FOR FABRICATION TOLERANCES REFER TO ITT SPECIFICATION ES-0073.
  - TOLERANCE IS +/- .09 AS INDICATED.
  - INTERNAL WELDS WILL REMAIN IN THE AS WELDED CONDITION.

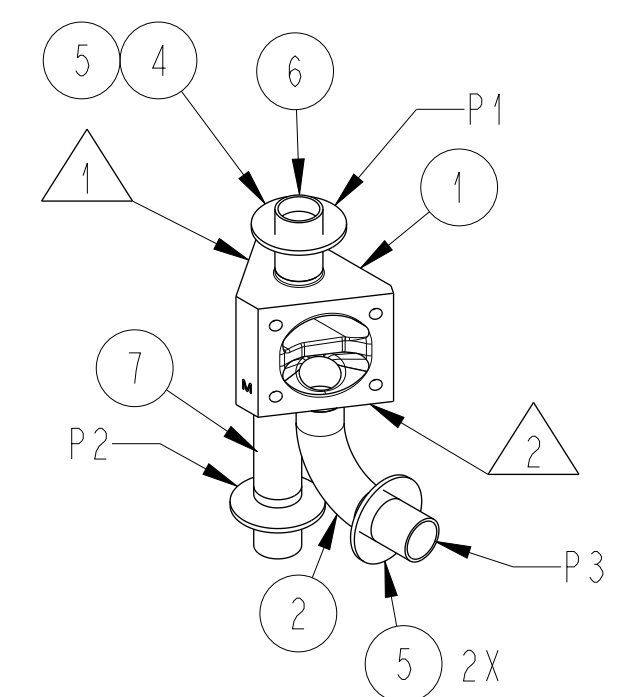
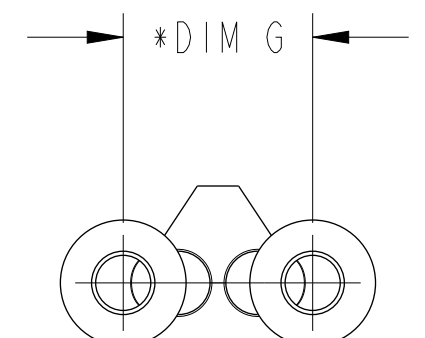
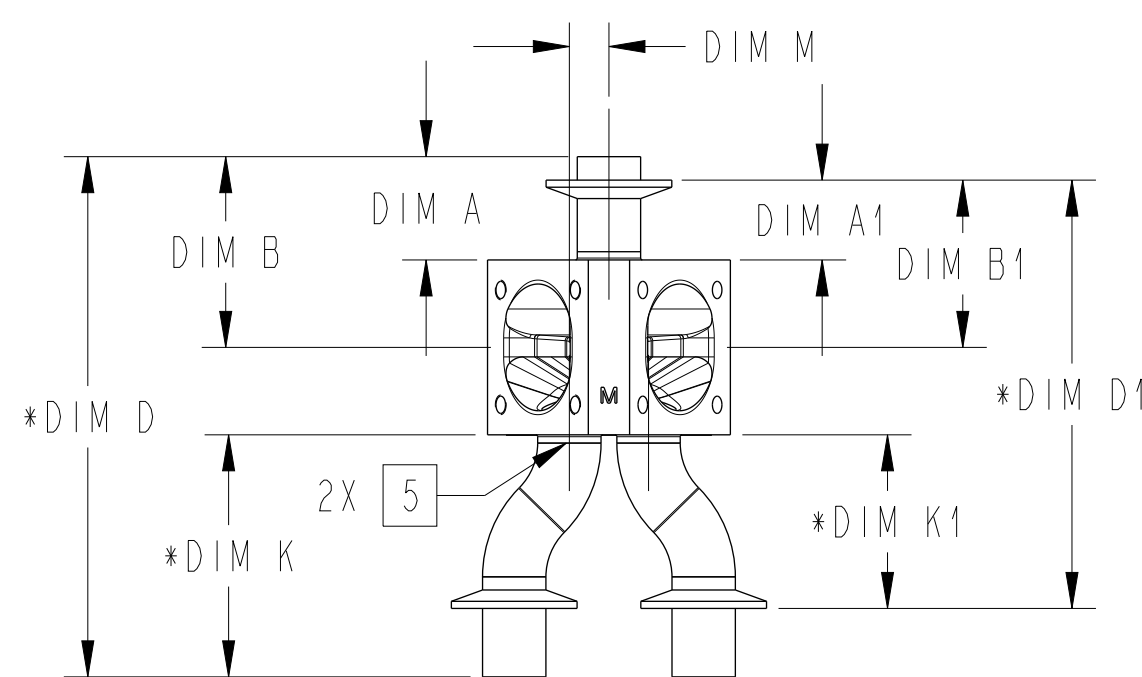
LIST OF MAJOR COMPONENTS	
ITEM	DESCRIPTION
1	BODY 2DV
2	ELBOW
3	FABRICATED ELBOW (120729)
4	FERRULE TRI-CLAMP BUTT-WELD
5	FERRULE TRI-CLAMP SHORT WELD
6	TUBE X 1.50 LONG
7	TUBING



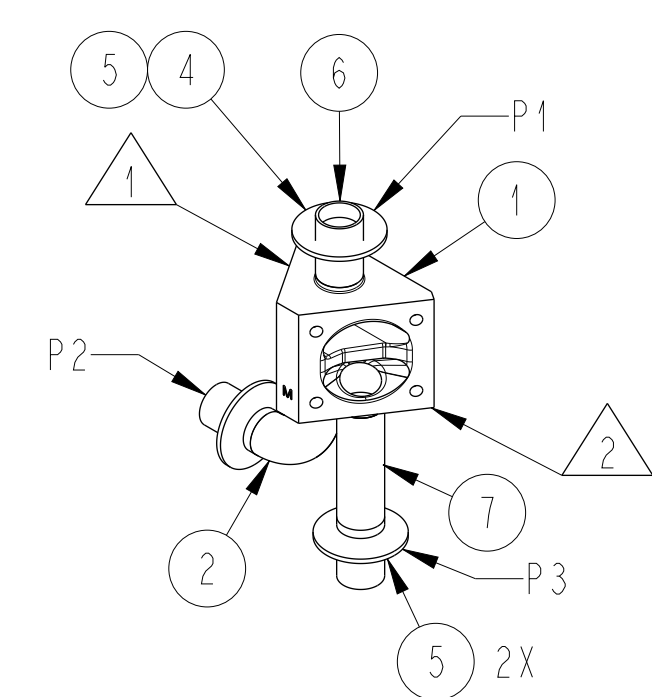
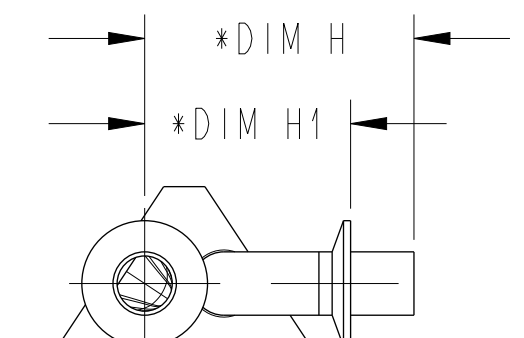
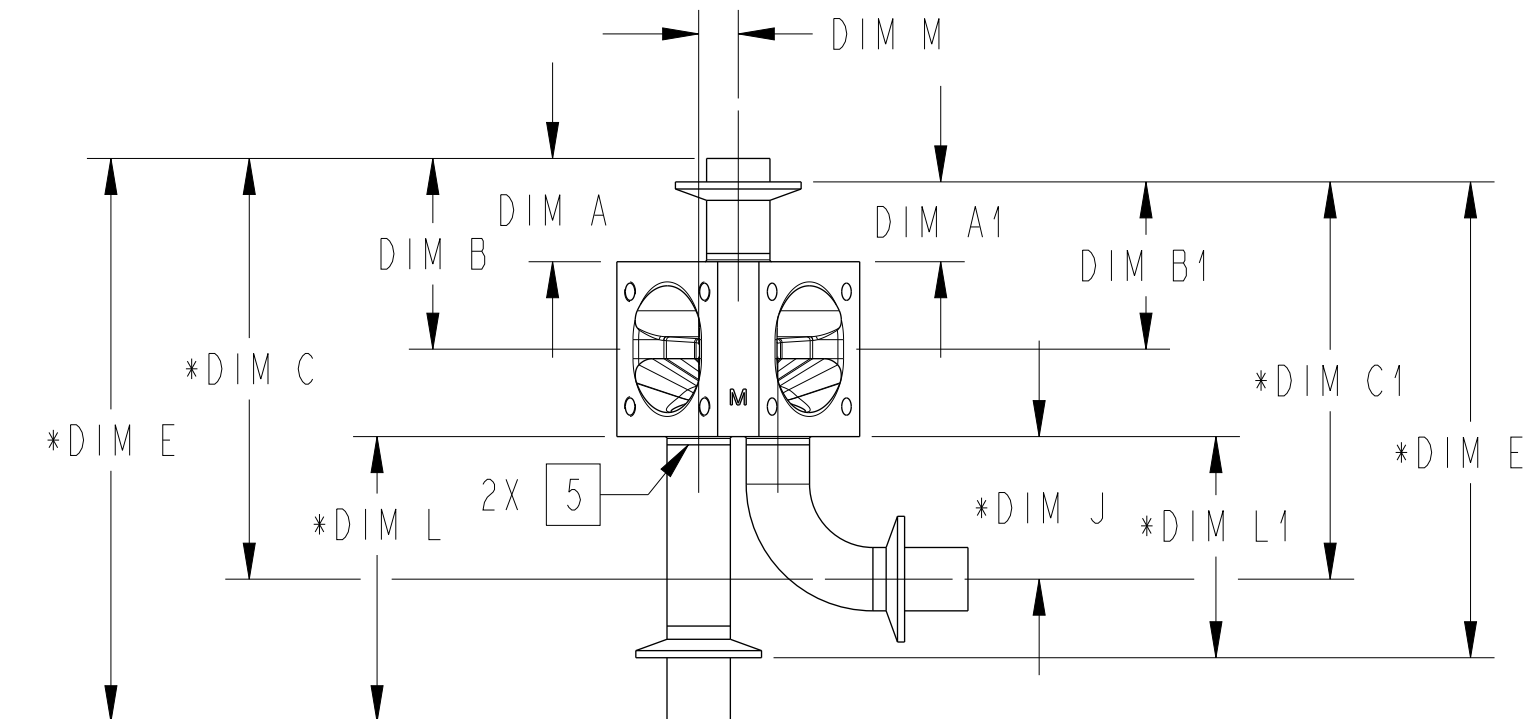
**OPTION 1**



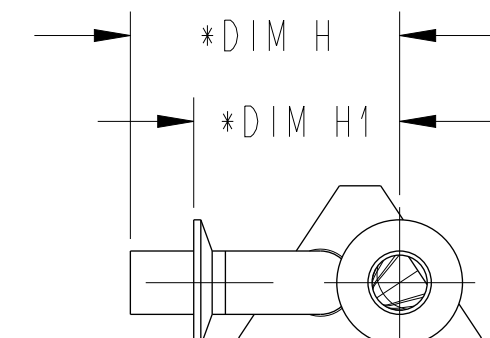
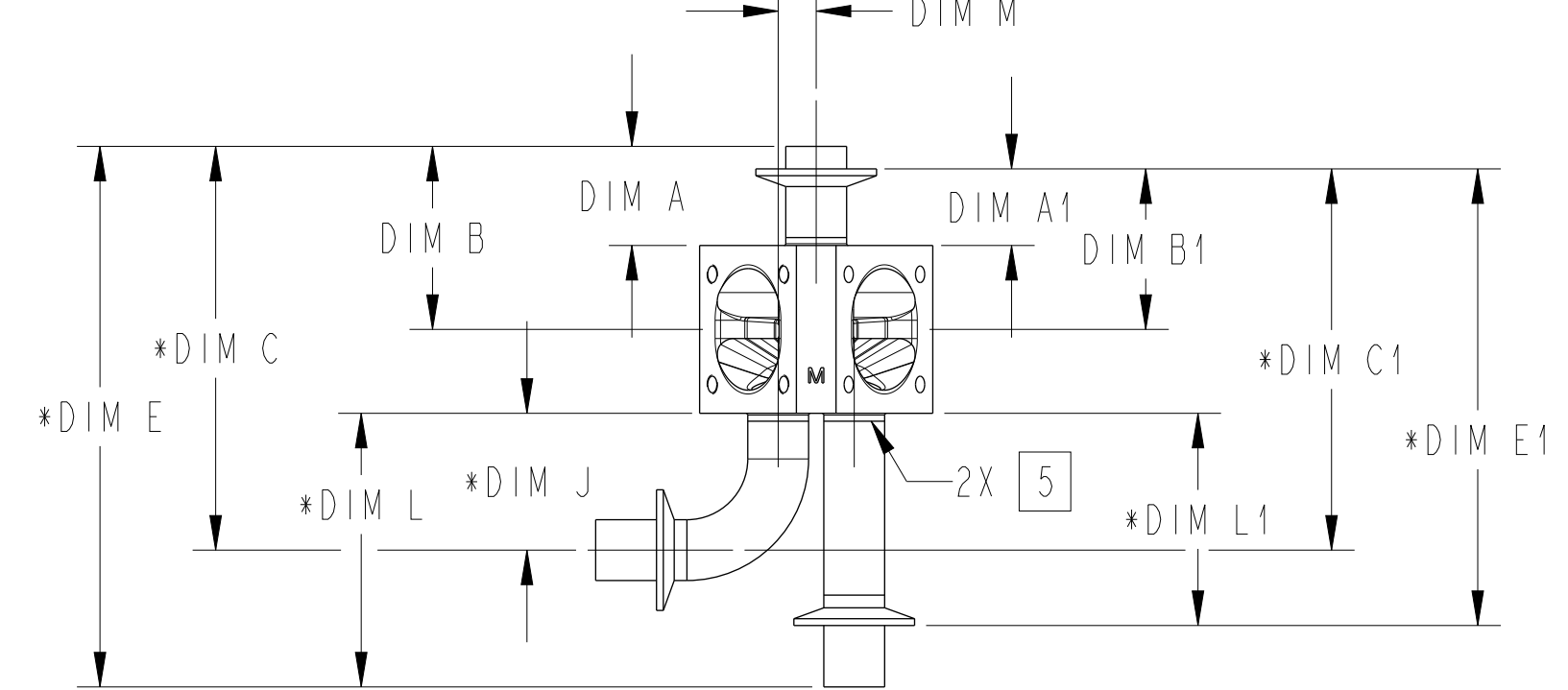
**OPTION 2**



**OPTION 3**



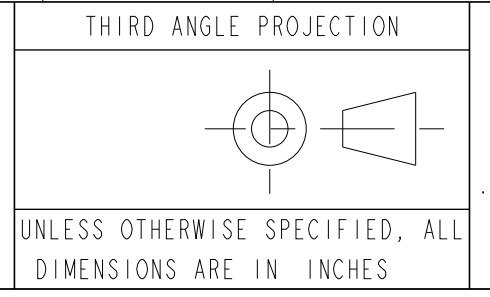
**OPTION 4**



VALVE SIZE	A	A1	B	B1	C	C1	D	D1	E	E1	F	F1	G	H	H1	J	K	K1	L	L1	M	DRAWING
00.75	1.63 [41,4]	0.63 [16,0]	2.87 [72,8]	1.87 [47,4]	6.08 [154,4]	5.08 [129,0]	7.56 [192,0]	5.31 [134,9]	7.98 [202,7]	5.50 [139,7]	6.50 [165,1]	4.51 [114,6]	2.37 [60,2]	3.77 [95,6]	2.77 [70,4]	1.98 [50,3]	3.46 [87,9]	2.21 [56,1]	3.88 [98,6]	2.40 [61,0]	0.52 [13,1]	118210
01.00	1.63 [41,4]	1.26 [32,0]	3.01 [76,5]	2.64 [67,1]	6.64 [168,7]	6.27 [159,3]	8.21 [208,5]	6.76 [171,7]	8.89 [225,8]	7.51 [190,8]	7.25 [184,2]	5.25 [133,4]	2.99 [75,9]	4.25 [108,0]	3.25 [82,6]	2.25 [57,2]	3.82 [97,0]	2.74 [69,6]	4.50 [114,3]	3.49 [88,6]	0.63 [15,9]	118211
01.50	1.63 [41,4]	1.26 [32,0]	3.48 [88,3]	3.11 [78,9]	7.70 [195,6]	7.33 [186,2]	10.15 [257,8]	8.76 [222,5]	9.94 [252,5]	8.45 [214,6]	9.70 [246,4]	7.70 [195,6]	4.81 [122,2]	5.95 [151,1]	4.95 [125,7]	2.38 [60,5]	4.83 [122,7]	3.81 [96,8]	4.62 [117,3]	3.50 [88,9]	1.10 [27,9]	118212
02.00	1.88 [47,8]	1.26 [32,0]	4.01 [101,7]	3.39 [86,0]	9.51 [241,6]	8.89 [225,8]	12.26 [311,4]	10.39 [263,9]	12.01 [305,1]	11.01 [279,7]	12.00 [304,8]	9.50 [241,3]	6.00 [152,4]	7.25 [184,2]	6.00 [152,4]	3.38 [85,9]	6.13 [155,7]	4.88 [124,0]	5.88 [149,4]	5.50 [139,7]	1.25 [31,8]	118213
02.50	1.88 [47,8]	1.26 [32,0]	5.13 [130,3]	4.51 [114,6]	13.81 [350,8]	13.19 [335,0]	15.73 [399,5]	14.14 [359,2]	15.76 [400,3]	13.51 [343,2]	13.81 [350,9]	11.31 [287,4]	7.49 [190,3]	8.31 [211,2]	7.06 [179,4]	5.43 [137,9]	7.35 [186,7]	6.38 [162,1]	7.38 [187,5]	5.75 [146,1]	1.41 [35,7]	120018
03.00	1.88 [47,8]	1.26 [32,0]	5.13 [130,3]	4.51 [114,6]	14.76 [374,9]	14.14 [359,2]	16.76 [425,7]	15.12 [384,0]	17.63 [447,8]	15.76 [400,3]	16.00 [406,4]	13.50 [342,9]	9.12 [231,6]	9.75 [247,7]	8.50 [215,9]	6.38 [162,1]	8.38 [212,9]	7.36 [186,9]	9.25 [235,0]	8.00 [203,2]	1.75 [44,5]	121119
04.00	2.13 [54,1]	1.26 [32,0]	6.63 [168,4]	5.76 [146,3]	17.27 [438,5]	16.40 [416,4]	21.76 [552,7]	19.63 [498,6]	21.13 [536,7]	18.51 [470,2]	20.41 [518,4]	17.67 [448,8]	11.55 [293,3]	12.41 [315,2]	11.04 [280,4]	6.14 [155,8]	10.63 [270,0]	9.37 [238,0]	10.00 [254,0]	8.25 [209,6]	2.20 [56,0]	M10093

PURE-FLO ORDER: \_\_\_\_\_ ITEM: \_\_\_\_\_  
 CUSTOMER: \_\_\_\_\_  
 CUSTOMER PO: \_\_\_\_\_  
 OTHER INFO: \_\_\_\_\_

THIS DOCUMENT IS THE SOLE PROPERTY OF ITT CORPORATION, OR ITS SUBSIDIARY, AND IS PROVIDED SUBJECT TO RETURN. IT IS ISSUED IN STRICT CONFIDENCE AND SHALL NOT BE REPRODUCED, OR COPIED, OR DISCLOSED IN WHOLE OR IN PART, OR USED AS THE BASIS FOR THE MANUFACTURE OR SALES OF APPARATUS OR PARTS TO WHICH THE DOCUMENT RELATES, WITHOUT THE EXPRESS WRITTEN CONSENT OF ITT CORPORATION, OR ITS SUBSIDIARY. THIS LEGEND SHALL BE MARKED ON ANY REPRODUCTION HEREOF, IN WHOLE OR IN PART. ALL RIGHTS TO THE INFORMATION AND DESIGN DISCLOSED HEREIN ARE RESERVED TO ITT CORPORATION, OR ITS SUBSIDIARY.



UNLESS OTHERWISE NOTED	
INCH	MM
X : ± 0.06	X : ± 1.5
.XX : ± 0.06	.XX : ± 1.5
.XXX : ± 0.02	.XXX : ± 0.5
X/XX : ± 0.02	X/XX : ± 0.5
X/XXX : ± 0.01	X/XXX : ± 0.25
X/XXXX : ± 0.005	X/XXXX : ± 0.125

DATE	BY
DWN 07/20/23	JAS
CHKD 07/24/23	KP
APVD 07/24/23	TJS

3/4" PF THRU 4" 2-WAY DIVERT VALVE TCE & AWE TABULATED

MASTER DWG: A26573/D ECN# 19174

**ITT** PureFlo [www.ittpureflo.com](http://www.ittpureflo.com)

D A26573 SHEET 1 OF 1 REV D

ISSUE BY: \_\_\_\_\_ CERT BY: \_\_\_\_\_