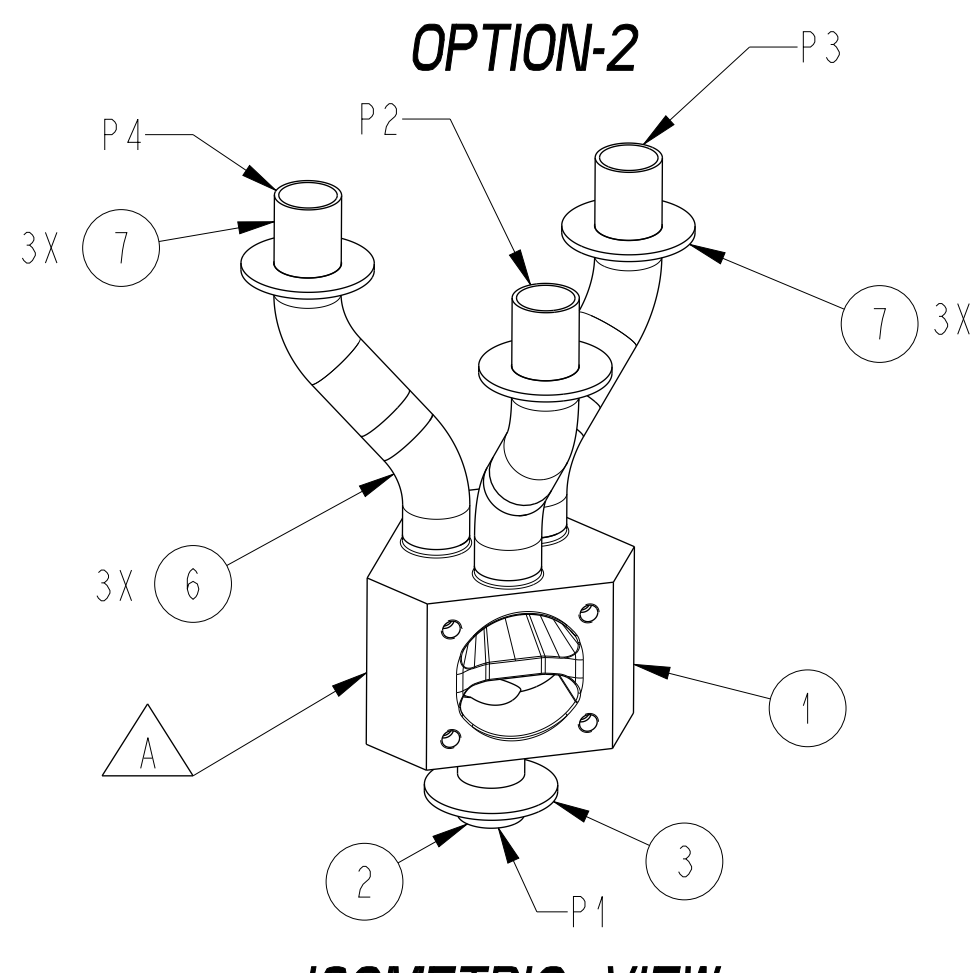
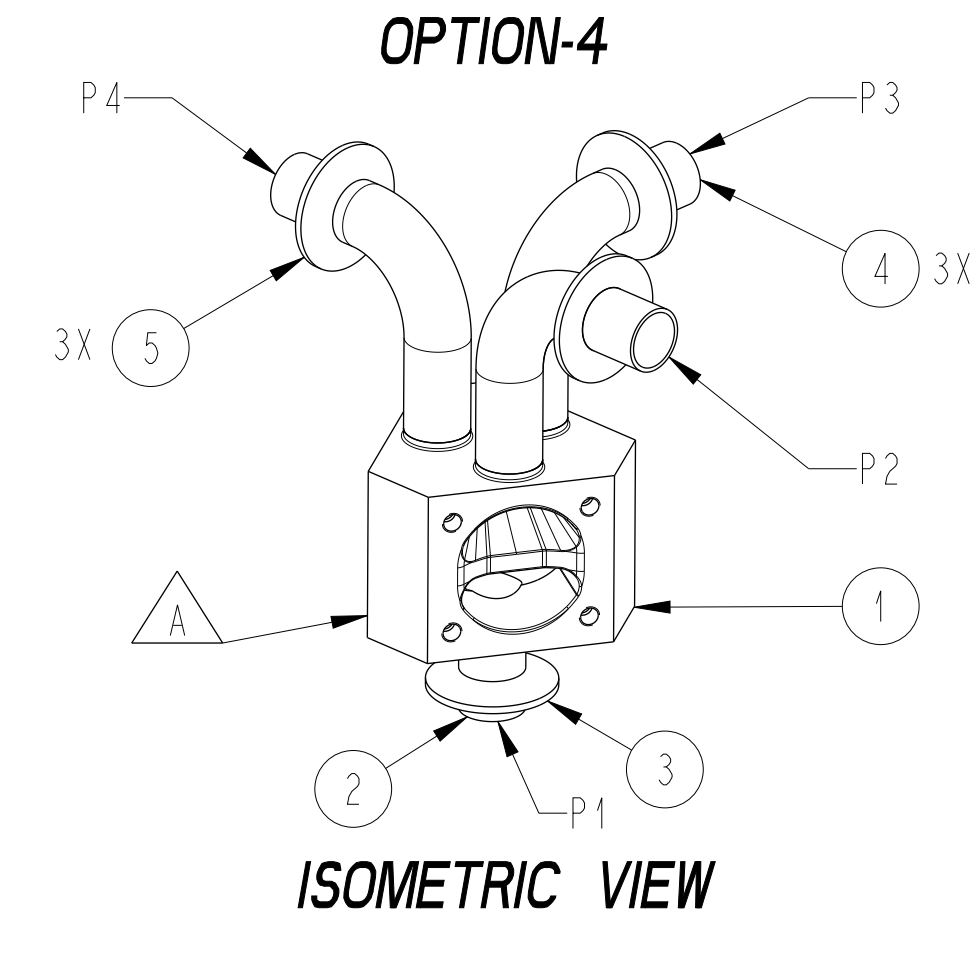


OPTION-1
ISOMETRIC VIEW



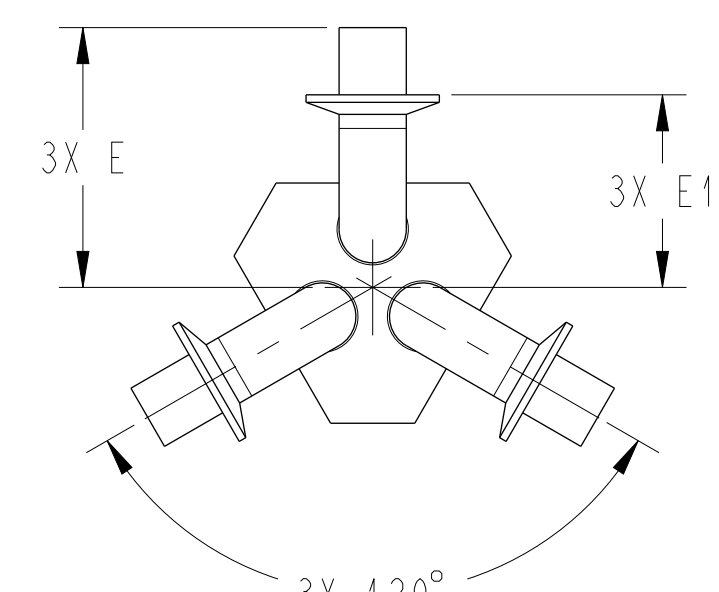
OPTION-2
ISOMETRIC VIEW



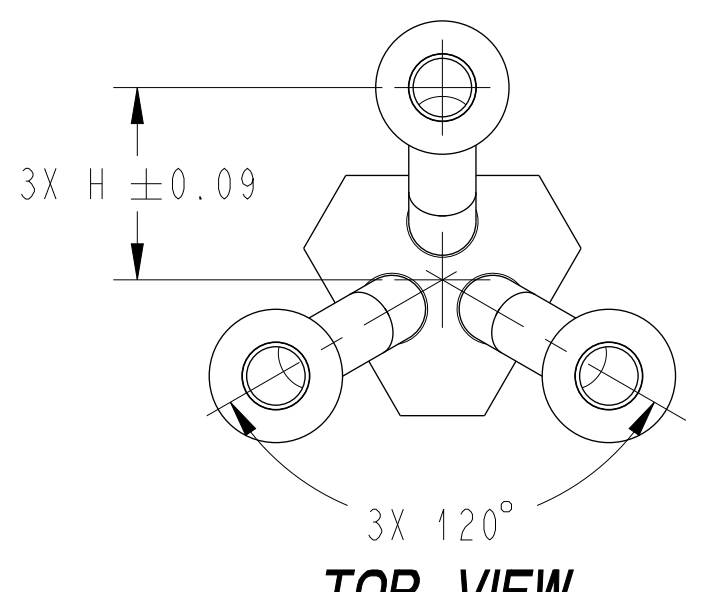
OPTION-4
ISOMETRIC VIEW

LIST OF MAJOR COMPONENTS	
ITEM	DESCRIPTION
1	3DV BODY, (121266)
2	TUBE
3	FERRULE TRI-CLAMP BW
4	ELBOW 90 DEG BPE
5	ELBOW 90 DEG BPE W/ TC
6	ELBOW 45 DEG BPE
7	ELBOW 45 DEG BPE W/ TC

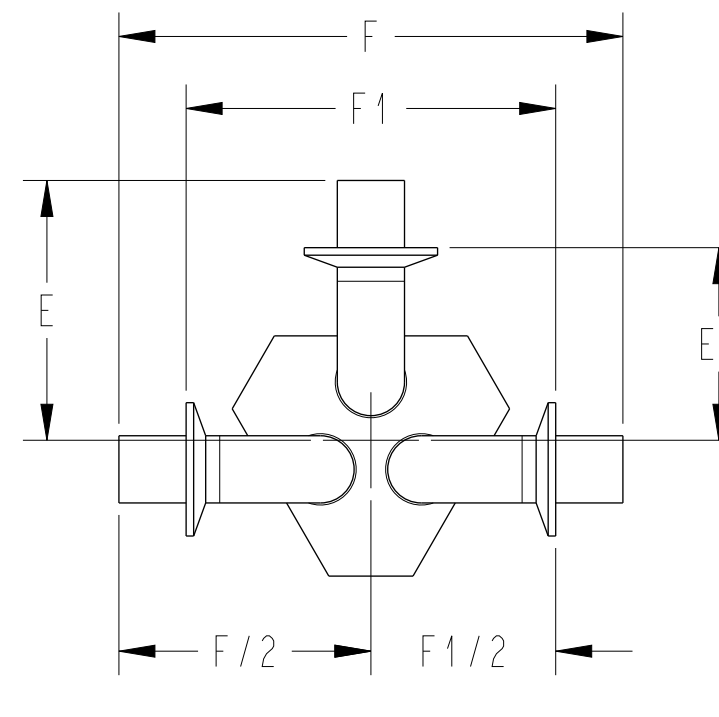
TAG NUMBERS				
	A	1	2	3
	VALVE ASSY	FIRST VALVE	SECOND VALVE	THIRD VALVE
1				



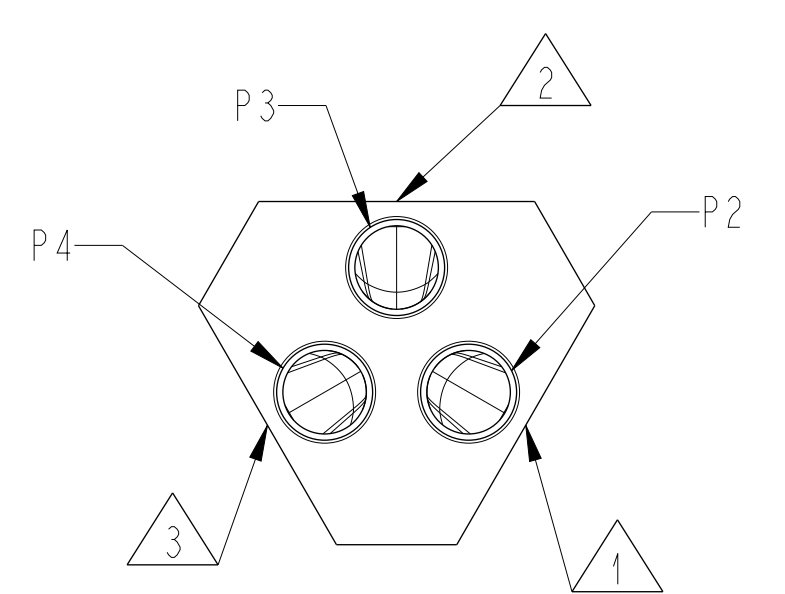
OPTION-1
TOP VIEW



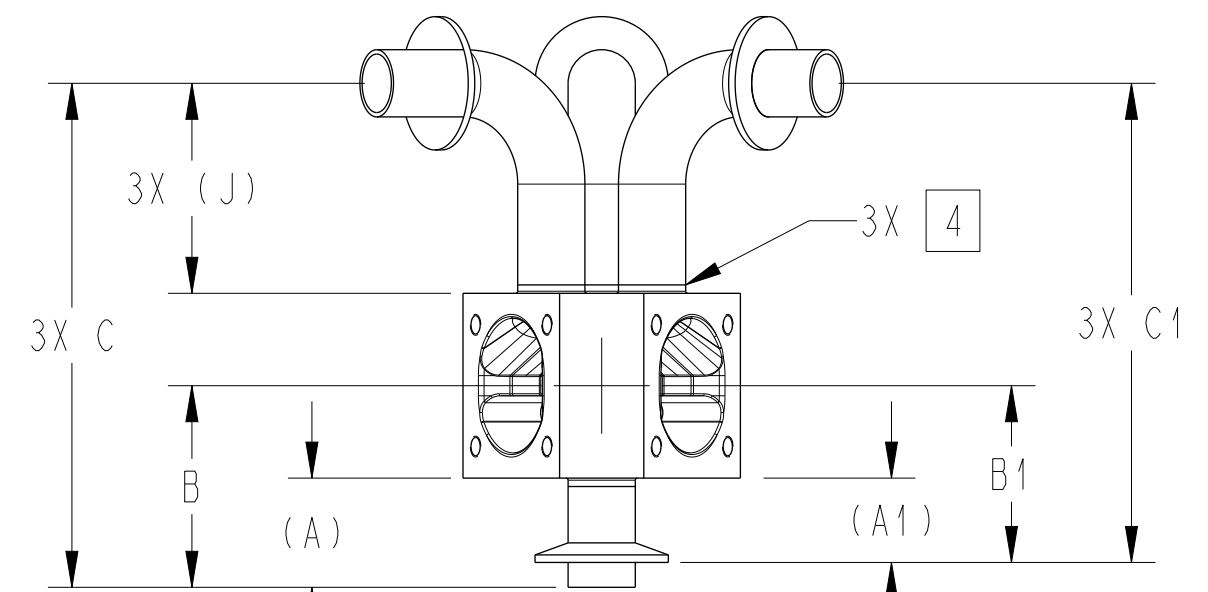
OPTION-2
TOP VIEW



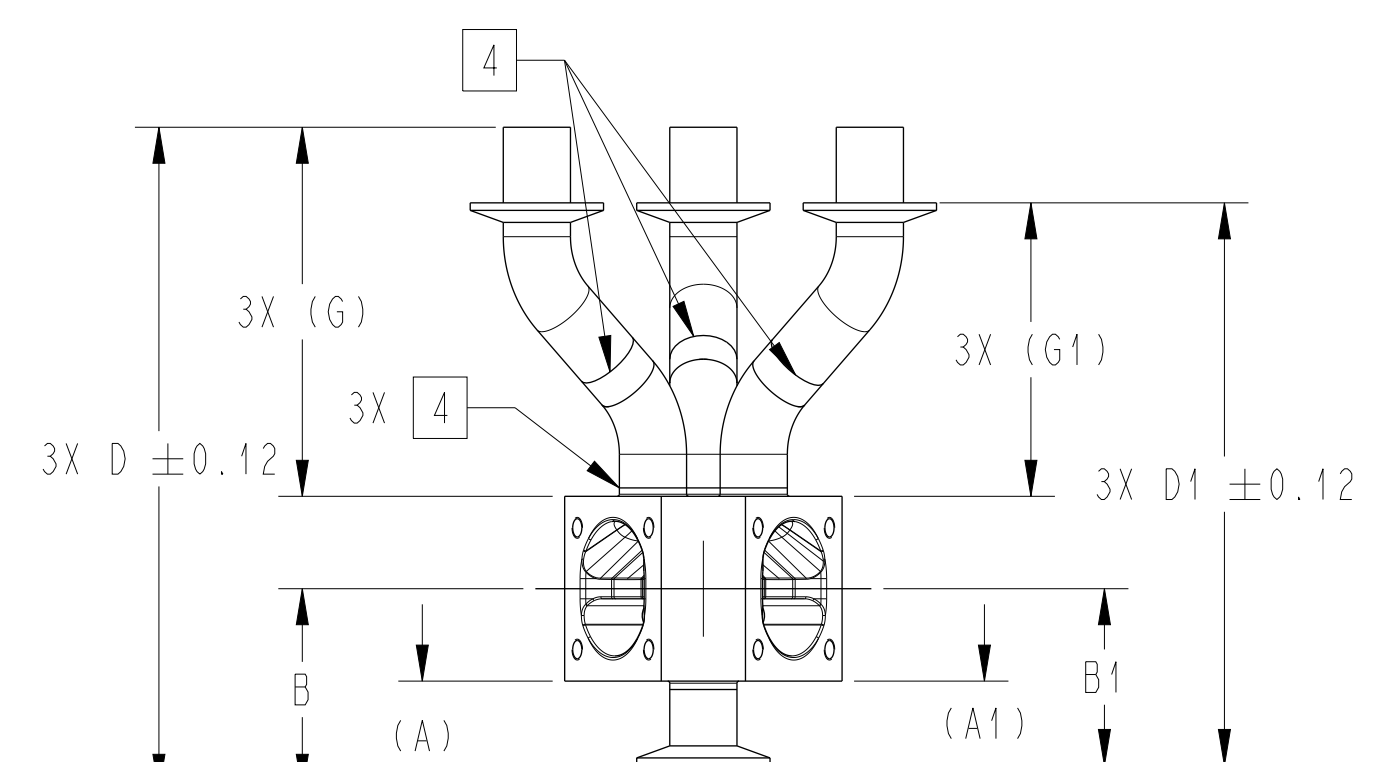
OPTION-4
TOP VIEW



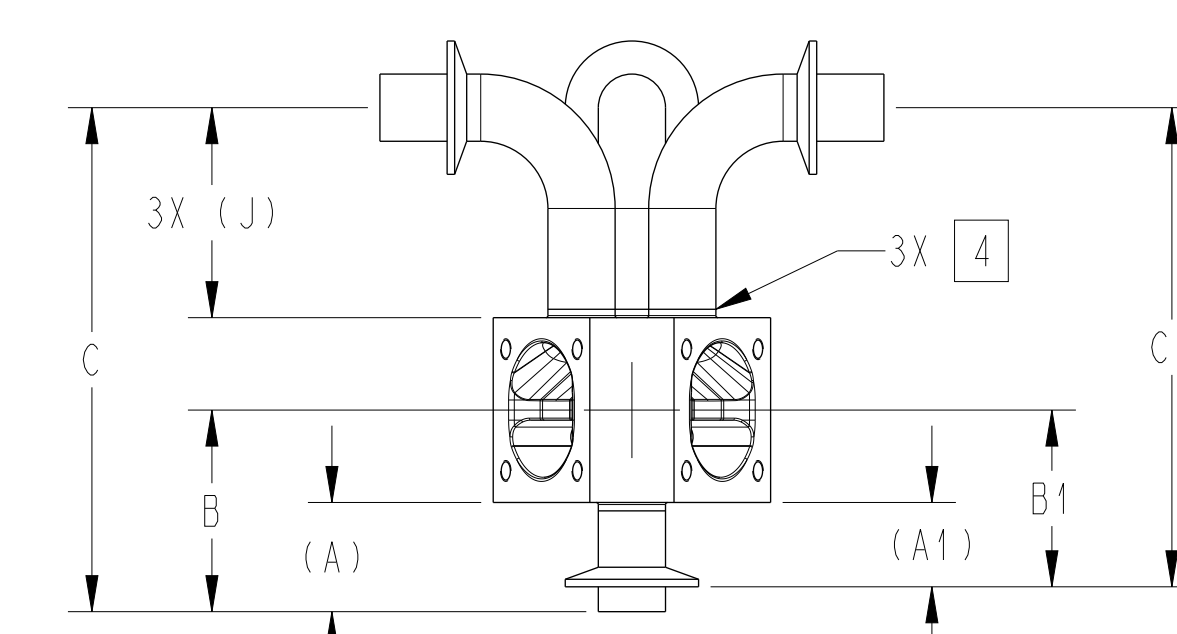
OPTION-4
TOP VIEW



OPTION-1
FRONT VIEW
INSTALLATION ORIENTATION 3

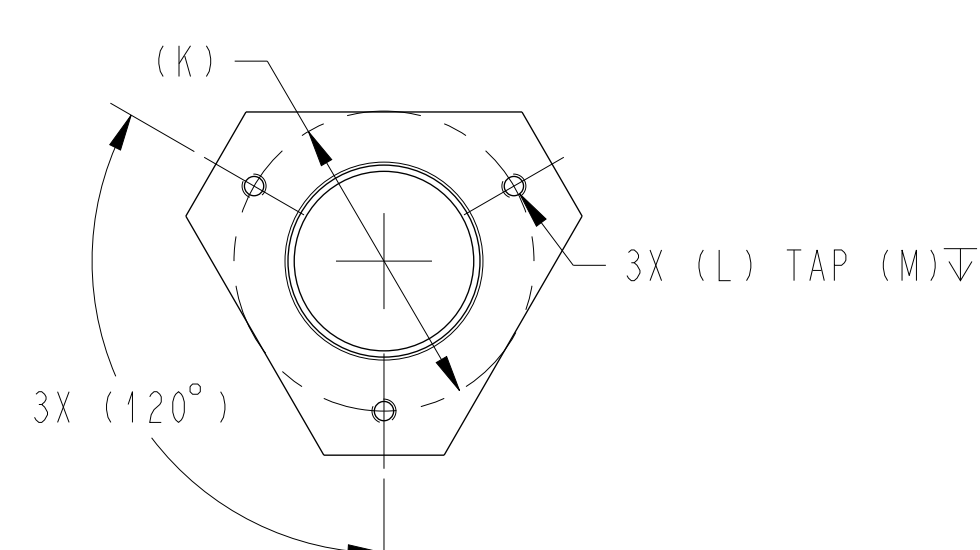


OPTION-2
FRONT VIEW
INSTALLATION ORIENTATION 3



OPTION-4
FRONT VIEW
INSTALLATION ORIENTATION 3

OPTIONAL MOUNTING HOLES



OPTION-4
BOTTOM VIEW

VALVE SIZE	(A)	(A1)	B	B1	C	C1	D	D1	E	E1	F	F1	(G)	(G1)	H	(J)	(K)	(L)	(M)
1/4" BP/BT	1.63 [41,3]	1.26 [31,9]	2.38 [60,3]	2.01 [50,9]	5.88 [149,2]	5.51 [139,8]	7.28 [184,8]	5.91 [150,0]	3.21 [81,4]	2.21 [56,0]	6.26 [158,9]	4.26 [108,1]	4.15 [105,5]	3.15 [80,1]	2.12 [54,0]	2.75 [69,9]			
3/8" BP/BT	1.63 [41,3]	1.26 [31,9]	2.38 [60,3]	2.01 [50,9]	5.88 [149,2]	5.51 [139,8]	7.28 [184,8]	6.30 [160,1]	3.21 [81,4]	2.21 [56,0]	6.26 [158,9]	4.26 [108,1]	4.55 [115,6]	3.55 [90,2]	2.29 [58,2]	2.75 [69,9]	1.75 [44,4]	1/4-20 UNC-2B	0.50 [12,7]
1/2" BP/BT	1.63 [41,3]	1.26 [31,9]	2.38 [60,3]	2.01 [50,9]	6.25 [158,8]	5.88 [149,4]	8.00 [203,1]	6.38 [161,9]	3.58 [91,0]	2.21 [56,0]	7.01 [178,0]	4.26 [108,1]	4.87 [123,7]	3.62 [92,0]	2.36 [59,9]	3.13 [79,4]			
1/2" PF	1.63 [41,3]	1.26 [31,9]	2.56 [65,1]	2.19 [55,7]	6.63 [168,3]	6.26 [158,9]	8.37 [212,6]	6.75 [171,5]	3.64 [92,3]	2.26 [57,4]	7.10 [180,4]	4.35 [110,5]	4.87 [123,7]	3.62 [92,0]	2.41 [61,3]	3.13 [79,4]	2.25 [57,1]		
3/4"	1.63 [41,3]	1.26 [31,9]	2.81 [71,4]	2.44 [62,0]	7.13 [181,0]	6.76 [171,6]	9.23 [234,3]	7.61 [193,2]	3.77 [95,7]	2.39 [60,8]	7.33 [186,2]	4.58 [116,4]	5.23 [132,7]	3.98 [101,0]	2.65 [67,4]	3.13 [79,4]	2.75 [69,8]		
1"	1.63 [41,3]	1.26 [31,9]	3.00 [76,2]	2.63 [66,8]	7.50 [190,5]	7.13 [181,1]	9.87 [250,6]	8.37 [212,6]	3.87 [98,2]	2.87 [72,8]	7.50 [190,5]	5.50 [139,7]	5.49 [139,5]	4.37 [110,9]	2.86 [72,7]	3.13 [79,4]	3.12 [79,4]		
1-1/2"	1.63 [41,3]	1.26 [31,9]	3.44 [87,3]	3.07 [77,9]	9.13 [231,8]	8.76 [222,4]	11.70 [297,1]	10.27 [260,8]	5.05 [128,2]	4.05 [102,8]	9.75 [247,6]	7.75 [196,8]	6.45 [163,8]	5.39 [136,8]	3.69 [93,7]	3.88 [98,4]	4.50 [114,3]		
2"	1.88 [47,6]	1.26 [31,9]	4.00 [101,6]	3.38 [85,9]	11.00 [279,4]	10.38 [263,7]	13.96 [354,5]	12.09 [307,0]	6.50 [165,1]	5.25 [133,3]	12.53 [318,3]	10.03 [254,8]	7.83 [199,0]	6.58 [167,2]	4.71 [119,8]	4.88 [123,8]	5.75 [146,1]	3/8-16 UNC-2B	0.75 [19,0]
2-1/2"	1.88 [47,6]	1.26 [31,9]	4.94 [125,4]	4.32 [109,7]	13.63 [346,1]	13.01 [330,3]	17.00 [431,9]	15.07 [382,8]	7.50 [190,5]	6.25 [158,8]	14.46 [367,4]	11.96 [303,9]	9.00 [228,7]	7.69 [195,4]	5.45 [138,4]	5.63 [142,9]	7.75 [196,8]		
3"	1.88 [47,6]	1.26 [31,9]	4.94 [125,4]	4.32 [109,7]	14.38 [365,1]	13.76 [349,4]	17.96 [456,2]	16.09 [408,7]	8.75 [222,3]	7.50 [190,5]	16.83 [427,5]	14.33 [364,0]	9.96 [253,0]	8.71 [221,2]	6.35 [161,2]	6.38 [161,9]	8.25 [209,5]		

- NOTES:
- "P" NUMBERS INDICATE PORT CONNECTION.
 - TUBE ENDS MEET OR EXCEED THE FOLLOWING TANGENT LENGTHS
1/4"-1-1/2"=1-1/2", 2"-3"=1-3/4"
 - VALVE MUST BE INSTALLED WITH P1 VERTICALLY (UP OR DOWN) FOR OPTIMAL DRAINABILITY.
 - WELD WILL BE LEFT IN AS WELDED CONDITION.
 - SEE DRAWING 123677 FOR OPTION-2 ELBOW FABRICATION

PURE-FLO ORDER: _____ ITEM: _____
 CUSTOMER: _____
 CUSTOMER PO: _____
 OTHER INFO: _____

THIS DOCUMENT IS THE SOLE PROPERTY OF ITT CORPORATION, OR ITS SUBSIDIARY, AND IS PROVIDED SUBJECT TO RETURN. IT IS ISSUED IN STRICT CONFIDENCE AND SHALL NOT BE REPRODUCED, OR COPIED, OR DISCLOSED IN WHOLE OR IN PART, OR USED AS THE BASIS FOR THE MANUFACTURE OR SALES OF APPARATUS OR PARTS TO WHICH THE DOCUMENT RELATES, WITHOUT THE EXPRESS WRITTEN CONSENT OF ITT CORPORATION, OR ITS SUBSIDIARY. THIS LEGEND SHALL BE MARKED ON ANY REPRODUCTION HEREOF, IN WHOLE OR IN PART. ALL RIGHTS TO THE INFORMATION AND DESIGN DISCLOSED HEREIN ARE RESERVED TO ITT CORPORATION, OR ITS SUBSIDIARY.

THIRD ANGLE PROJECTION	UNLESS OTHERWISE NOTED INCH MM	DATE	BY
	X ± 0.06 XX ± 0.06 XXX ± 0.02 X ± 1.5 XX ± 1.5 X ± 1.5	DWN 08/11/23	LFV
UNLESS OTHERWISE SPECIFIED, ALL DIMENSIONS ARE IN INCHES	X ± 1.5 XX ± 1.5 X ± 1.5	CHKD 08/16/23	KRP
		APVD 08/16/23	TJS

1/4" TO 3" 3-WAY DIVERT VALVE ASSY, OPTIONS 1, 2, & 4 TCE & AWE TABULATED	ITT www.ittpureflo.com
D A26575	SHEET REV 1 OF 1 C
MASTER DWG: A26575/C ECN# 19213	ISSUE BY: _____ CERT BY: _____