

TAG NUMBERS			
1	2	3	4
VALVE ASSY	FIRST VALVE	SECOND VALVE	THIRD VALVE

LIST OF MAJOR COMPONENTS	
ITEM	DESCRIPTION
1	3DV BODY, (121266)
2	ELBOW 45 DEG
3	ELBOW 90 DEG
4	FERRULE TRI-CLAMP
5	TUBE

P & ID

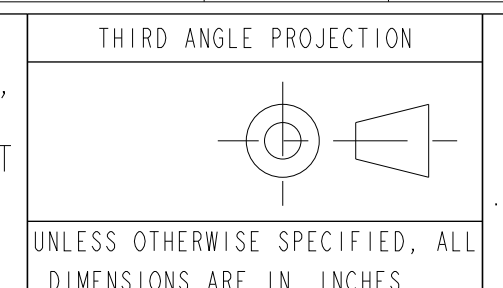
**NOTES:**

- "P" NUMBERS INDICATE PORT CONNECTION.
- TUBE ENDS MEET OR EXCEED THE FOLLOWING TANGENT LENGTHS  
1/4"-1-1/2"=1-1/2", 2"-3"=1-3/4"
- VALVE MUST BE INSTALLED WITH P1 VERTICALLY (UP OR DOWN) FOR OPTIMAL DRAINABILITY.
- ALL ELBOW WELD WILL BE IN AS WELDED CONDITION, EXCEPT WHERE CONNECTED TO FERRULE.

VALVE SIZE	A	A1	B	B1	C	C1	D	E	E1	H	K	L	M
1/4" BP/BT	1.63 [41,3]	1.26 [31,9]	(2.38) [60,3]	(2.01) [50,9]	(5.88) [149,2]	(5.51) [139,8]	(5.05) [128,2]	3.46 [88,0]	2.46 [62,6]	2.75 [69,9]			
3/8" BP/BT	1.63 [41,3]	1.26 [31,9]	(2.38) [60,3]	(2.01) [50,9]	(5.88) [149,2]	(5.51) [139,8]	(5.38) [136,6]	3.86 [98,1]	2.86 [72,7]	2.75 [69,9]	1.75 [44,4]	1/4-20 UNC-2B	0.50 [12,7]
1/2" BP/BT	1.63 [41,3]	1.26 [31,9]	(2.38) [60,3]	(2.01) [50,9]	(6.25) [158,8]	(5.88) [149,4]	(5.69) [144,5]	4.02 [102,0]	3.02 [76,6]	3.13 [79,4]			
1/2" PF	1.63 [41,3]	1.26 [31,9]	(2.56) [65,1]	(2.19) [55,7]	(6.63) [168,3]	(6.26) [158,9]	(5.78) [146,9]	3.99 [101,3]	2.99 [75,9]	3.13 [79,4]	2.25 [57,1]		
3/4"	1.63 [41,3]	1.26 [31,9]	(2.81) [71,4]	(2.44) [62,0]	(7.13) [181,0]	(6.76) [171,6]	(6.23) [158,3]	4.03 [102,4]	3.03 [77,0]	3.13 [79,4]	2.75 [69,8]	1/4-20 UNC-2B	0.50 [12,7]
1"	1.63 [41,3]	1.26 [31,9]	(3.00) [76,2]	(2.63) [66,8]	(7.50) [190,5]	(7.13) [181,1]	(6.62) [168,2]	4.25 [107,9]	3.25 [82,5]	3.13 [79,4]	3.12 [79,4]		
1-1/2"	1.63 [41,3]	1.26 [31,9]	(3.44) [87,3]	(3.07) [77,9]	(9.13) [231,8]	(8.76) [222,4]	(8.87) [225,3]	5.09 [129,4]	4.09 [104,0]	3.88 [98,4]	4.50 [114,3]		
2"	1.88 [47,6]	1.26 [31,9]	(4.00) [101,6]	(3.38) [85,9]	(11.00) [279,4]	(10.38) [263,7]	(11.51) [292,2]	6.50 [165,0]	5.74 [145,7]	4.88 [123,8]	5.75 [146,1]	3/8-16 UNC-2B	0.75 [19,0]
2-1/2"	1.88 [47,6]	1.26 [31,9]	(4.94) [125,4]	(4.32) [109,7]	(13.63) [346,1]	(13.01) [330,3]	(13.44) [341,4]	7.50 [190,5]	6.67 [169,4]	5.63 [142,9]	7.75 [196,8]	1/2-13 UNC-2B	1.00 [25,4]
3"	1.88 [47,6]	1.26 [31,9]	(4.94) [125,4]	(4.32) [109,7]	(14.38) [365,1]	(13.76) [349,4]	(15.81) [401,5]	8.75 [222,3]	8.60 [218,5]	6.38 [161,9]	8.25 [209,5]		

PURE-FLO ORDER: - ITEM: -  
 CUSTOMER: -  
 CUSTOMER PO: -  
 OTHER INFO: -

THIS DOCUMENT IS THE SOLE PROPERTY OF ITT CORPORATION, OR ITS SUBSIDIARY, AND IS PROVIDED SUBJECT TO RETURN. IT IS ISSUED IN STRICT CONFIDENCE AND SHALL NOT BE REPRODUCED, OR COPIED, OR DISCLOSED IN WHOLE OR IN PART, OR USED AS THE BASIS FOR THE MANUFACTURE OR SALES OF APPARATUS OR PARTS TO WHICH THE DOCUMENT RELATES, WITHOUT THE EXPRESS WRITTEN CONSENT OF ITT CORPORATION, OR ITS SUBSIDIARY. THIS LEGEND SHALL BE MARKED ON ANY REPRODUCTION HEREOF, IN WHOLE OR IN PART. ALL RIGHTS TO THE INFORMATION AND DESIGN DISCLOSED HEREIN ARE RESERVED TO ITT CORPORATION, OR ITS SUBSIDIARY.



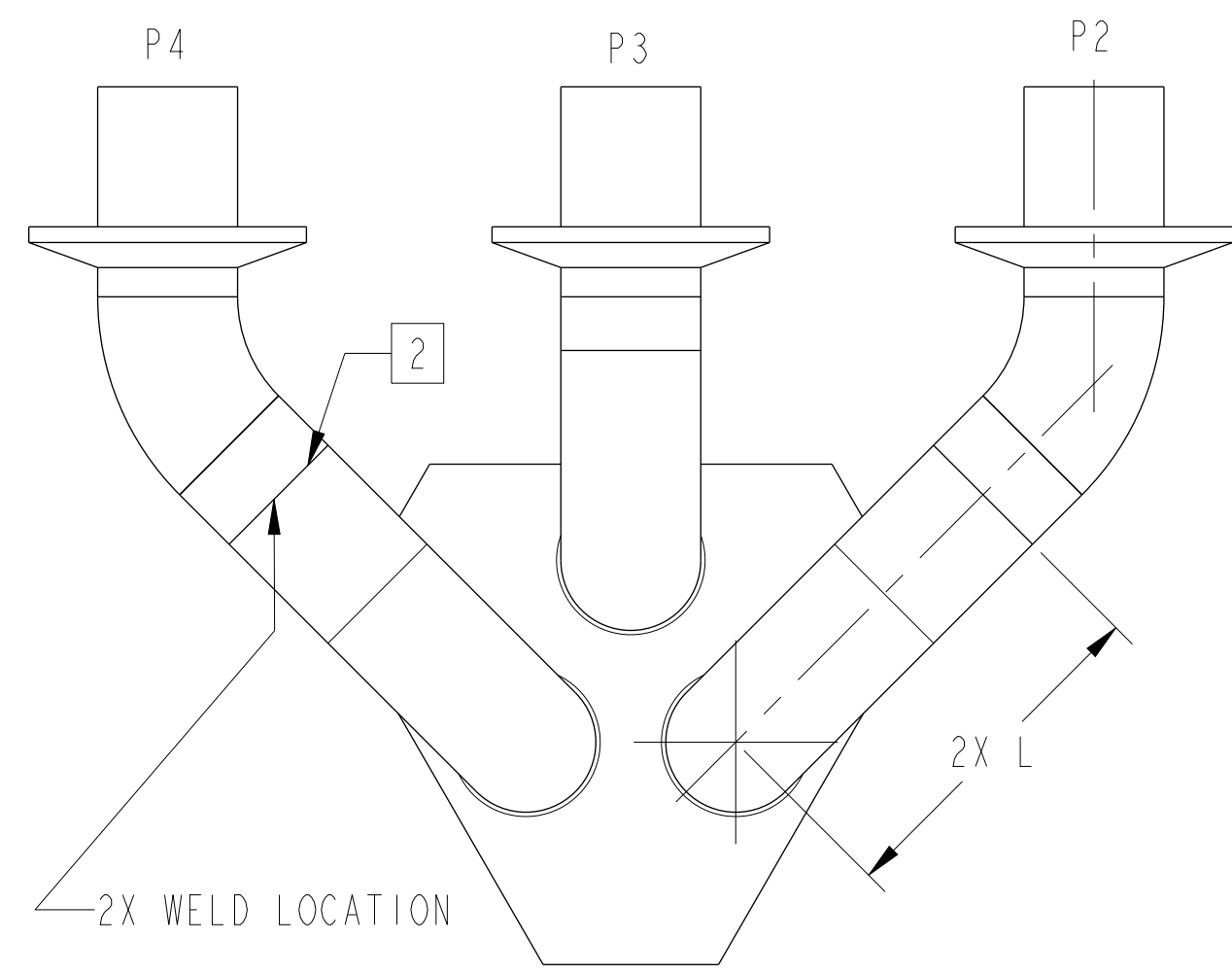
UNLESS OTHERWISE NOTED	
INCH	MM
X : ±0.06	X : ±1.5
.XX : ±0.06	.XX : ±1.5
.XXX : ±0.02	.XX : ±1.5
X/XX : ±0.02	X : ±1.5
X : ±1.5	X : ±1.5

DATE	BY
08/11/23	LFV
08/16/23	KRP
08/16/23	TJS

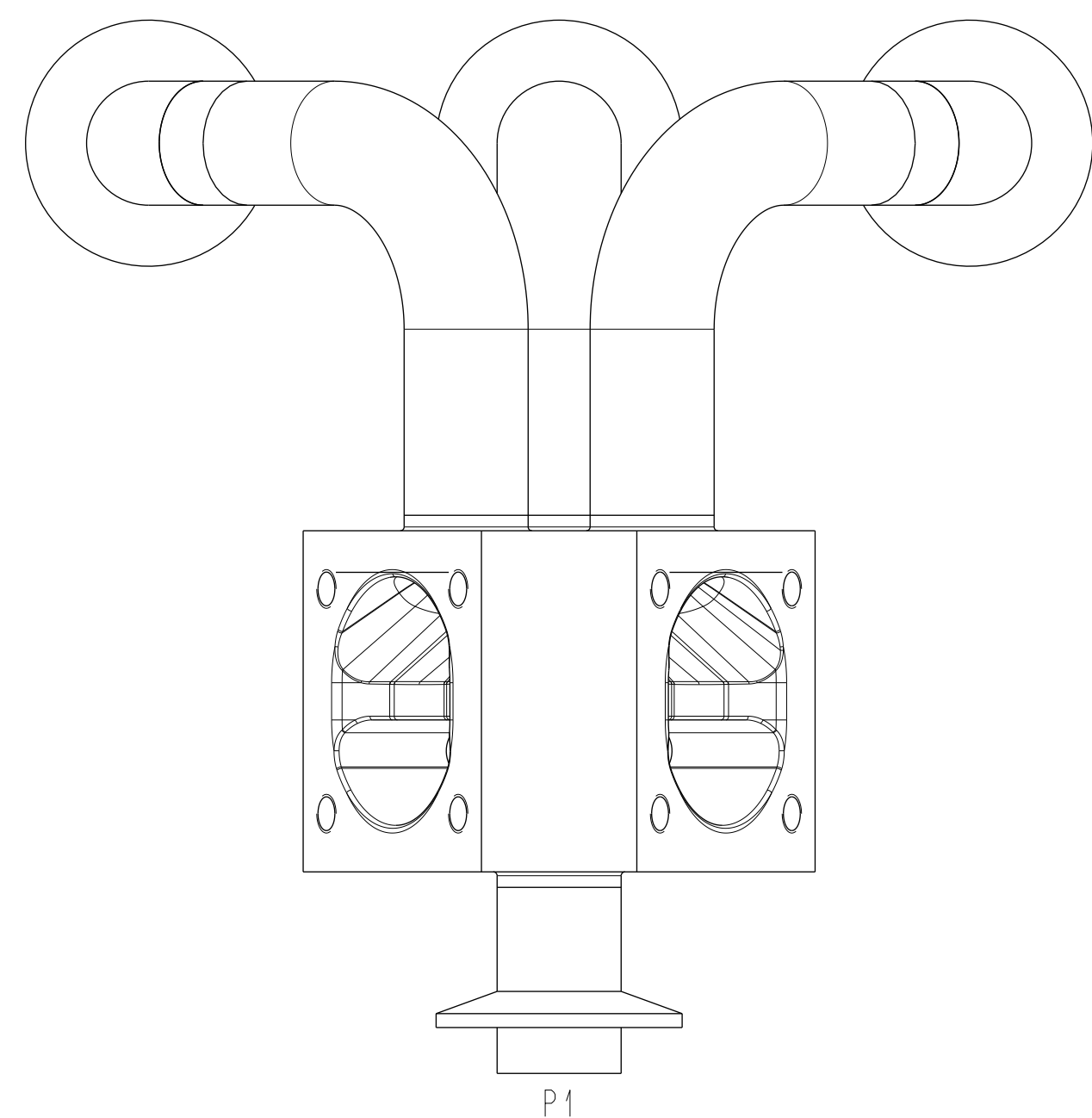
1/4" TO 3" 3-WAY DIVERT VALVE  
 ASSY. OPTION 3  
 TCE, AWE TABULATED  
 MASTER DWG: A26770/E ECN# 19213

**ITT**  
 www.ittpureflo.com  
 SHEET 1 OF 2  
 REV E  
 A26770  
 ISSUE BY: - CERT BY: -

VALVE SIZE	L
1/2" BP/BT	(2.35) [59,6]
1/2" PF	(2.35) [59,6]
3/4"	(2.50) [63,5]
1"	(2.50) [63,5]
1-1/2"	(3.25) [82,5]
2"	(4.25) [107,9]
2-1/2"	(5.00) [127,0]
3"	(5.75) [146,0]



TOP VIEW



FRONT VIEW

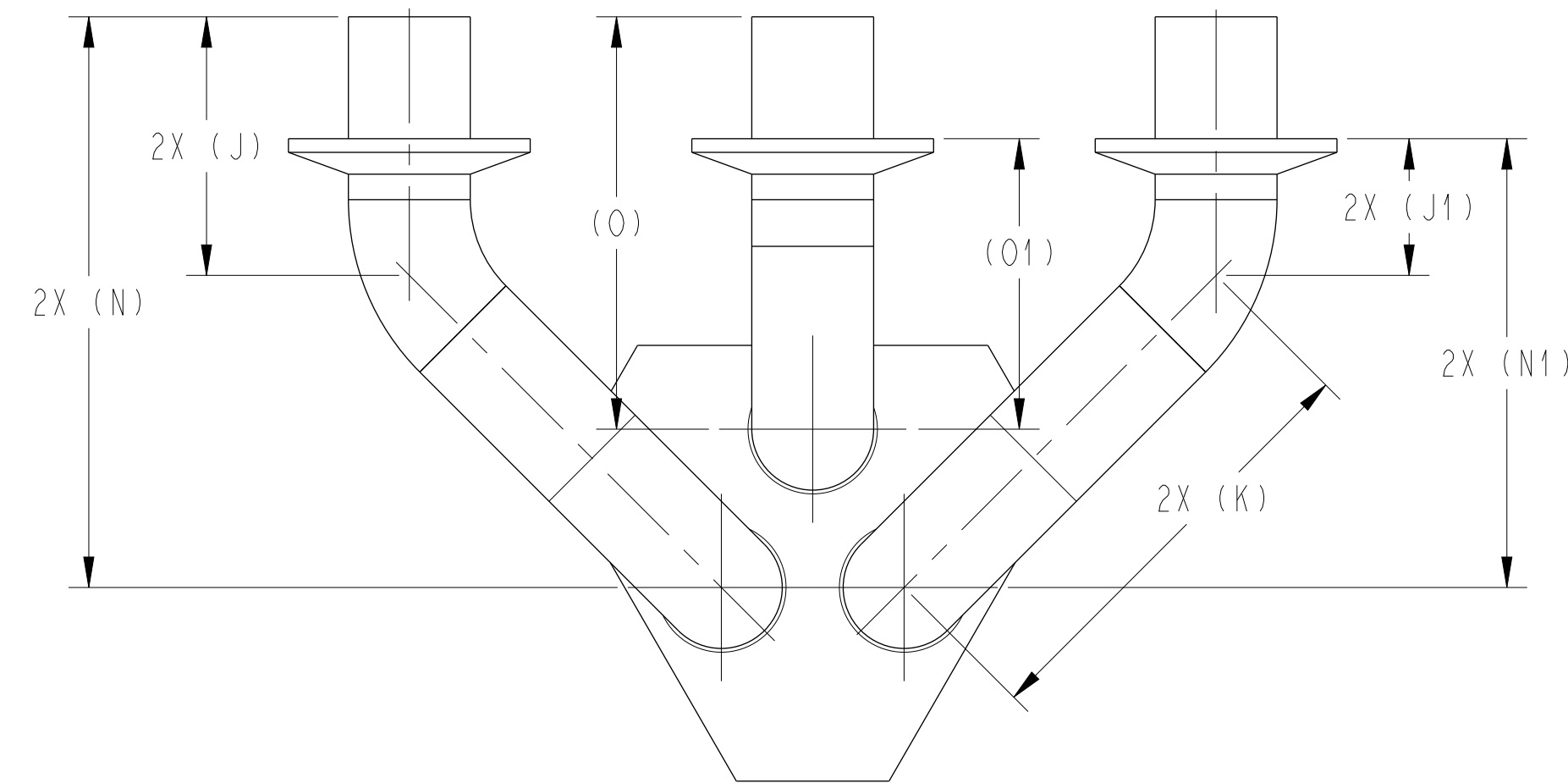
**CONSTRUCTION REFERENCE C1**

WELDS ARE IN THE AS WELDED CONDITION

P2 & P4 CONSTRUCTION DETAIL

P2 & P4 FABRICATION DETAIL FOR USE WHEN WELDS ARE TO BE LEFT IN THE AS WELDED CONDITION

VALVE SIZE	J	J1	K	N	N1	O	O1
1/4" BP/BT	1.73 [44,0]	0.73 [18,6]	2.86 [72,6]	3.75 [95,4]	2.75 [70,0]	2.88 [73,2]	1.88 [47,8]
3/8" BP/BT	1.97 [49,9]	0.97 [24,5]	3.09 [78,5]	4.15 [105,5]	3.15 [80,1]	3.28 [83,3]	2.28 [57,9]
1/2" BP/BT	1.97 [49,9]	0.97 [24,5]	3.31 [84,1]	4.31 [109,4]	3.31 [84,0]	3.44 [87,3]	2.44 [61,9]
1/2" PF	1.97 [49,9]	0.97 [24,5]	3.31 [84,1]	4.31 [109,4]	3.31 [84,0]	3.35 [85,2]	2.35 [59,8]
3/4"	1.97 [49,9]	0.97 [24,5]	3.47 [88,0]	4.42 [112,2]	3.42 [86,8]	3.26 [82,9]	2.26 [57,5]
1"	2.12 [53,9]	1.12 [28,5]	3.62 [92,0]	4.68 [118,9]	3.68 [93,5]	3.38 [85,9]	2.38 [60,5]
1-1/2"	2.43 [61,8]	1.43 [36,4]	4.68 [118,9]	5.74 [145,9]	4.74 [120,5]	3.79 [96,4]	2.79 [71,0]
2"	3.13 [79,6]	2.37 [60,3]	5.99 [152,2]	7.37 [187,2]	6.61 [167,9]	4.75 [120,5]	3.99 [101,2]
2-1/2"	3.51 [89,2]	2.68 [68,2]	7.05 [179,2]	8.50 [215,9]	7.67 [194,8]	5.50 [139,7]	4.67 [118,6]
3"	4.26 [108,3]	4.11 [104,5]	8.11 [206,1]	10.00 [254,0]	9.85 [250,2]	6.25 [158,8]	6.10 [155,0]



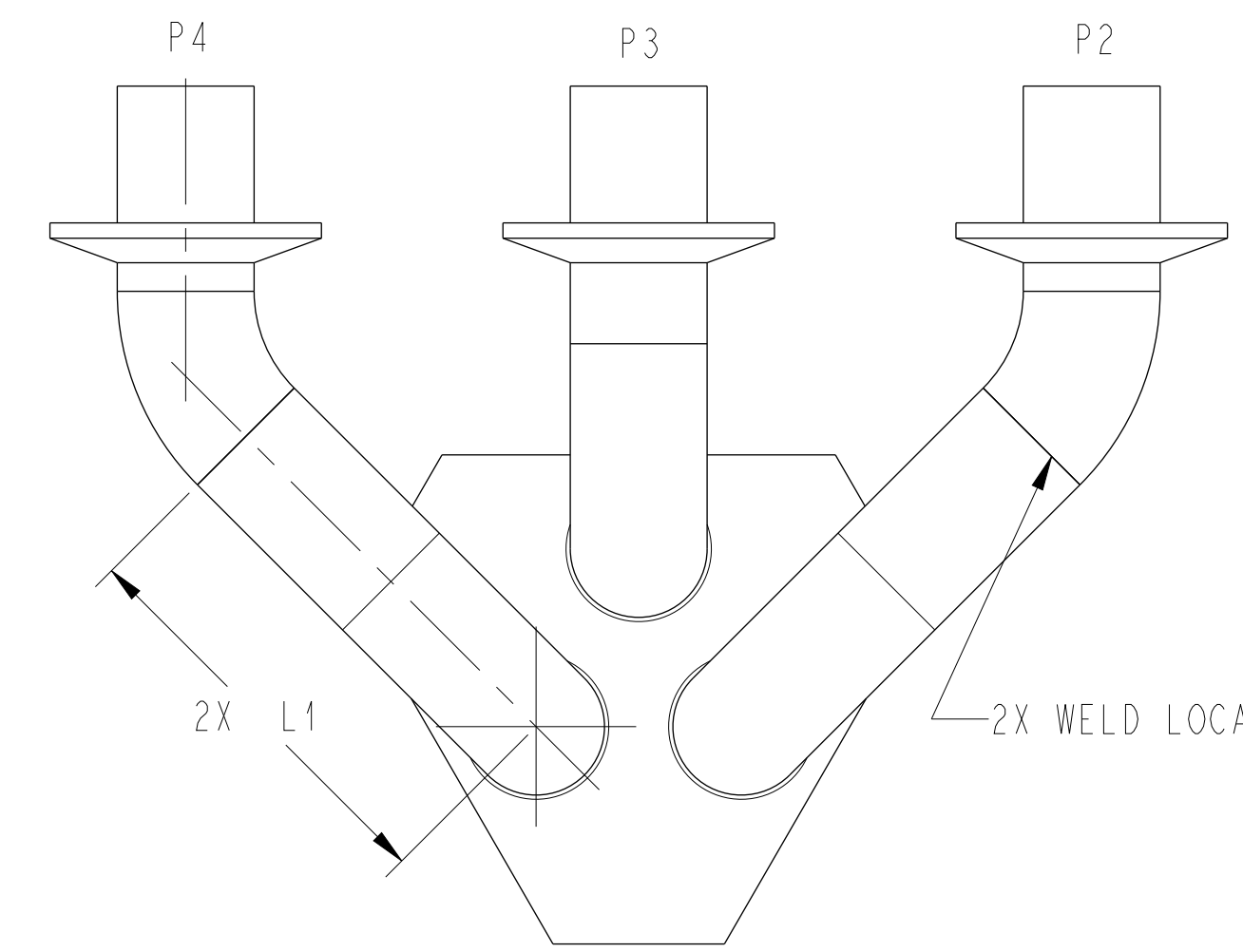
TOP VIEW

GENERAL DIMENSIONS

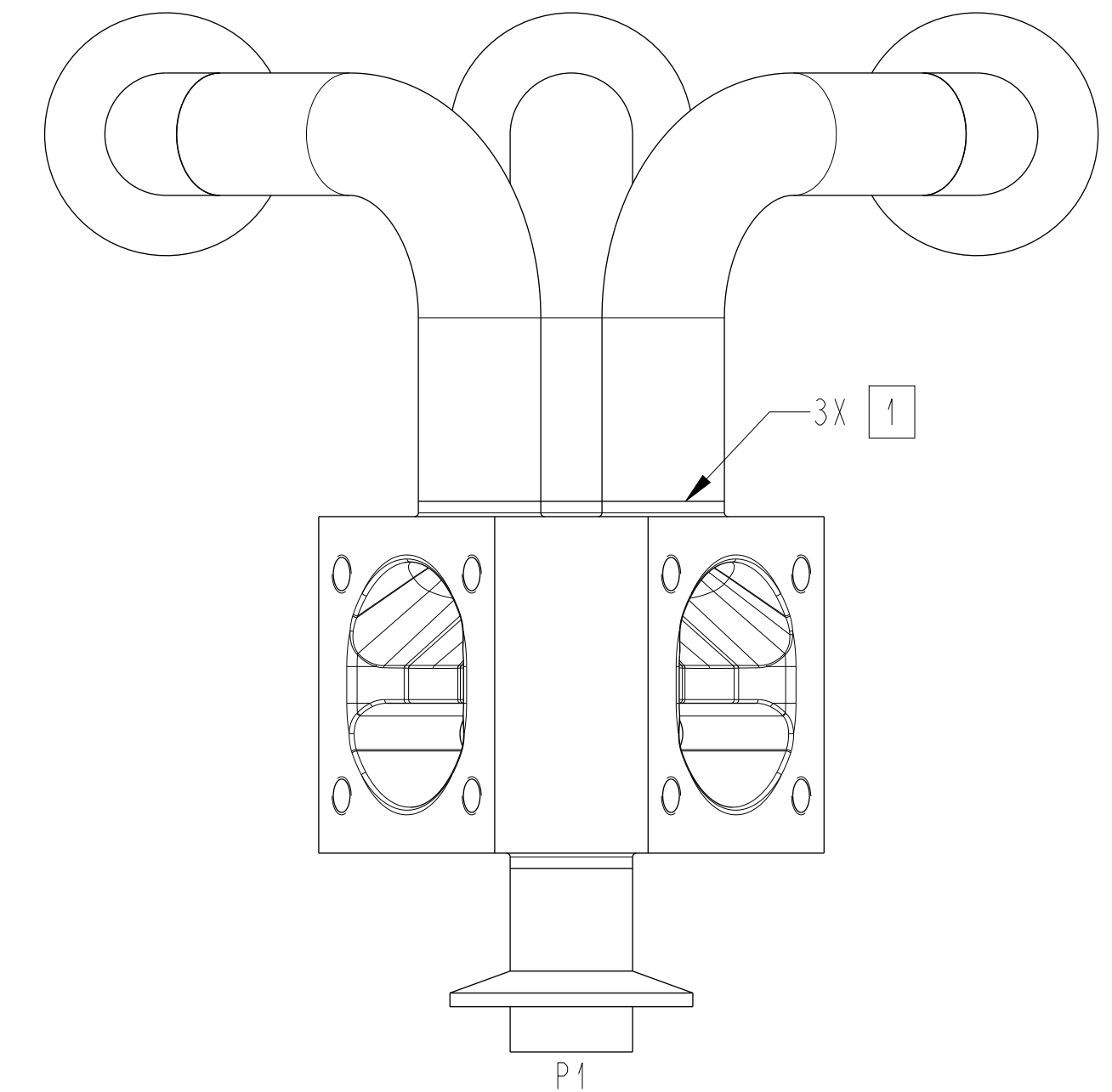
ELBOW DETAIL

NOTES:

- FOR TUBE SIZE 1/4" - 3/4" WELD WILL BE IN AS WELDED CONDITION.
- ALL ELBOW WELD WILL BE IN AS WELDED CONDITION, EXCEPT WHERE CONNECTED TO FERRULE.
- THE "ACCESSIBLE INTERIOR WELD BEADS REMOVED" (BR) SELECTION IS NOT AVAILABLE FOR TUBE SIZES 1/2" AND 3/4".
- FOR 1/4" & 3/8" TUBE SIZE REFER TO GENERAL DIMENSIONS FOR BENT TUBE SEE DRAWING 121713.



TOP VIEW



FRONT VIEW

**CONSTRUCTION REFERENCE C2**

REMOVED WELDS  
TO BE USED WHEN "ACCESSIBLE INTERIOR  
WELD BEADS REMOVED" (BR) SELECTION IS MADE

P2 & P4 CONSTRUCTION DETAIL

VALVE SIZE	L1
1/4" BP/BT	N/A [4]
3/8" BP/BT	N/A [4]
1/2" BP/BT	N/A [3]
1/2" PF	N/A [3]
3/4"	N/A [3]
1"	3.00 [76,2]
1-1/2"	3.75 [95,3]
2"	4.75 [120,7]
2-1/2"	5.50 [139,7]
3"	6.25 [158,8]

PURE-FLO ORDER: \_\_\_\_\_ ITEM: \_\_\_\_\_  
 CUSTOMER: \_\_\_\_\_  
 CUSTOMER PO: \_\_\_\_\_  
 OTHER INFO: \_\_\_\_\_

THIS DOCUMENT IS THE SOLE PROPERTY OF ITT CORPORATION, OR ITS SUBSIDIARY, AND IS PROVIDED SUBJECT TO RETURN. IT IS ISSUED IN STRICT CONFIDENCE AND SHALL NOT BE REPRODUCED, OR COPIED, OR DISCLOSED IN WHOLE OR IN PART, OR USED AS THE BASIS FOR THE MANUFACTURE OR SALES OF APPARATUS OR PARTS TO WHICH THE DOCUMENT RELATES, WITHOUT THE EXPRESS WRITTEN CONSENT OF ITT CORPORATION, OR ITS SUBSIDIARY. THIS LEGEND SHALL BE MARKED ON ANY REPRODUCTION HEREOF, IN WHOLE OR IN PART. ALL RIGHTS TO THE INFORMATION AND DESIGN DISCLOSED HEREIN ARE RESERVED TO ITT CORPORATION, OR ITS SUBSIDIARY.

THIRD ANGLE PROJECTION

UNLESS OTHERWISE SPECIFIED, ALL DIMENSIONS ARE IN INCHES

UNLESS OTHERWISE NOTED	
INCH	MM
X : ± 0.06	X : ± 1.5
.XX : ± 0.06	.XX : ± 1.5
.XXX : ± 0.02	.XXX : ± 0.5
X/XX : ± 1/16	X/XX : ± 1°
X° : ± 1°	

DATE	BY	DESCRIPTION
08/11/23	LFV	1/4" TO 3" 3-WAY DIVERT VALVE ASSY. OPTION 3
08/16/23	KRP	TCE, AWE TABULATED
08/16/23	TJS	MASTER DWG: A26770/E

ITT  
www.ittpureflo.com

D A26770

SHEET 2 OF 2  
REV E

ISSUE BY: \_\_\_\_\_ CERT BY: \_\_\_\_\_