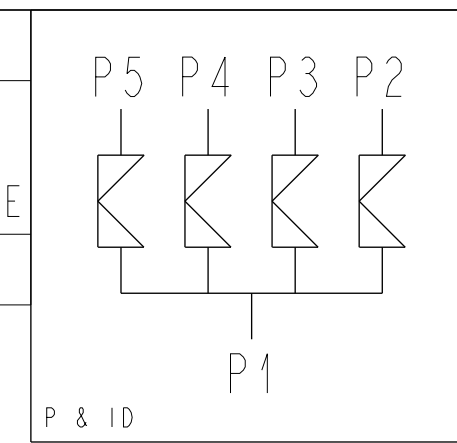


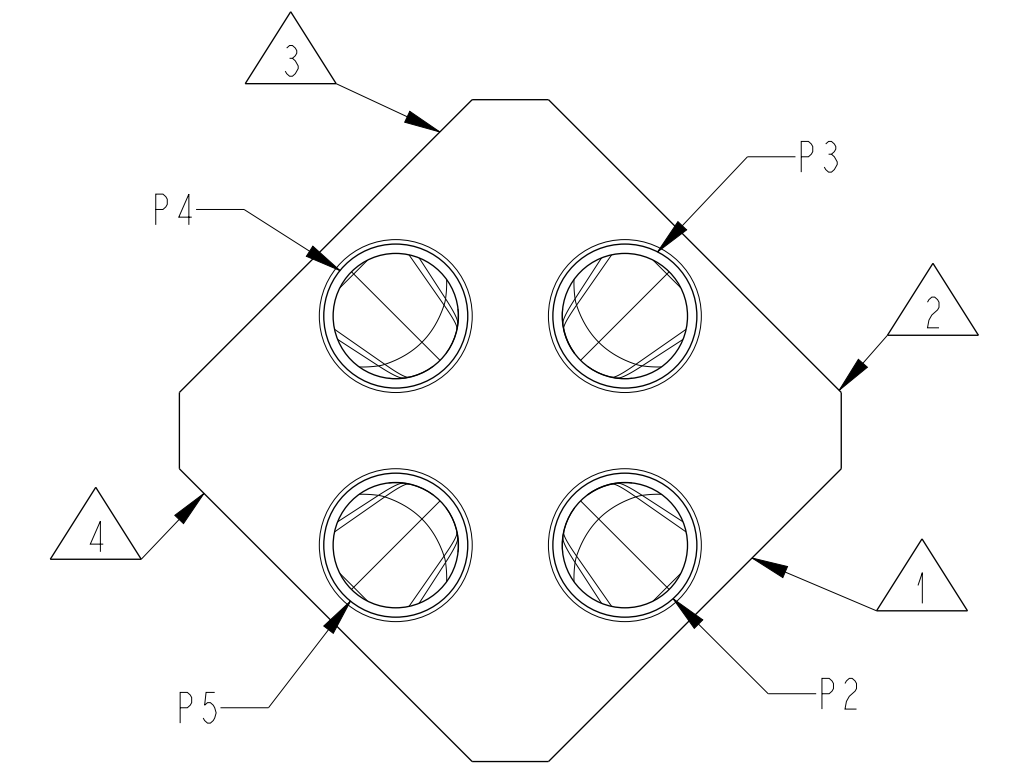
VALVE SIZE	A	A1	B	B1	C	C1	D	E	E1	F	(K)	(L)	(M)
1/4" BP/BT	1.63 [41,3]	1.26 [31,9]	2.38 [60,3]	2.01 [50,9]	5.88 [149,2]	5.51 [139,8]	15.13 [384,4]	4.26 [108,1]	3.26 [82,7]	2.75 [69,9]	2.00 [50,8]	1/4-20 UNC-2B	0.50 [12,7]
3/8" BP/BT	1.63 [41,3]	1.26 [31,9]	2.38 [60,3]	2.01 [50,9]	5.88 [149,2]	5.51 [139,8]	16.12 [409,5]	4.65 [118,2]	3.65 [92,8]	2.75 [69,9]			
1/2" BP/BT	1.63 [41,3]	1.26 [31,9]	2.38 [60,3]	2.01 [50,9]	6.25 [158,8]	5.88 [149,4]	17.05 [433,0]	4.81 [122,1]	3.81 [96,7]	3.13 [79,4]			
1/2" PF	1.63 [41,3]	1.26 [31,9]	2.56 [65,1]	2.19 [55,7]	6.63 [168,3]	6.26 [158,9]	17.76 [451,1]	4.93 [125,1]	3.93 [99,7]	3.13 [79,4]	2.00 [50,8]	1/4-20 UNC-2B	0.50 [12,7]
3/4"	1.63 [41,3]	1.26 [31,9]	2.81 [71,4]	2.44 [62,0]	7.13 [181,0]	6.76 [171,6]	18.82 [478,0]	5.10 [129,6]	4.10 [104,2]	3.13 [79,4]			
1"	1.63 [41,3]	1.26 [31,9]	3.00 [76,2]	2.63 [66,8]	7.50 [190,5]	7.13 [181,1]	20.14 [511,5]	5.48 [139,1]	4.48 [113,7]	3.13 [79,4]			
1-1/2"	1.63 [41,3]	1.26 [31,9]	3.44 [87,3]	3.07 [77,9]	9.13 [231,8]	8.76 [222,4]	26.63 [676,3]	6.87 [174,5]	5.87 [149,1]	3.88 [98,4]	6.00 [152,4]	3/8-16 UNC-2B	0.75 [19,0]
2"	1.88 [47,6]	1.26 [31,9]	4.00 [101,6]	3.38 [85,9]	11.00 [279,4]	10.38 [263,7]	34.43 [874,4]	8.73 [221,7]	7.48 [190,0]	4.88 [123,8]			
2-1/2"	1.88 [47,6]	1.26 [31,9]	4.94 [125,4]	4.32 [109,7]	13.63 [346,1]	13.01 [330,3]	40.80 [1036,2]	10.10 [256,6]	8.85 [224,9]	5.63 [142,9]			
3"	1.88 [47,6]	1.26 [31,9]	4.94 [125,4]	4.32 [109,7]	14.38 [365,1]	13.76 [349,4]	47.17 [1198,2]	11.48 [291,5]	10.23 [259,7]	6.38 [161,9]	9.00 [228,6]	1/2-13 UNC-2B	1.00 [25,4]

TAG NUMBERS				
(A)	(1)	(2)	(3)	(4)
VALVE ASSY	FIRST VALVE	SECOND VALVE	THIRD VALVE	FOURTH VALVE
1				

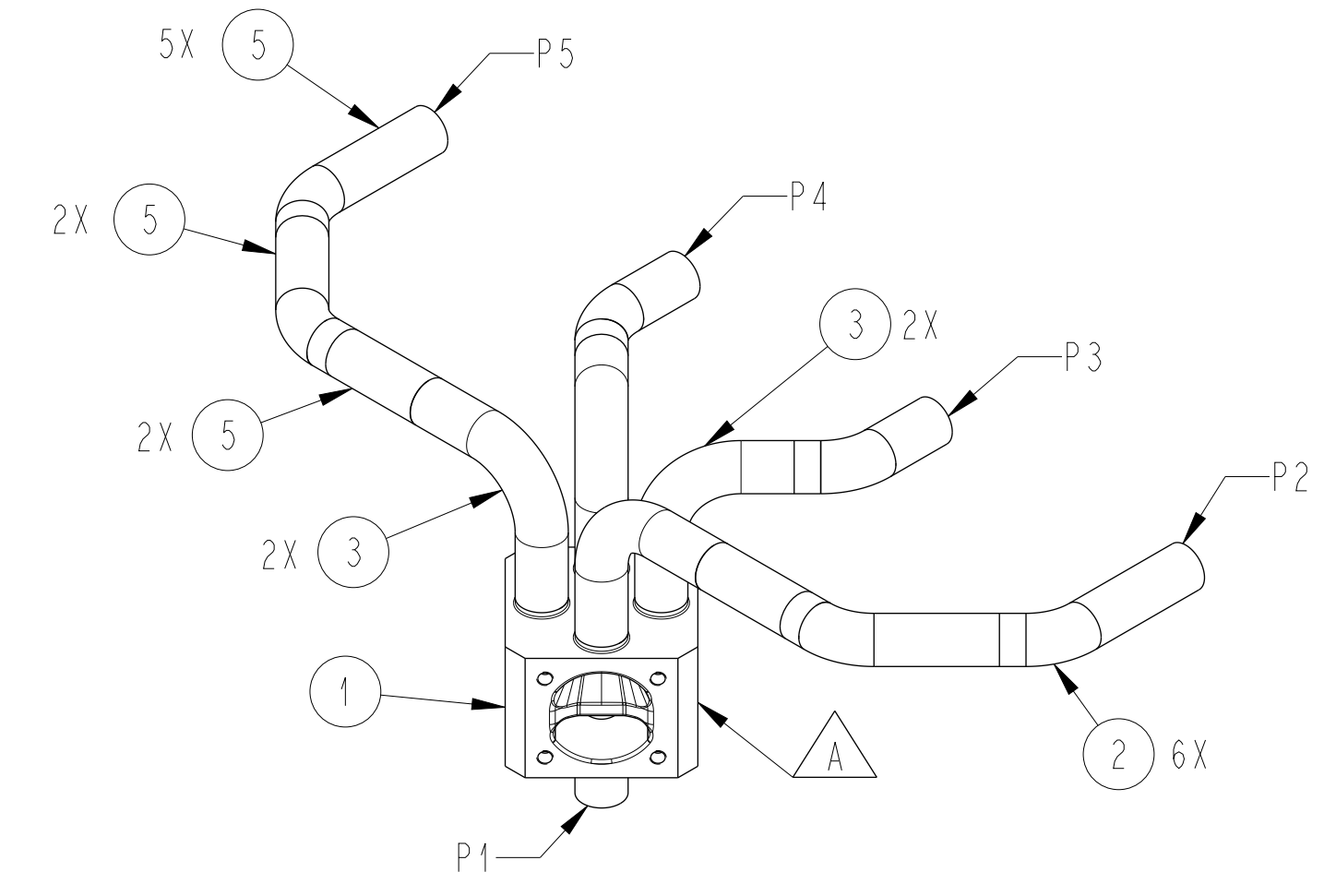


LIST OF MAJOR COMPONENTS	
ITEM	DESCRIPTION
1	4DV BODY, (121247)
2	ELBOW 45 DEG BPE
3	ELBOW 90 DEG BPE
4	FERRULE TRI-CLAMP
5	TUBING

- NOTES:
- "P" NUMBERS INDICATE PORT CONNECTION.
  - TUBE ENDS MEET OR EXCEED THE FOLLOWING TANGENT LENGTHS  
1/4"-1-1/2"=1-1/2", 2"-3"=1-3/4"
  - VALVE MUST BE INSTALLED WITH P1 VERTICALLY (UP OR DOWN) FOR OPTIMAL DRAINABILITY.
  - ALL ELBOW WELD WILL BE IN AS WELDED CONDITION, EXCEPT WHERE CONNECTED TO FERRULE.

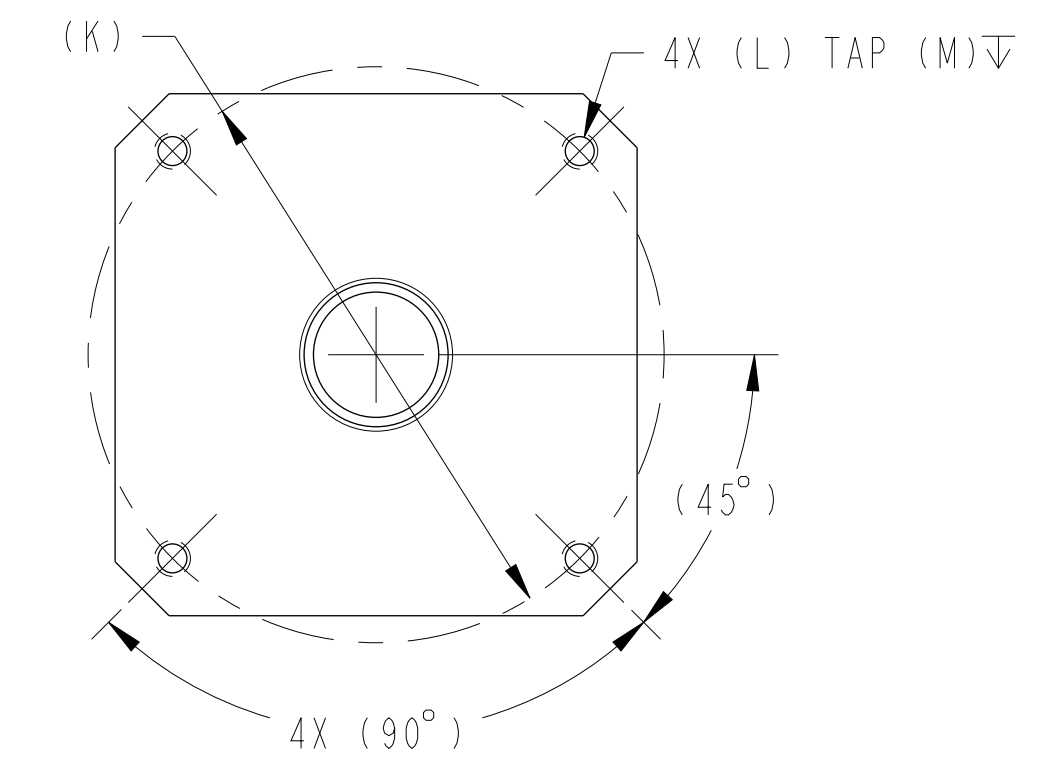


TOP VIEW  
BODY ONLY

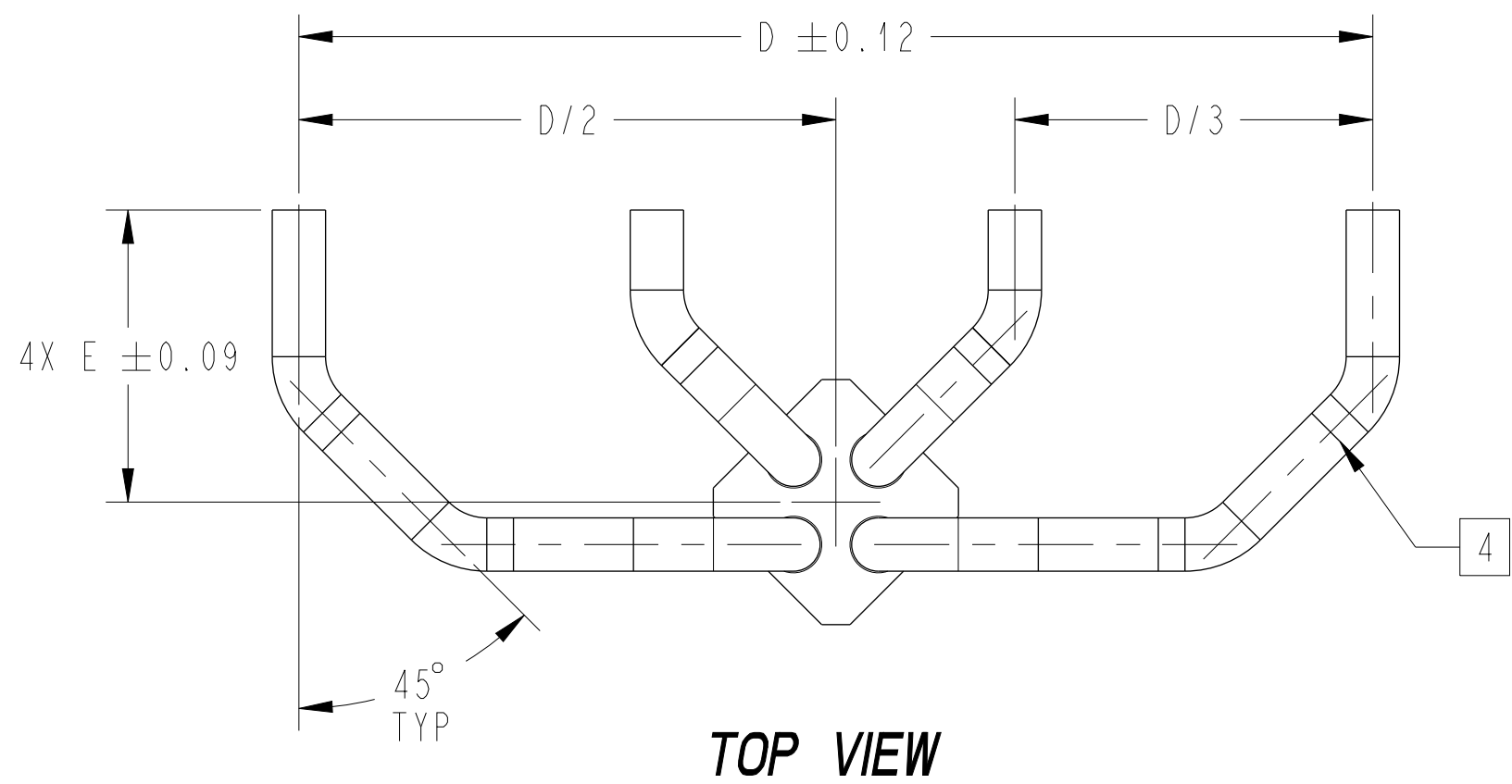


ISOMETRIC VIEW

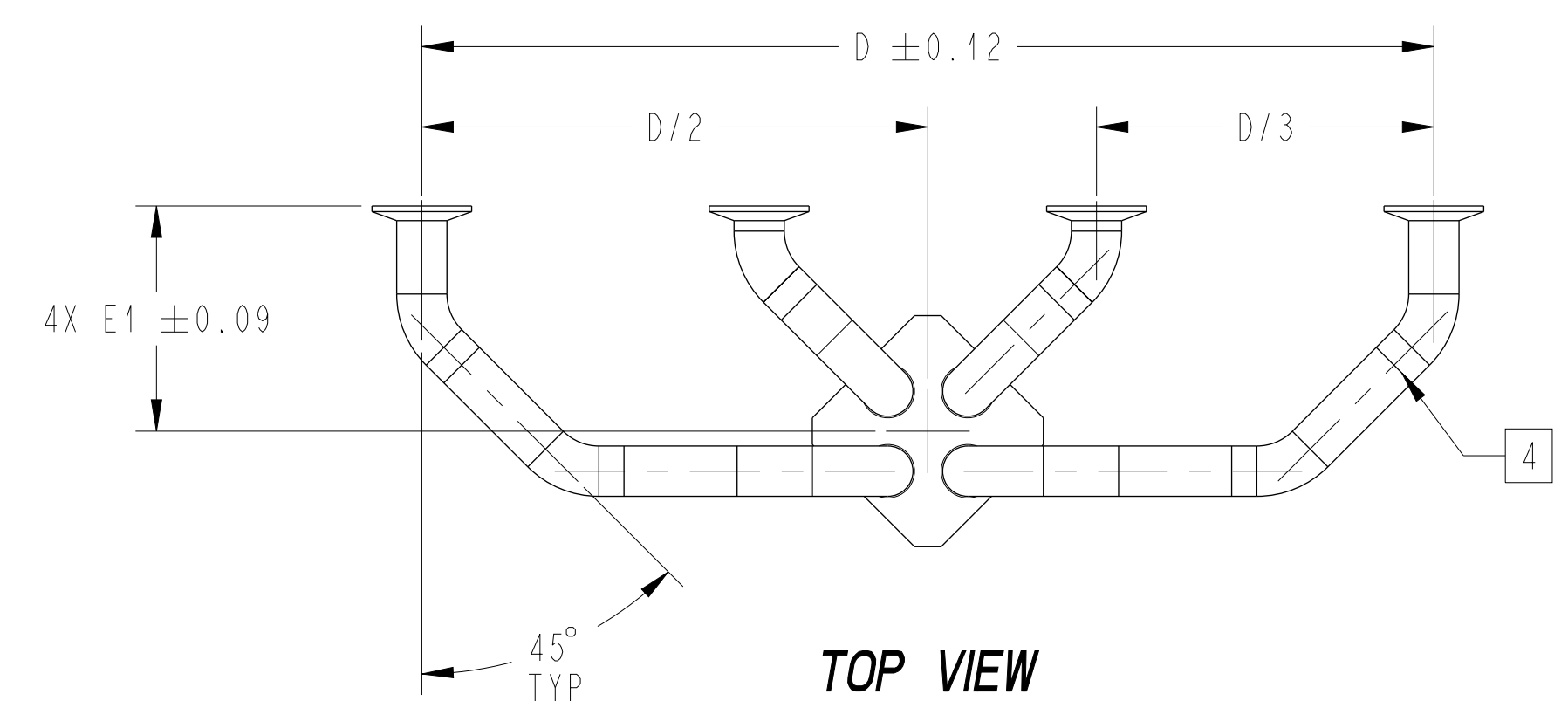
OPTIONAL MOUNTING HOLES



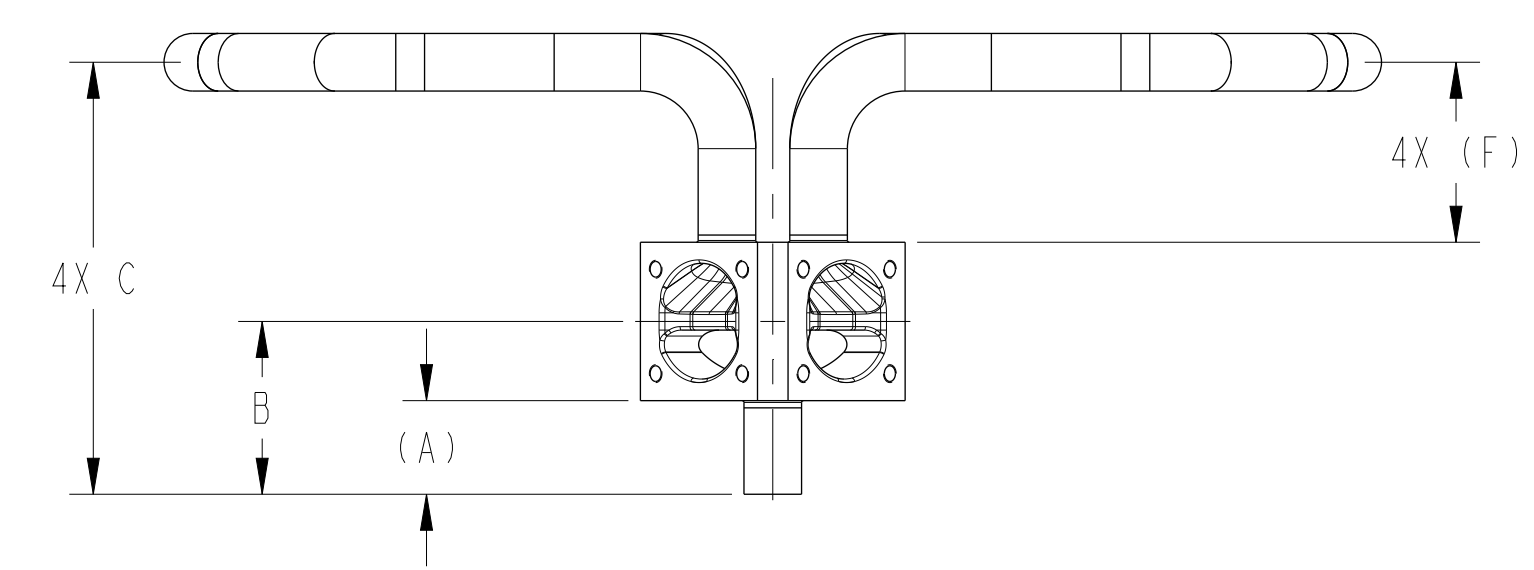
BOTTOM VIEW



TOP VIEW

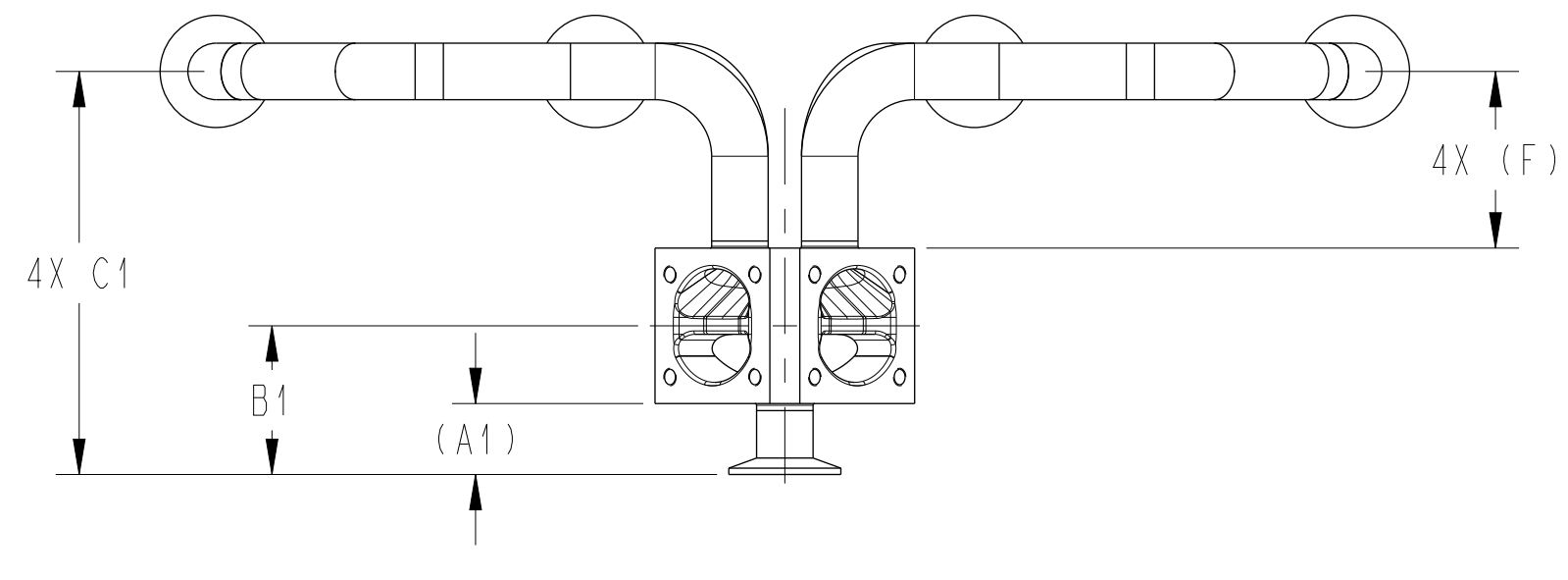


TOP VIEW



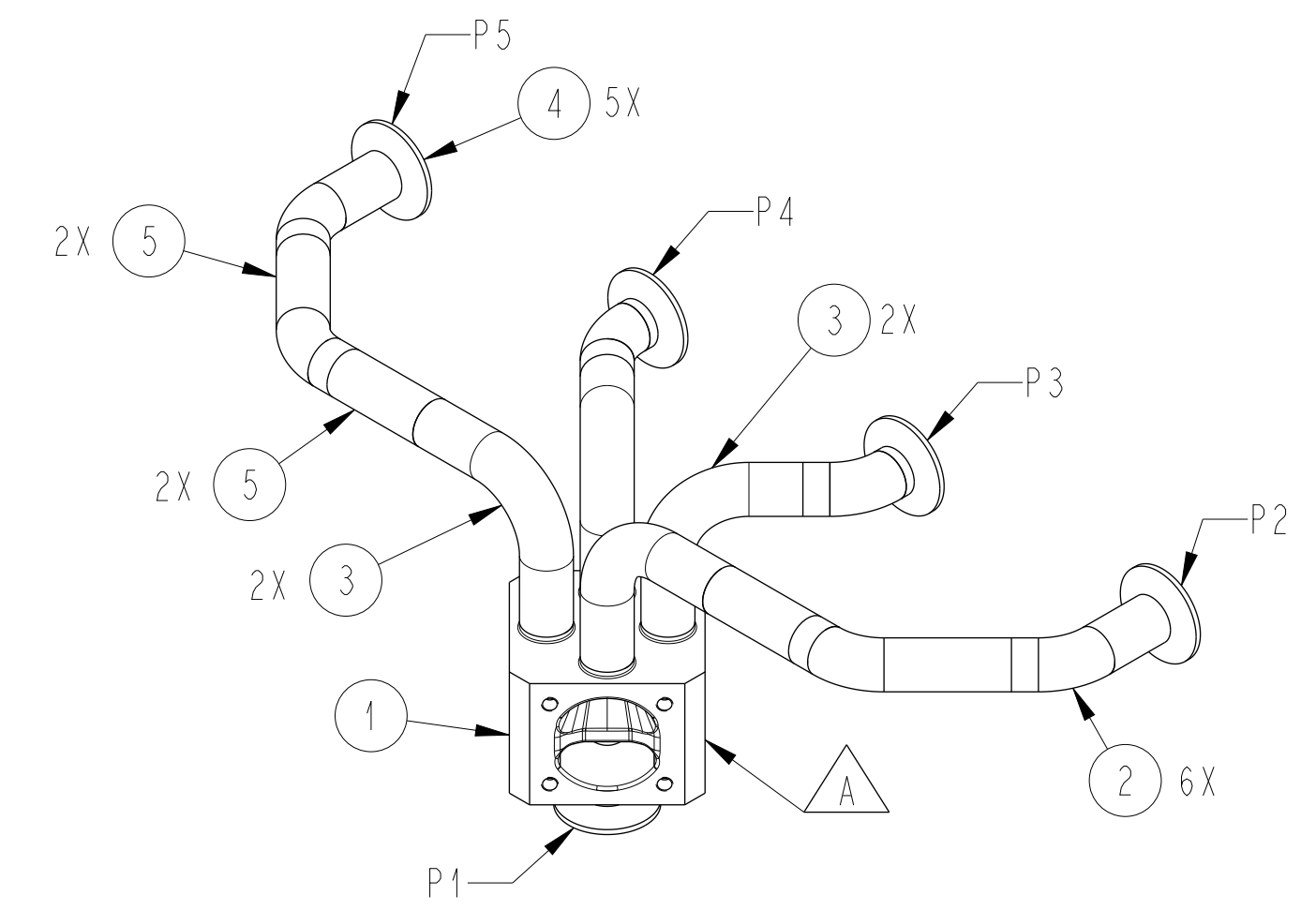
FRONT VIEW

INSTALLATION ORIENTATION [3]



FRONT VIEW

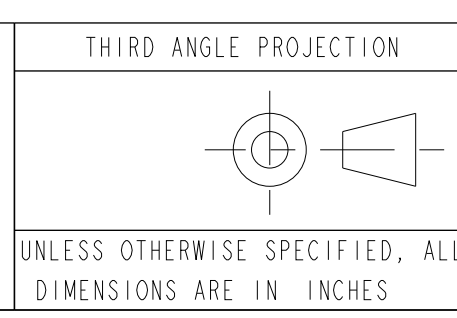
INSTALLATION ORIENTATION [3]



ISOMETRIC VIEW

PURE-FLO ORDER: - ITEM: -  
 CUSTOMER: -  
 CUSTOMER PO: -  
 OTHER INFO: -

THIS DOCUMENT IS THE SOLE PROPERTY OF ITT CORPORATION, OR ITS SUBSIDIARY, AND IS PROVIDED SUBJECT TO RETURN. IT IS ISSUED IN STRICT CONFIDENCE AND SHALL NOT BE REPRODUCED, OR COPIED, OR DISCLOSED IN WHOLE OR IN PART, OR USED AS THE BASIS FOR THE MANUFACTURE OR SALES OF APPARATUS OR PARTS TO WHICH THE DOCUMENT RELATES, WITHOUT THE EXPRESS WRITTEN CONSENT OF ITT CORPORATION, OR ITS SUBSIDIARY. THIS LEGEND SHALL BE MARKED ON ANY REPRODUCTION HEREOF, IN WHOLE OR IN PART. ALL RIGHTS TO THE INFORMATION AND DESIGN DISCLOSED HEREIN ARE RESERVED TO ITT CORPORATION, OR ITS SUBSIDIARY.



UNLESS OTHERWISE NOTED	
INCH	MM
x : ± 0.06	x : ± 1.5
.xx : ± 0.06	.xx : ± 1.5
.xxx : ± 0.02	-
x/xx : ± 1/16	-
x' : ± 1°	x' : ± 1°

DATE	BY
08/17/23	LFV
08/22/23	KRP
08/22/23	TJS

1/4" TO 3" 4-WAY DIVERT VALVE  
 ASSY. OPTION 3  
 TCE & AWE TABULATED

ITT  
 www.ittpureflo.com

D	A26774	SHEET 1 OF 2	REV D
MASTER DWG:	A26774/D	ECN# 19213	ISSUE BY: -
CERT BY: -			

