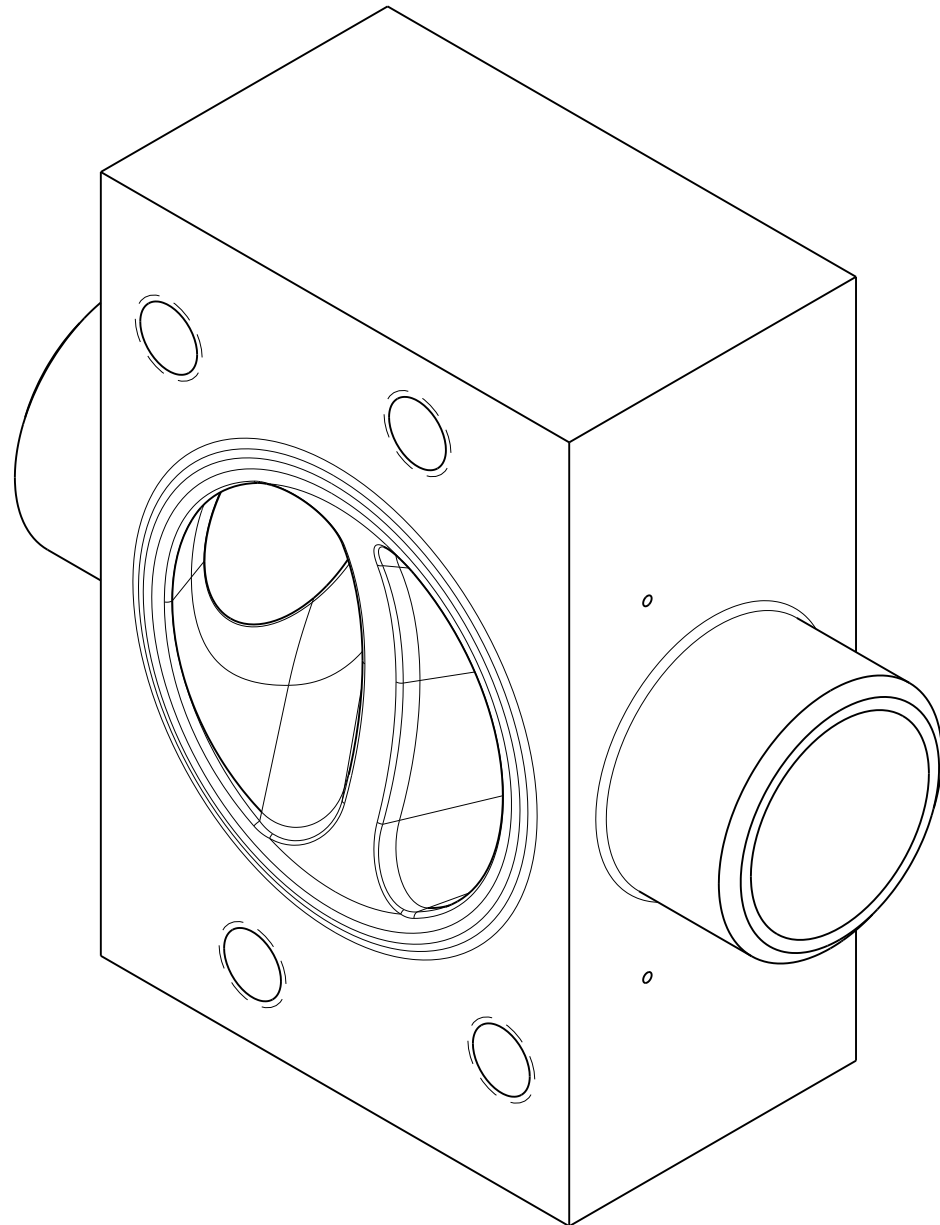
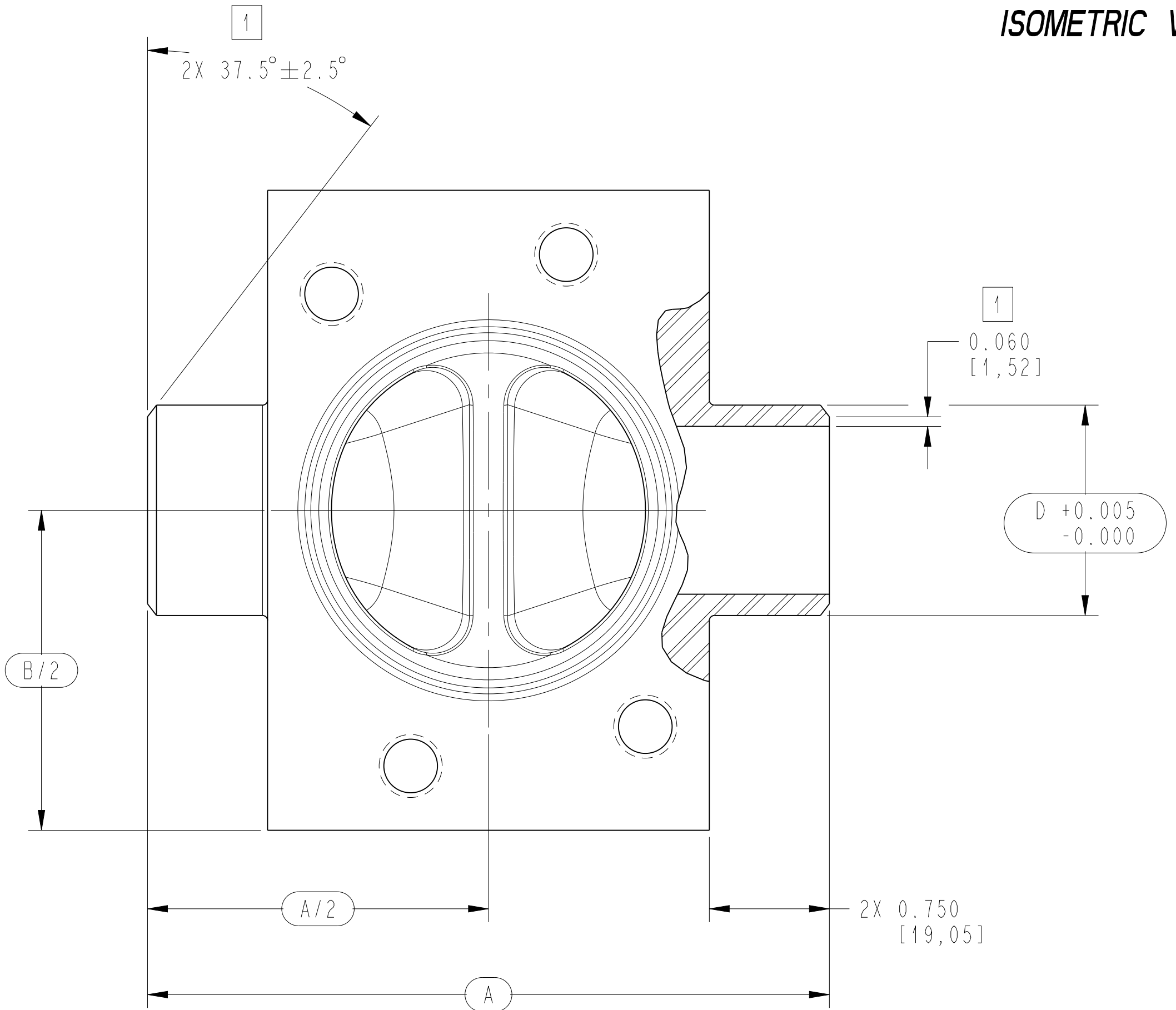


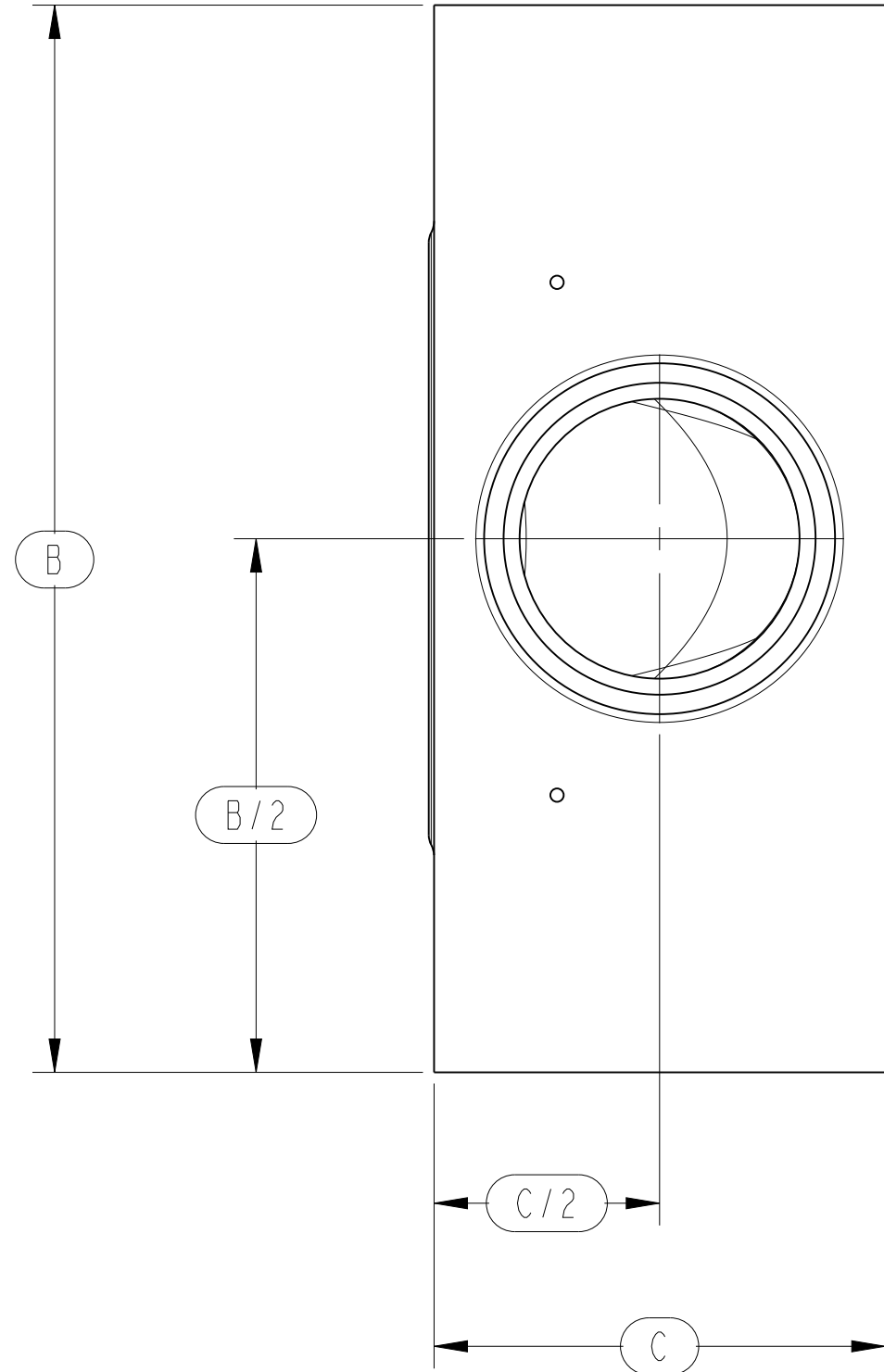
VALVE SIZE	A	B	C	D	NOTES
1/2" W2 SCH05					
1/2" W2 SCH10	3.540 [89,92]	2.600 [66,04]	(1.124) [28,55]	Ø0.840 [21,34]	
1/2" W2 SCH40					
3/4"R W2 SCH05					
3/4"R W2 SCH10	3.540 [89,92]	2.600 [66,04]	(1.376) [34,95]	Ø1.050 [26,67]	
3/4"R W2 SCH40					
3/4" W2 SCH05					
3/4" W2 SCH10	4.260 [108,20]	4.000 [101,60]	(1.376) [34,95]	Ø1.050 [26,67]	
3/4" W2 SCH40					
1" W2 SCH05					
1" W2 SCH10	4.260 [108,20]	4.000 [101,60]	(1.690) [42,93]	Ø1.315 [33,40]	
1" W2 SCH40					1
1-1/2" W2 SCH05					
1-1/2" W2 SCH10	5.400 [137,16]	5.380 [136,65]	(2.400) [60,96]	Ø1.900 [48,26]	
1-1/2" W2 SCH40					1
2" W2 SCH05					
2" W2 SCH10	5.460 [138,68]	5.890 [149,61]	(2.876) [73,05]	Ø2.375 [60,33]	
2" W2 SCH40					1



ISOMETRIC VIEW



FRONT VIEW



SIDE VIEW

NOTE : ( UNLESS OTHERWISE SPECIFIED )  
 1. WELD PREP INCLUDED WITH INDICATED BODIES ONLY.

THIS DOCUMENT IS THE SOLE PROPERTY OF ITT CORPORATION, OR ITS SUBSIDIARY, AND IS PROVIDED SUBJECT TO RETURN. IT IS ISSUED IN STRICT CONFIDENCE AND SHALL NOT BE REPRODUCED, OR COPIED, OR DISCLOSED IN WHOLE OR IN PART, OR USED AS THE BASIS FOR THE MANUFACTURE OR SALES OF APPARATUS OR PARTS TO WHICH THE DOCUMENT RELATES, WITHOUT THE EXPRESS WRITTEN CONSENT OF ITT CORPORATION, OR ITS SUBSIDIARY. THIS LEGEND SHALL BE MARKED ON ANY REPRODUCTION HEREOF, IN WHOLE OR IN PART. ALL RIGHTS TO THE INFORMATION AND DESIGN DISCLOSED HEREIN ARE RESERVED TO ITT CORPORATION, OR ITS SUBSIDIARY.

THIRD ANGLE PROJECTION	UNLESS OTHERWISE NOTED	WEIGHT	SCALE	ENVIZION BODY EXTENDED ANSI PIPE 0.50 - 2.00 SCH05, SCH10, SCH40 SUPERSEDES: -
	INCH	-	3:2	
UNLESS OTHERWISE SPECIFIED, ALL DIMENSIONS ARE IN INCHES. IN BRACKETS [ ] ARE MILLIMETERS	MM	DATE	BY	<b>ITT</b> LANCASTER, PA USA SIZE <b>D</b> DRAWING NUMBER <b>A27180A</b> SHEET <b>1</b> OF <b>1</b> REV <b>-</b>
REMOVE ALL SHARP AND CHAMFERED EDGES. MACHINED SURFACES TO BE FINISHED EXCEPT AS NOTED.	X = ± 0.06 .X = ± 0.03 .XX = ± 0.02 .XXX = ± 0.005 .X/X = ± 1/16 .X° = ± 1° .X° = ± 5° .X° = ± 10° .X° = ± 15° .X° = ± 30° .X° = ± 45° .X° = ± 60° .X° = ± 75° .X° = ± 90° .X° = ± 120° .X° = ± 150° .X° = ± 180°	06/15/21	LEF	
		CHKD	KRP	
		APVD	TJS	

ECN# 17608