

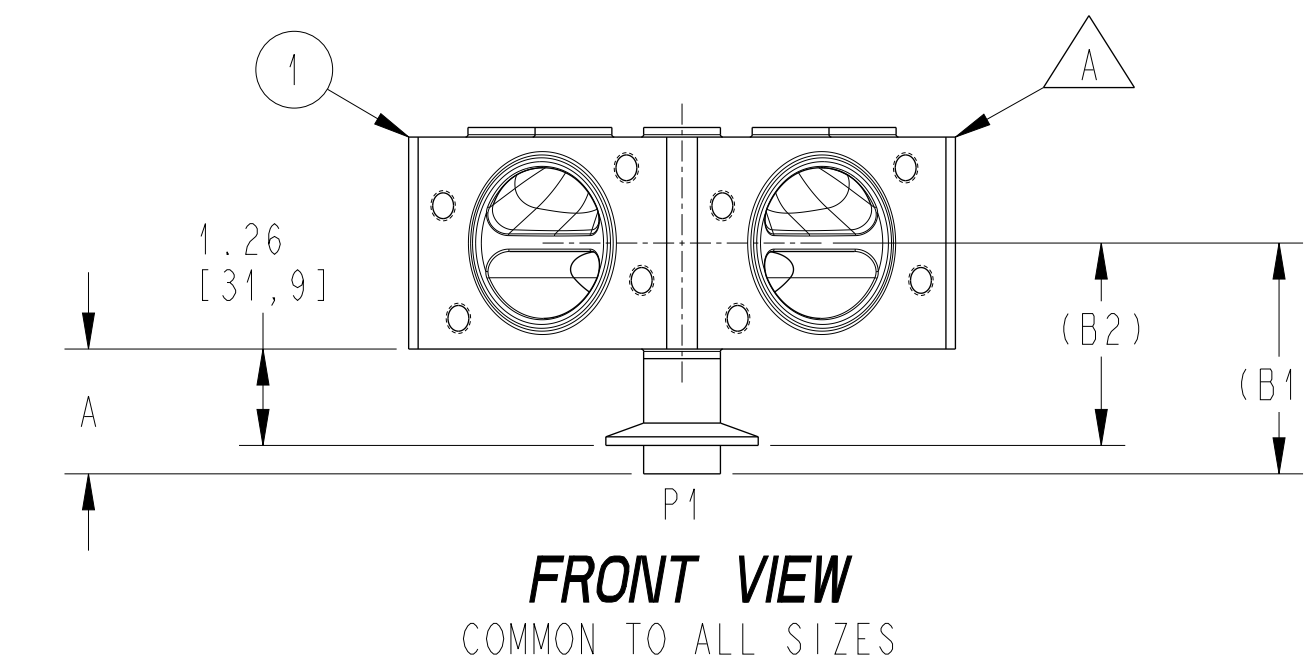
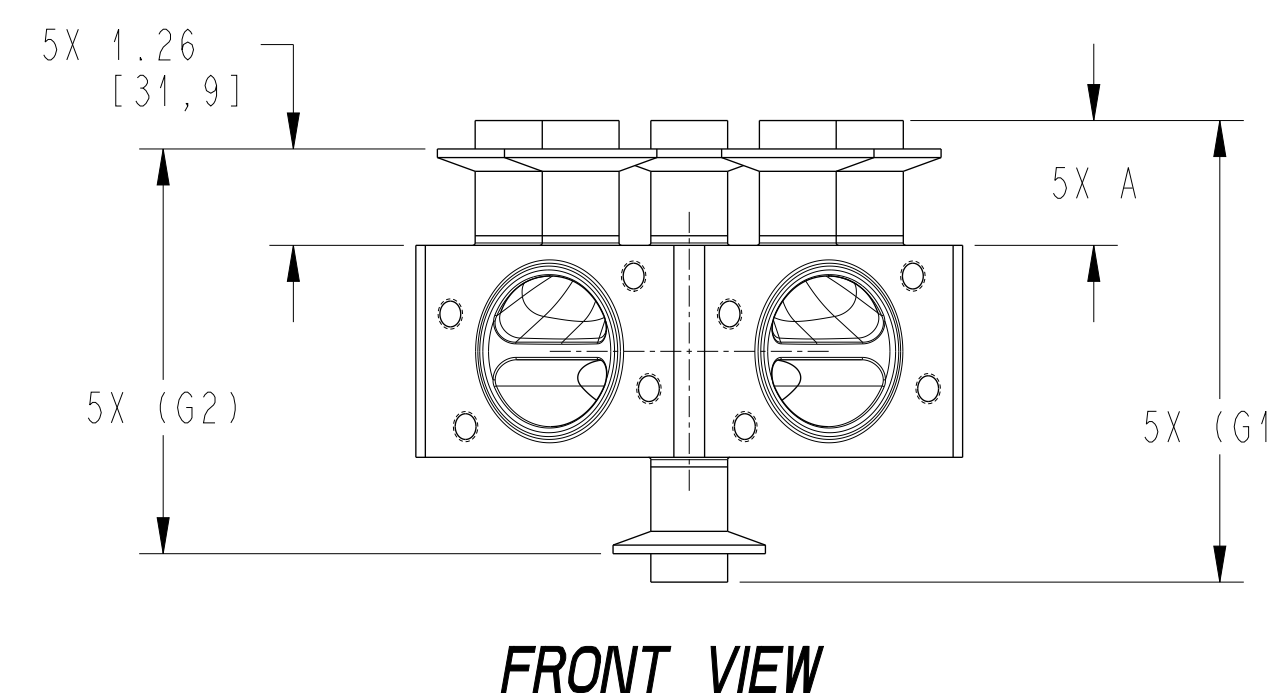
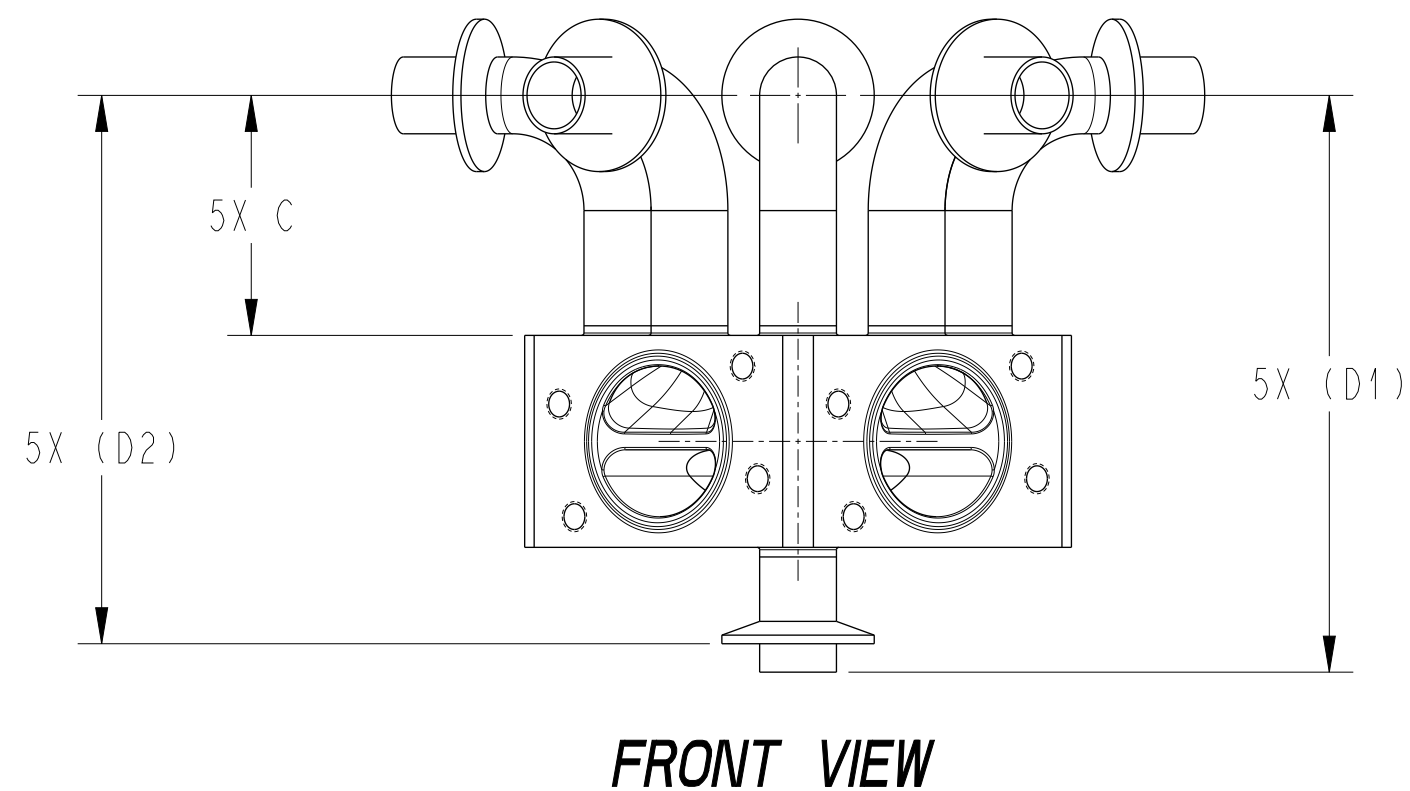
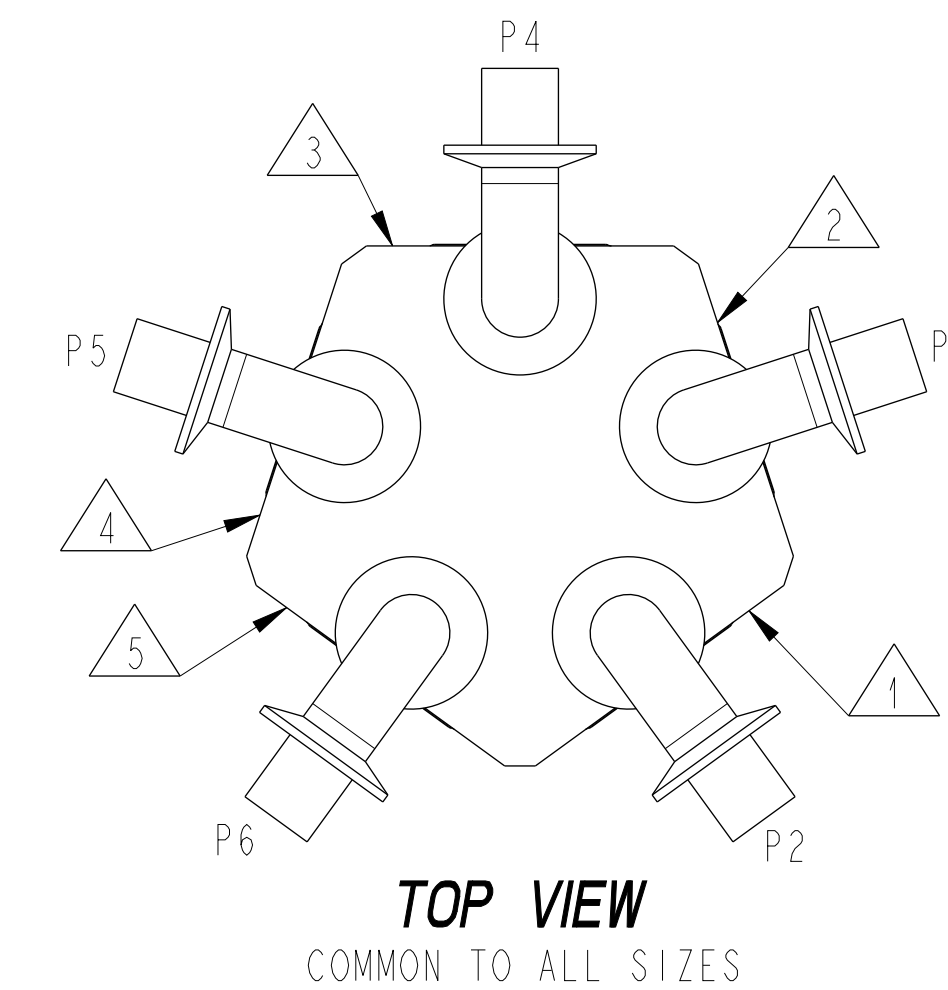
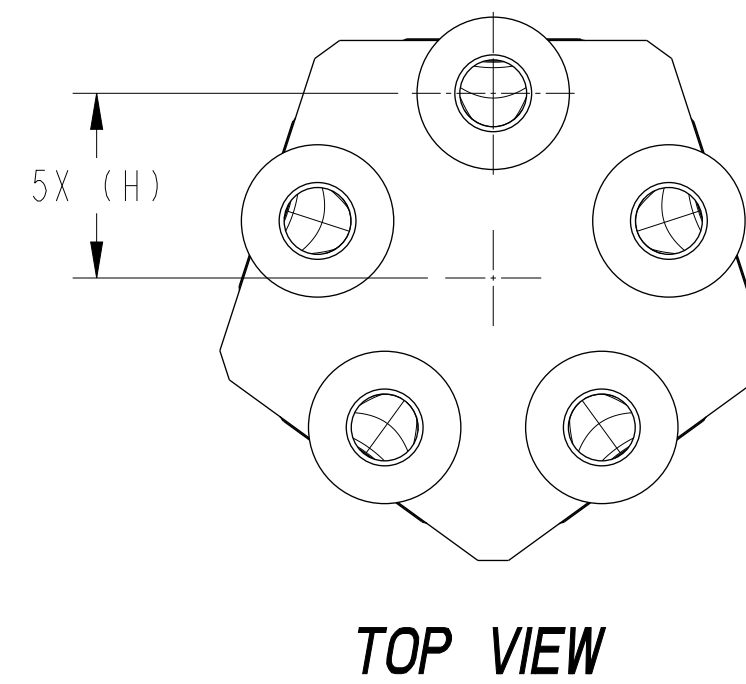
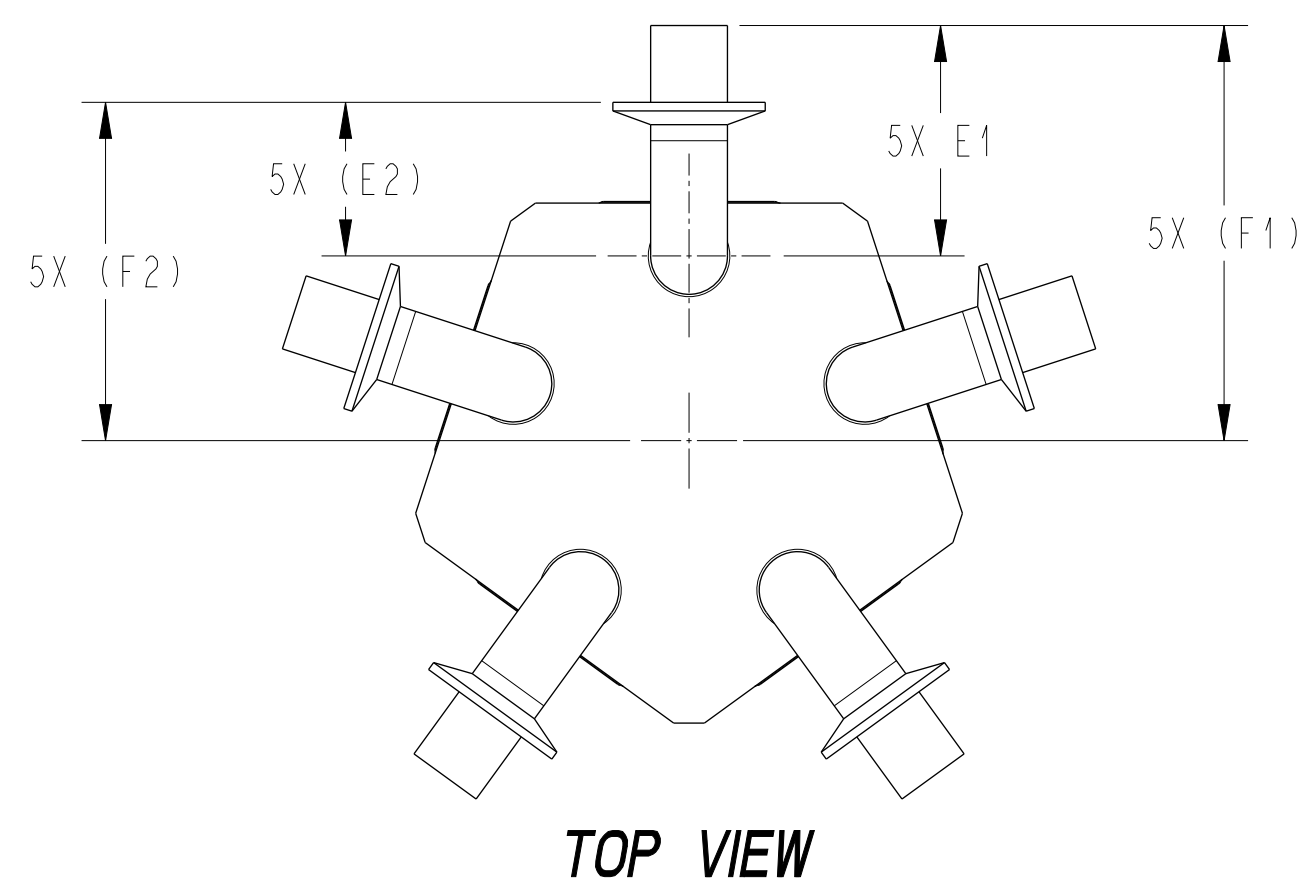
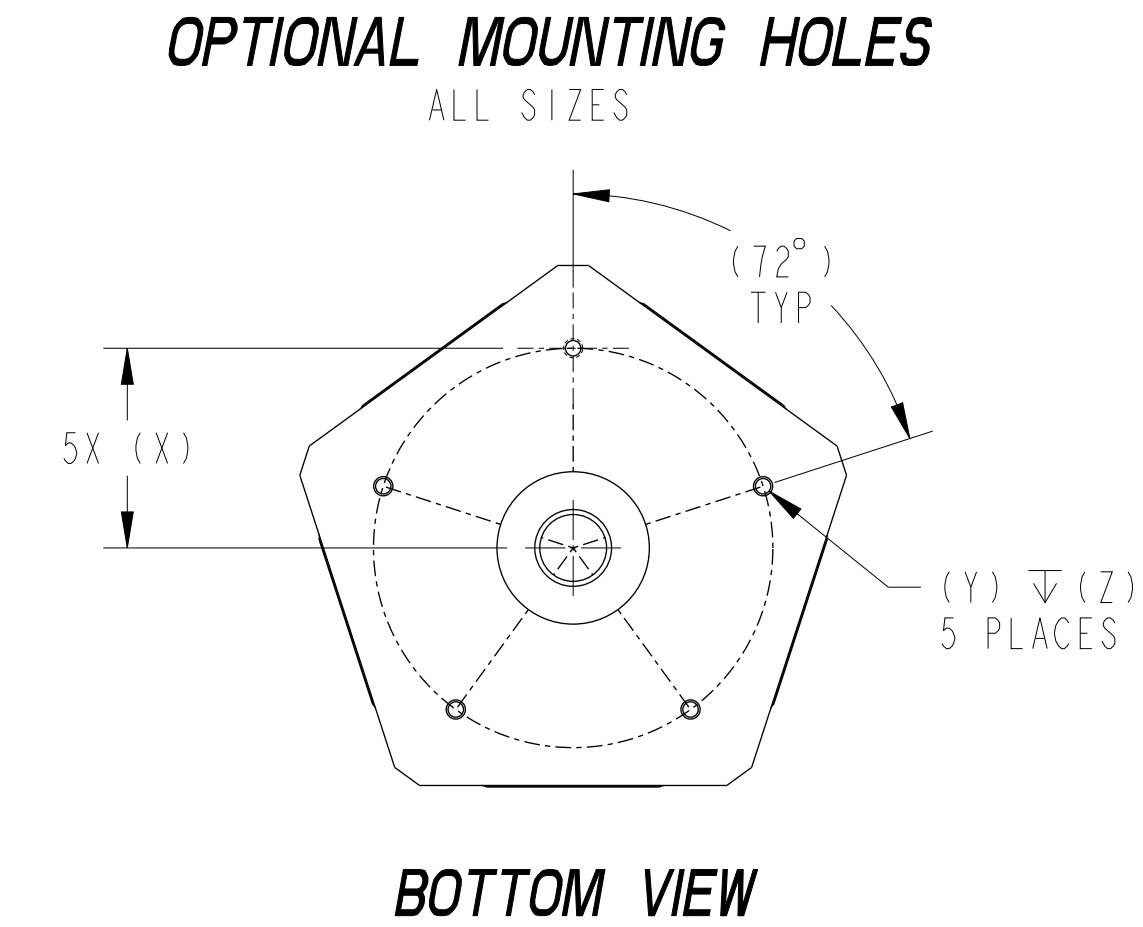
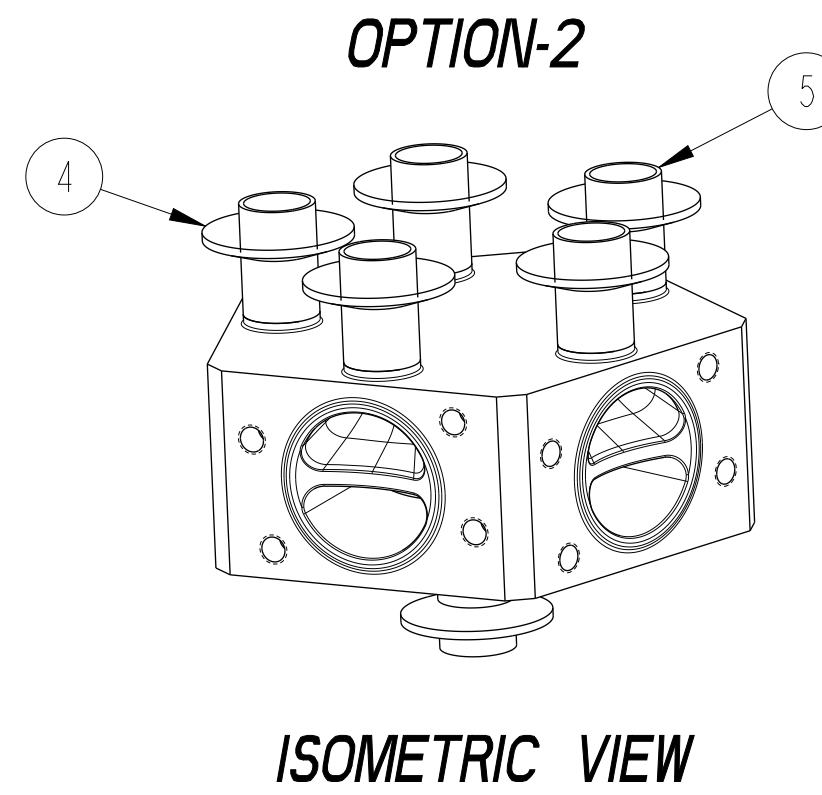
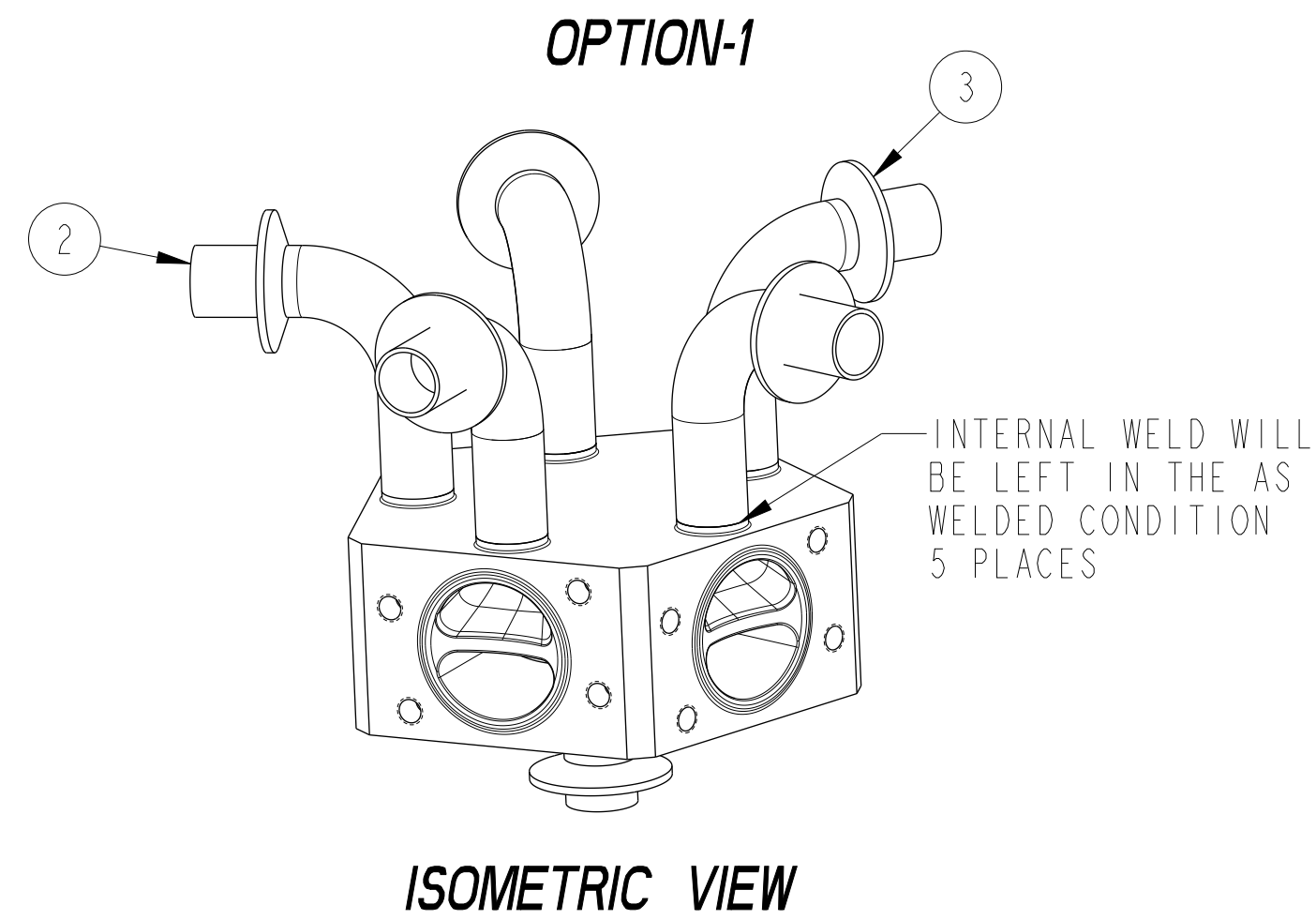
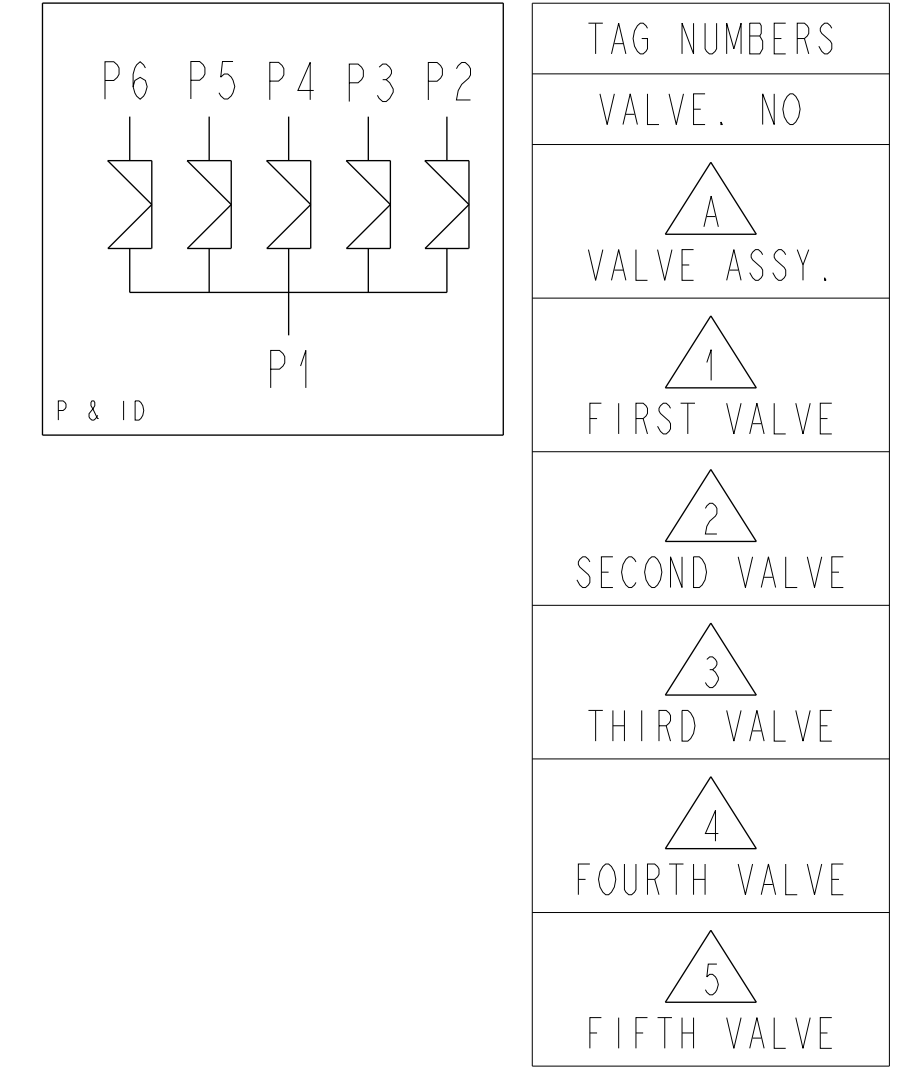
VALVES CONSTRUCTION FOR ALL OPTIONS

OPTIONAL MOUNTING HOLES Ⓐ

VALVE	A	(B1)	(B2)	C	(D1)	(D2)	E1	E2	(F1)	(F2)	(G1)	(G2)	(H)	L/D	X	Y	Z
0.50		(2.64) [67,1]	(2.27) [57,7]		(6.78) [172,2]	(6.41) [162,8]			(5.01) [127,2]	(3.63) [92,3]	(5.28) [134,1]	(4.54) [115,3]	(2.01) [51,0]	3.3	(1.75) [44,5]	1/4-20 UNC-2B	0.50 [12,7]
0.75R				3.13 [79,4]			3.00 [76,2]	1.63 [41,3]	(5.11) [129,8]	(3.73) [94,9]			(2.11) [53,6]	2.6	(2.00) [50,8]		
0.75	1.63 [41,3]	(3.01) [76,3]	(2.64) [66,9]		(7.51) [190,8]	(7.14) [181,4]			(5.56) [141,3]	(4.19) [106,4]	(6.01) [152,7]	(5.27) [133,9]	(2.56) [65,1]	2.3	(2.60) [66,0]	5/16-18 UNC-2B	0.62 [15,7]
1.00								2.00 [50,8]	(5.41) [137,3]	(4.41) [111,9]			(2.41) [61,1]	-	(2.60) [66,0]		
1.50		(3.58) [90,8]	(3.21) [81,4]	3.88 [98,4]	(9.40) [238,8]	(9.03) [229,4]	3.75 [95,3]	2.75 [69,9]	(6.88) [174,7]	(5.88) [149,3]	(7.15) [181,6]	(6.41) [162,8]	(3.13) [79,4]	-	(3.50) [88,9]	3/8-16 UNC-2B	0.75 [19,1]
2.00	1.88 [47,6]	(3.86) [97,9]	(3.24) [82,2]	4.88 [123,8]	(10.71) [272,0]	(10.09) [256,3]	4.75 [120,7]	3.50 [88,9]	(8.23) [209,1]	(6.98) [177,4]	(7.71) [195,8]	(6.47) [164,3]	(3.48) [88,5]	-	(4.00) [101,6]		

- NOTE:
 1. "P" NUMBERS INDICATE PORT CONNECTION.
 2. TUBE ENDS MEET OR EXCEED THE FOLLOWING LENGTHS 1/2" - 1-1/2" = 1-1/2" LONG, 2" = 1-3/4" LONG.
 3. VALVE MUST BE INSTALLED WITH P1 VERTICALLY (UP-DOWN) FOR OPTIMAL DRAINABILITY.
 4. ALL INSTANCES MARKED AS "-" MEET L/D OR LESS

LIST OF MAJOR COMPONENTS	
ITEM	DESCRIPTION
1	5DV ENVIZION BODY, (K27587A)
2	ELBOW 90 DEG BPE
3	ELBOW 90 DEG BPE W/ TC
4	FERRULE TRI-CLAMP BW
5	TUBE



PURE-FLO ORDER: - ITEM: -
 CUSTOMER: -
 CUSTOMER PO: -
 OTHER INFO: -

THIS DOCUMENT IS THE SOLE PROPERTY OF ITT CORPORATION, OR ITS SUBSIDIARY, AND IS PROVIDED SUBJECT TO RETURN. IT IS ISSUED IN STRICT CONFIDENCE AND SHALL NOT BE REPRODUCED, OR COPIED, OR DISCLOSED IN WHOLE OR IN PART, OR USED AS THE BASIS FOR THE MANUFACTURE OR SALES OF APPARATUS OR PARTS TO WHICH THE DOCUMENT RELATES, WITHOUT THE EXPRESS WRITTEN CONSENT OF ITT CORPORATION, OR ITS SUBSIDIARY. THIS LEGEND SHALL BE MARKED ON ANY REPRODUCTION HEREOF, IN WHOLE OR IN PART. ALL RIGHTS TO THE INFORMATION AND DESIGN DISCLOSED HEREIN ARE RESERVED TO ITT CORPORATION, OR ITS SUBSIDIARY.

THIRD ANGLE PROJECTION
 UNLESS OTHERWISE NOTED
 INCH MM
 X : ± 0.06 X : ± 1.5
 .XX : ± 0.06 .XX : ± 1.5
 .XXX : ± 0.02 .XX : ± 1.5
 X/XX : ± 0.02 X : ± 1.5
 X : ± 1.5 X : ± 1.5

DATE	BY	5-WAY DIVERT ENVIZION OPTION 1 & OPTION 2 ASSY.
DWN 09/20/21	LFV	
CHKD 09/20/21	KRP	
APVD 09/20/21	TJS	

MASTER DWG: A27634A/A ECN# 18439

ITT
 www.ittpureflo.com
 SHEET 1 OF 1 REV A
 A27634A
 ISSUE BY: - CERT BY: -