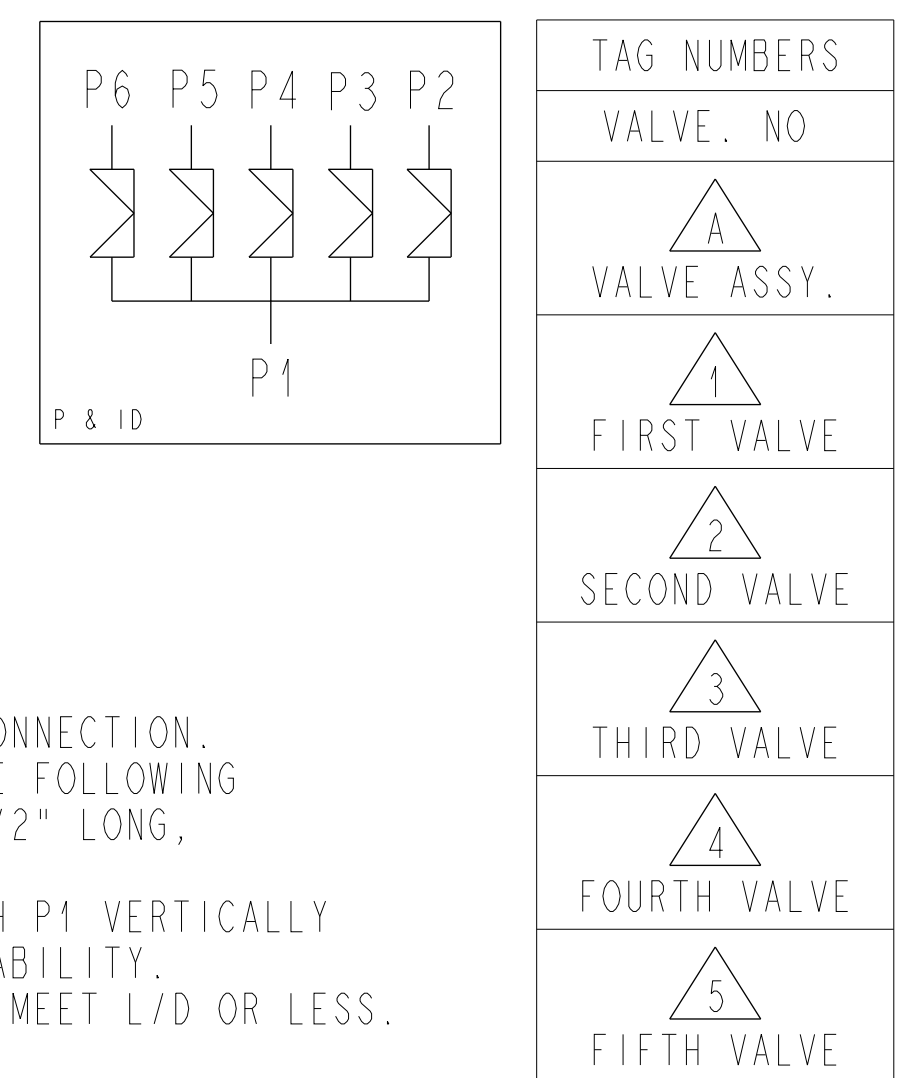
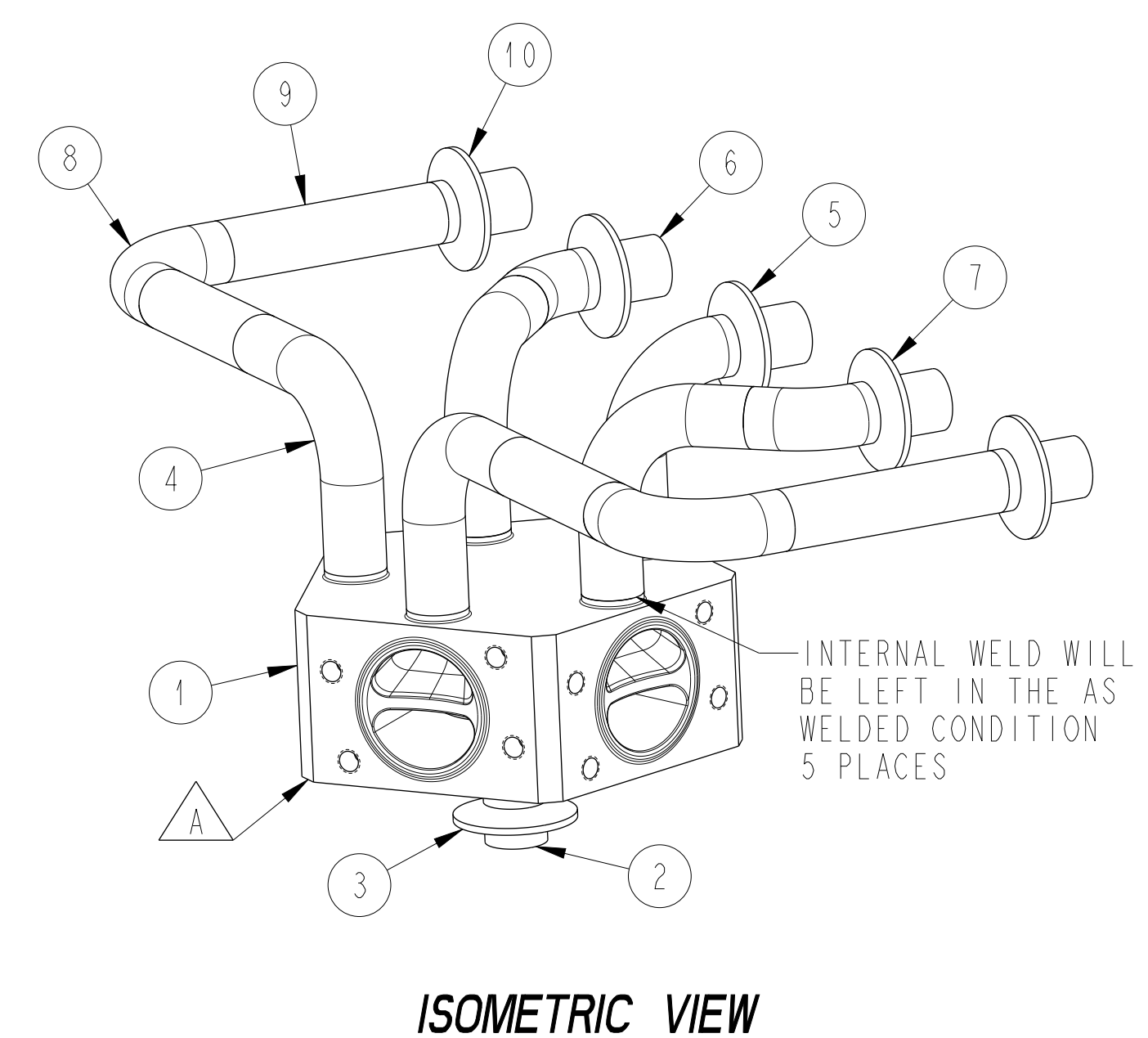
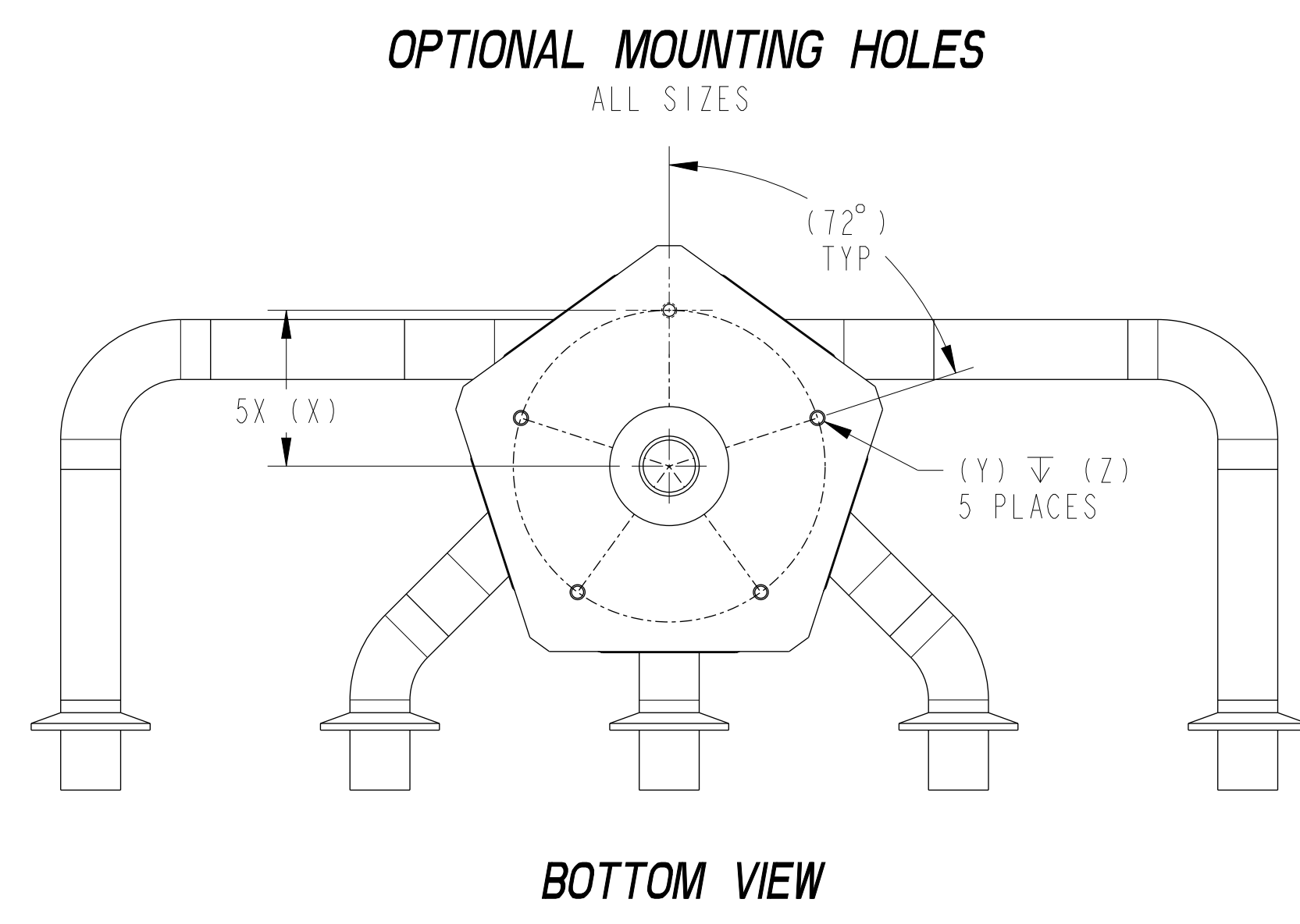
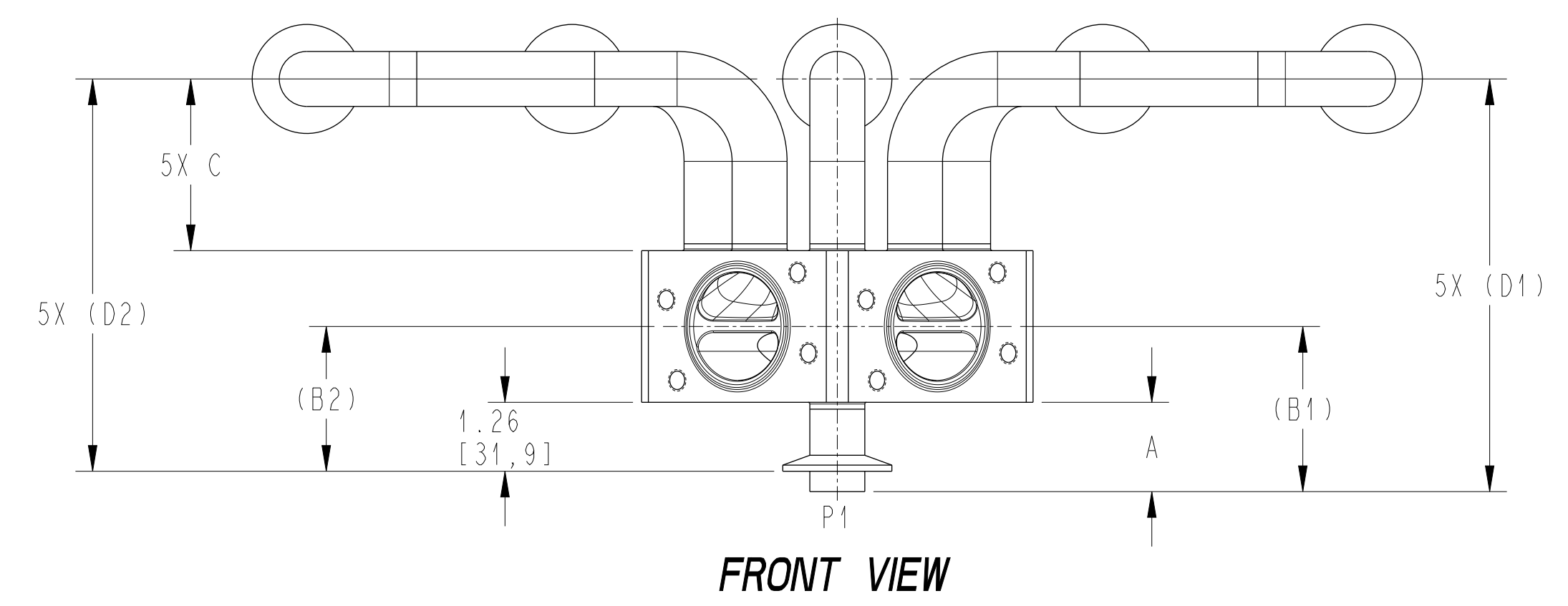
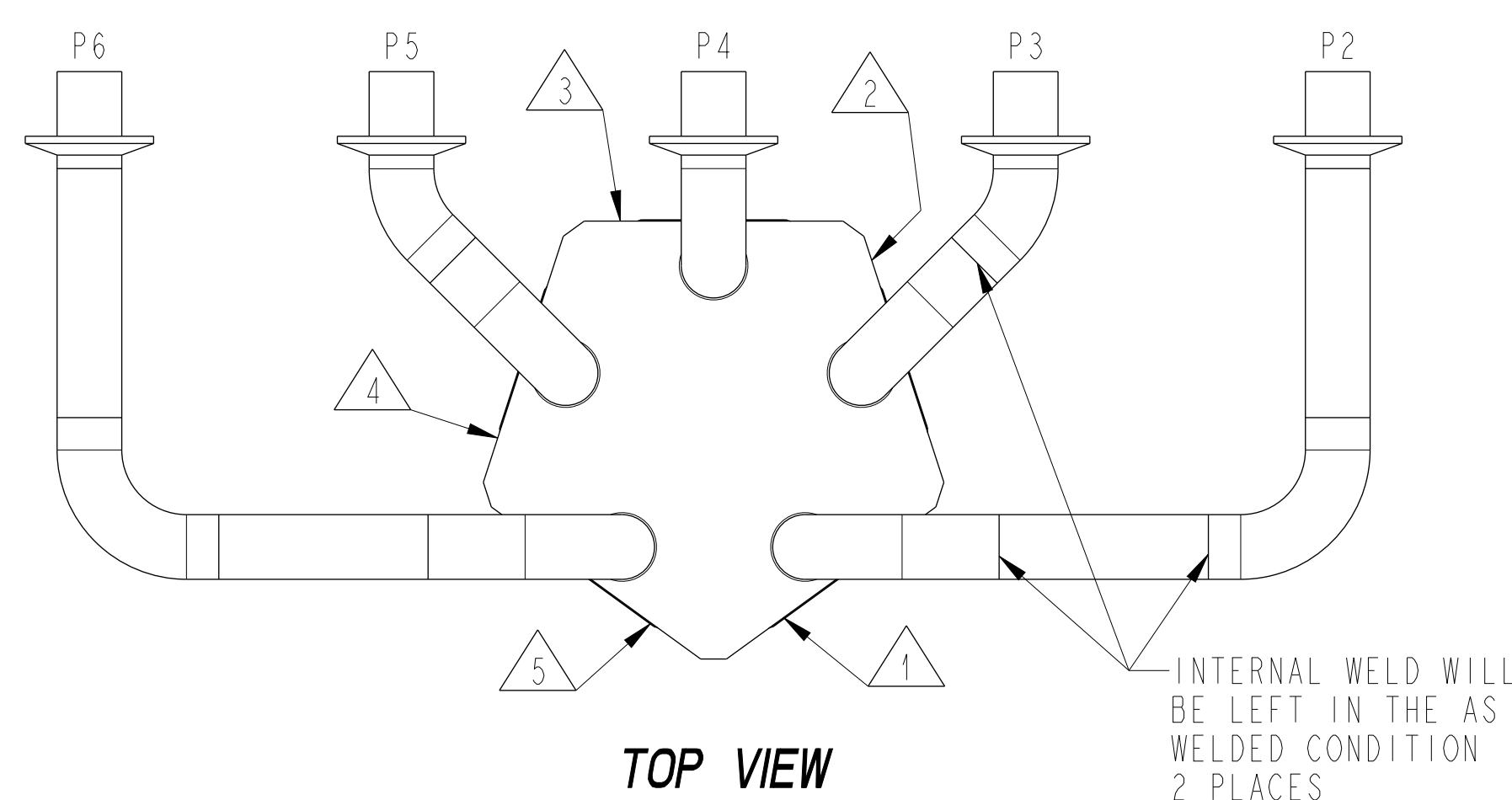
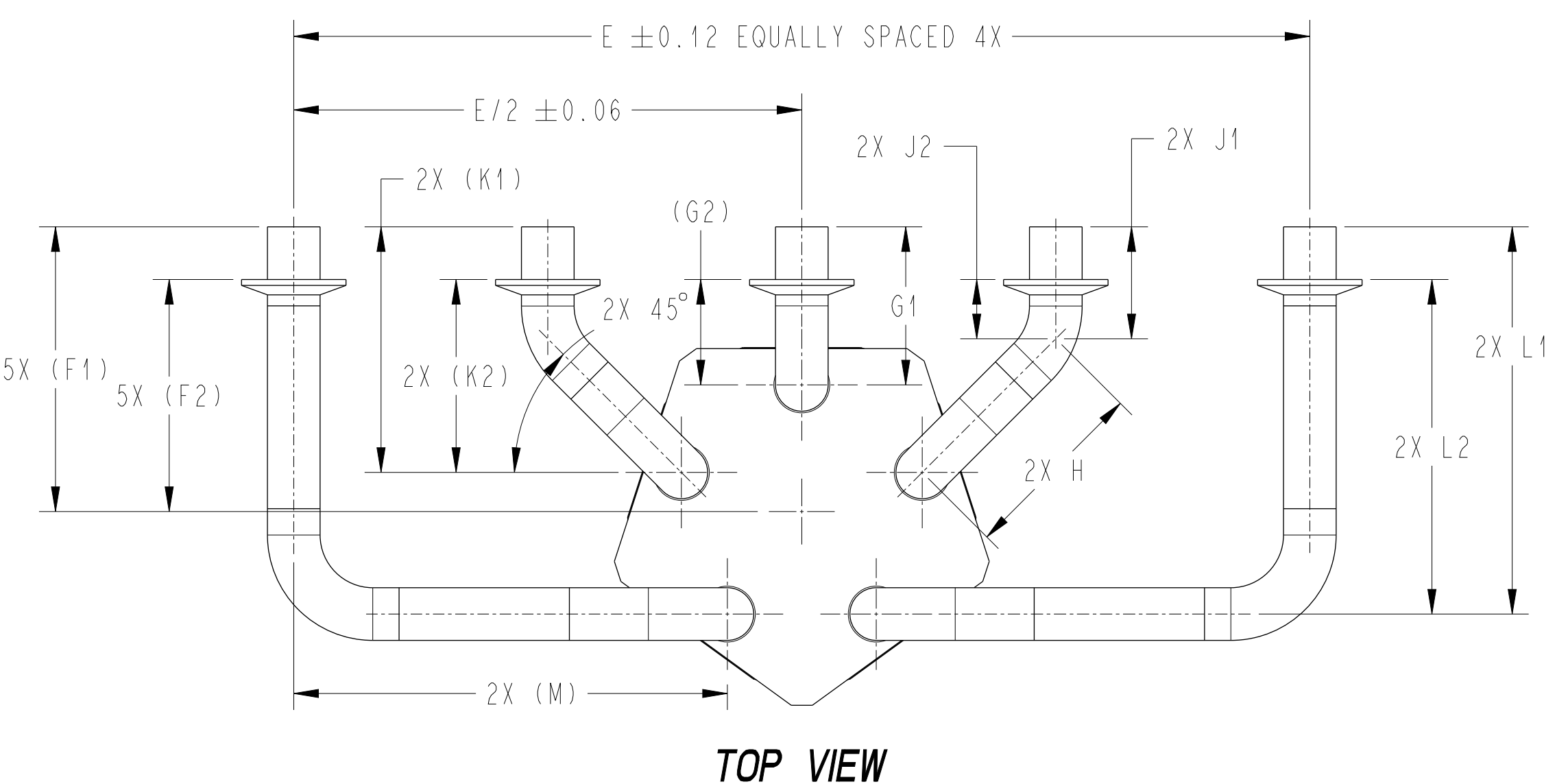


VALVES CONSTRUCTION																				OPTIONAL MOUNTING HOLES												
VALVE	A	(B1)	(B2)	C	(D1)	(D2)	E	(F1)	(F2)	G1	G2	(H)	J1	J2	K1	K2	(L1)	(L2)	(M)	L/D	X	Y	Z									
0.50		(2.64) [67,1]	(2.27) [57,7]	3.13 [79,4]	(6.78) [172,2]	(6.41) [162,8]	15.72 [399,3]	(4.89) [124,2]	(3.64) [92,5]	2.88 [73,2]	1.63 [41,4]	(2.85) [72,5]	2.25 [57,2]	1.00 [25,4]	(4.27) [108,4]	(3.02) [76,7]	(6.52) [165,5]	(5.27) [133,7]	(6.68) [169,6]	3.3	(1.75) [44,5]	1/4-20 UNC-2B	0.50 [12,7]									
0.75R							16.38 [416,1]	(4.99) [126,7]	(3.74) [95,0]							(2.95) [75,0]			(4.34) [110,2]					(3.09) [78,4]	(6.70) [170,1]	(5.45) [138,4]	(6.95) [176,5]					
0.75	1.63 [41,3]	(3.01) [76,3]	(2.64) [66,9]			(7.51) [190,8]	(7.14) [181,4]	19.36 [491,7]	(5.44) [138,3]			(4.19) [106,5]					(3.40) [86,2]							(4.65) [118,1]	(3.40) [86,4]	(7.52) [190,9]	(6.27) [159,2]	(8.17) [207,6]				
1.00							19.34 [491,1]	(5.41) [137,3]	(4.41) [111,9]	3.00 [76,2]	2.00 [50,8]	(3.58) [90,9]	2.13 [54,1]	1.13 [28,7]	(4.66) [118,4]	(3.66) [93,0]	(7.35) [186,7]	(6.35) [161,3]	(8.25) [209,7]	-	(2.60) [66,0]	5/16-18 UNC-2B	0.62 [15,7]									
1.50		(3.58) [90,8]	(3.21) [81,4]	3.88 [98,4]	(9.40) [238,8]	(9.03) [229,4]	25.78 [654,9]	(6.88) [174,7]	(5.88) [149,3]	3.75 [95,3]	2.75 [69,9]	(4.91) [124,7]	2.44 [62,0]	1.44 [36,6]	(5.91) [150,1]	(4.91) [124,7]	(9.41) [239,0]	(8.41) [213,6]	(11.05) [280,8]	-	(3.50) [88,9]	3/8-16 UNC-2B	0.75 [19,1]									
2.00	1.88 [47,6]	(3.86) [97,9]	(3.24) [82,2]	4.88 [123,8]	(10.71) [272,0]	(10.09) [256,3]	29.88 [759,0]	(8.23) [209,1]	(6.98) [177,4]	4.75 [120,7]	3.50 [88,9]	(5.88) [149,3]	3.00 [76,2]	1.75 [44,5]	(7.16) [181,8]	(5.91) [150,0]	(11.05) [280,7]	(9.80) [249,0]	(12.89) [327,5]	-	(4.00) [101,6]											

LIST OF MAJOR COMPONENTS	
ITEM	DESCRIPTION
1	5DV ENVIZION BODY, (K27587A)
2	TUBE BW
3	FERRULE TRI-CLAMP BW
4	ELBOW 90 DEG BPE
5	ELBOW 90 DEG BPE W/ TC
6	ELBOW 45 DEG WBxFT (123288)
7	ELBOW 45 DEG WBxTC (123289)
8	ELBOW 90 DEG WBxWB (123290)
9	TUBE
10	FERRULE TRI-CLAMP SW



- NOTE:
- "P" NUMBERS INDICATE PORT CONNECTION.
 - TUBE ENDS MEET OR EXCEED THE FOLLOWING LENGTHS 1/2" - 1-1/2" = 1-1/2" LONG, 2" = 1-3/4" LONG.
 - VALVE MUST BE INSTALLED WITH P1 VERTICALLY (UP-DOWN) FOR OPTIMAL DRAINABILITY.
 - ALL INSTANCES MARKED AS "-" MEET L/D OR LESS.



PURE-FLO ORDER: - ITEM: -
 CUSTOMER: -
 CUSTOMER PO: -
 OTHER INFO: -

THIS DOCUMENT IS THE SOLE PROPERTY OF ITT CORPORATION, OR ITS SUBSIDIARY, AND IS PROVIDED SUBJECT TO RETURN. IT IS ISSUED IN STRICT CONFIDENCE AND SHALL NOT BE REPRODUCED, OR COPIED, OR DISCLOSED IN WHOLE OR IN PART, OR USED AS THE BASIS FOR THE MANUFACTURE OR SALES OF APPARATUS OR PARTS TO WHICH THE DOCUMENT RELATES, WITHOUT THE EXPRESS WRITTEN CONSENT OF ITT CORPORATION, OR ITS SUBSIDIARY. THIS LEGEND SHALL BE MARKED ON ANY REPRODUCTION HEREOF, IN WHOLE OR IN PART. ALL RIGHTS TO THE INFORMATION AND DESIGN DISCLOSED HEREIN ARE RESERVED TO ITT CORPORATION, OR ITS SUBSIDIARY.

THIRD ANGLE PROJECTION
 UNLESS OTHERWISE NOTED
 INCH MM
 X ± 0.06 X ± 1.5
 XX ± 0.06 XX ± 1.5
 XXX ± 0.02 XX ± 1.5
 XXX ± 1/16 X ± 1.5
 X ± 1.5 X ± 1.5

DATE	BY	DESCRIPTION
10/08/21	LFV	5-WAY DIVERT ENVIZION OPTION 3 ASSY.
10/08/21	KRP	
10/08/21	TJS	

ITT
 www.ittpureflo.com
 SHEET 1 OF 1
 REV -
 MASTER DWG: A27635A/- ECN# 18439
 ISSUE BY: - CERT BY: -