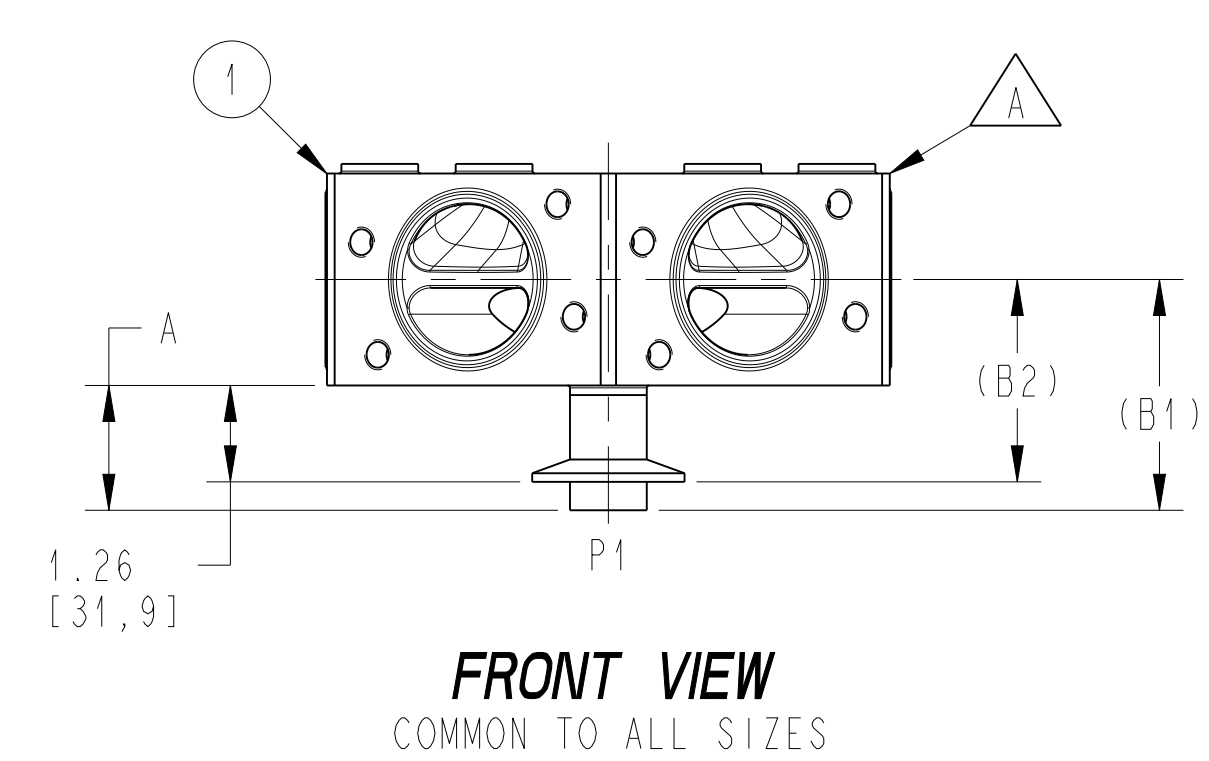
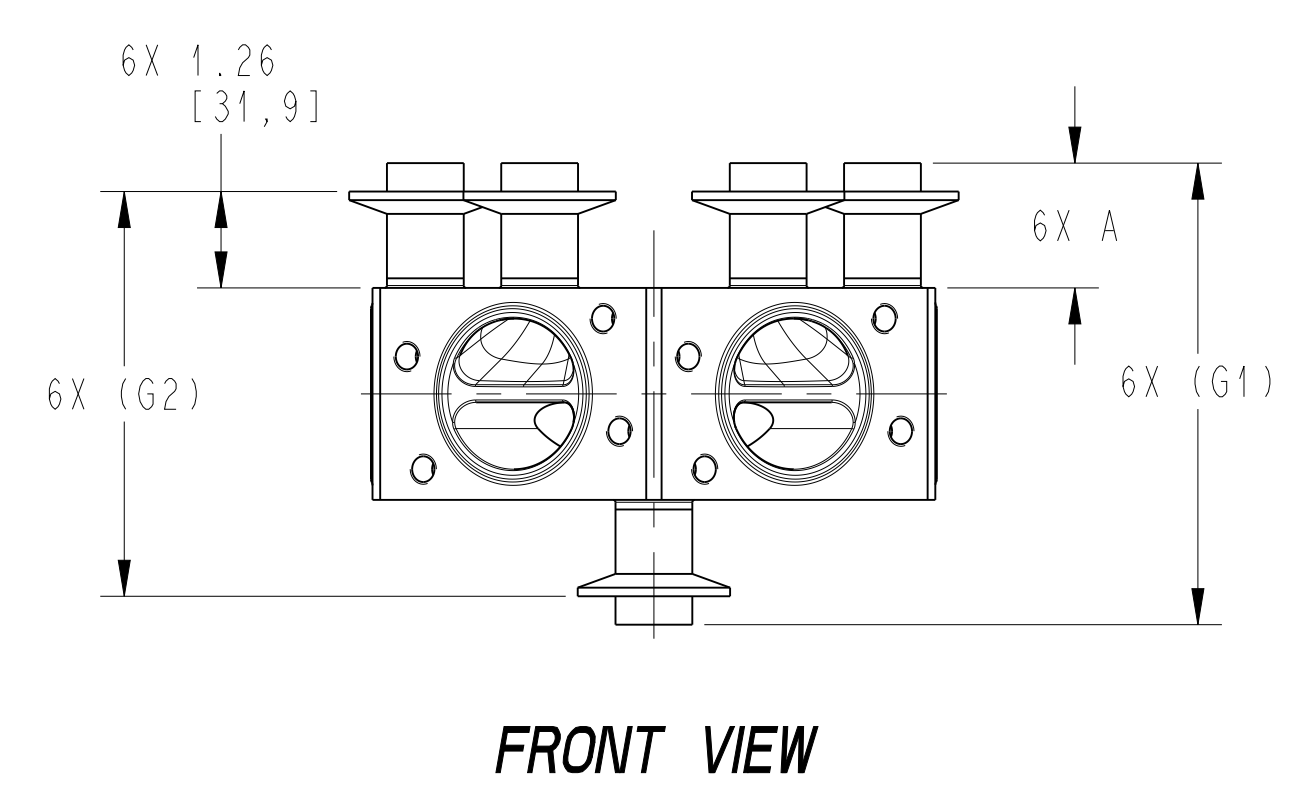
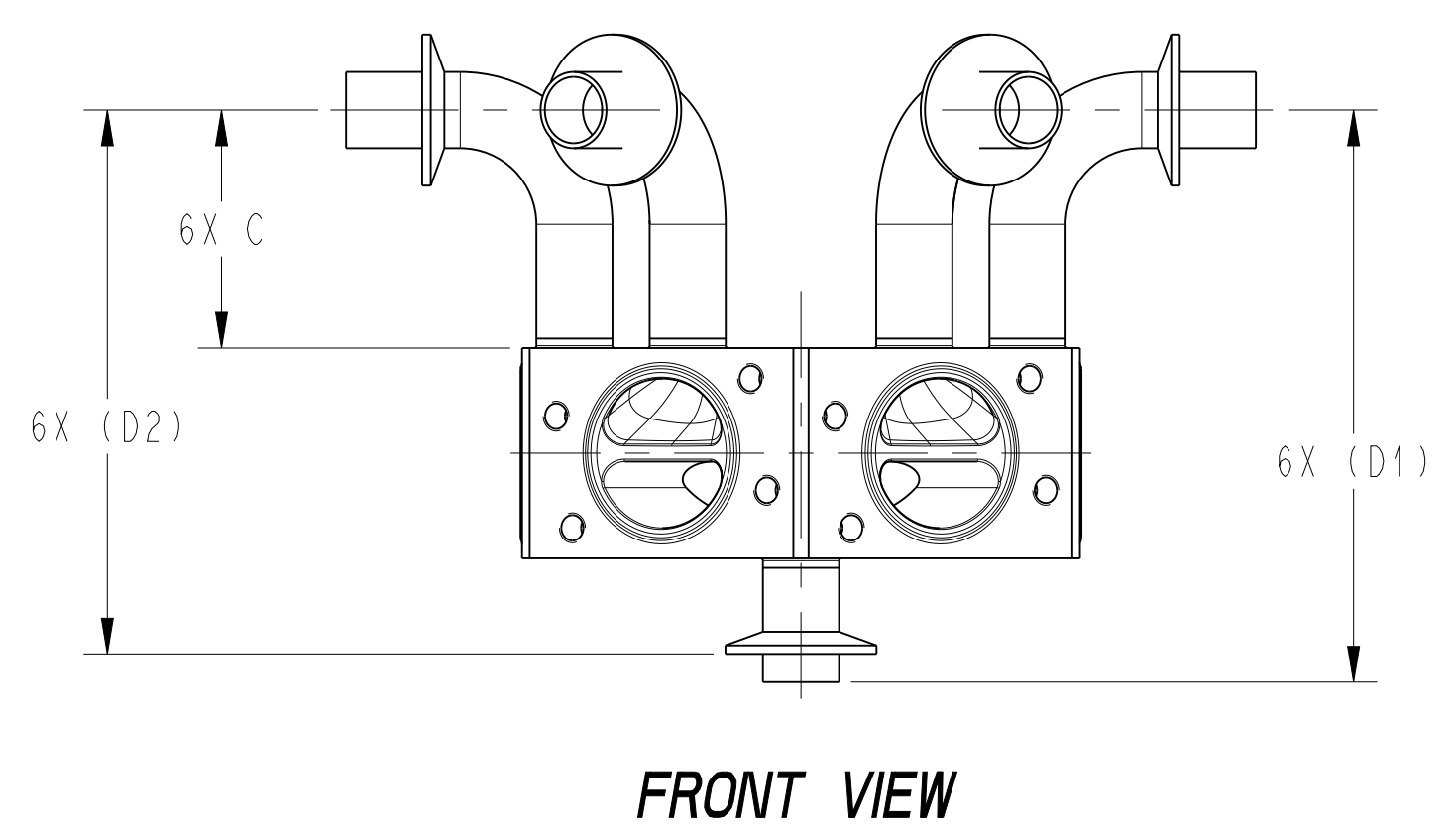
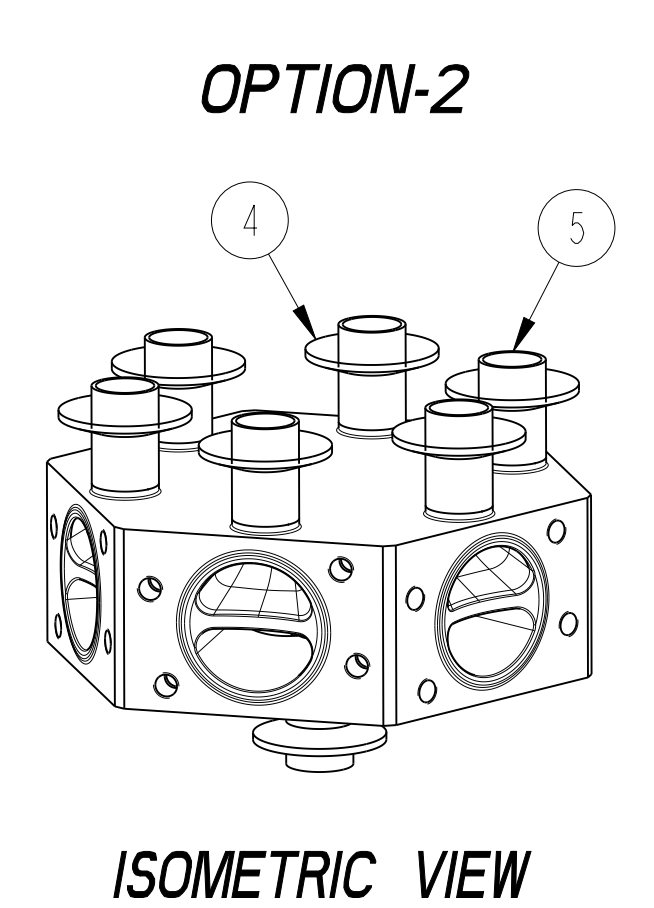
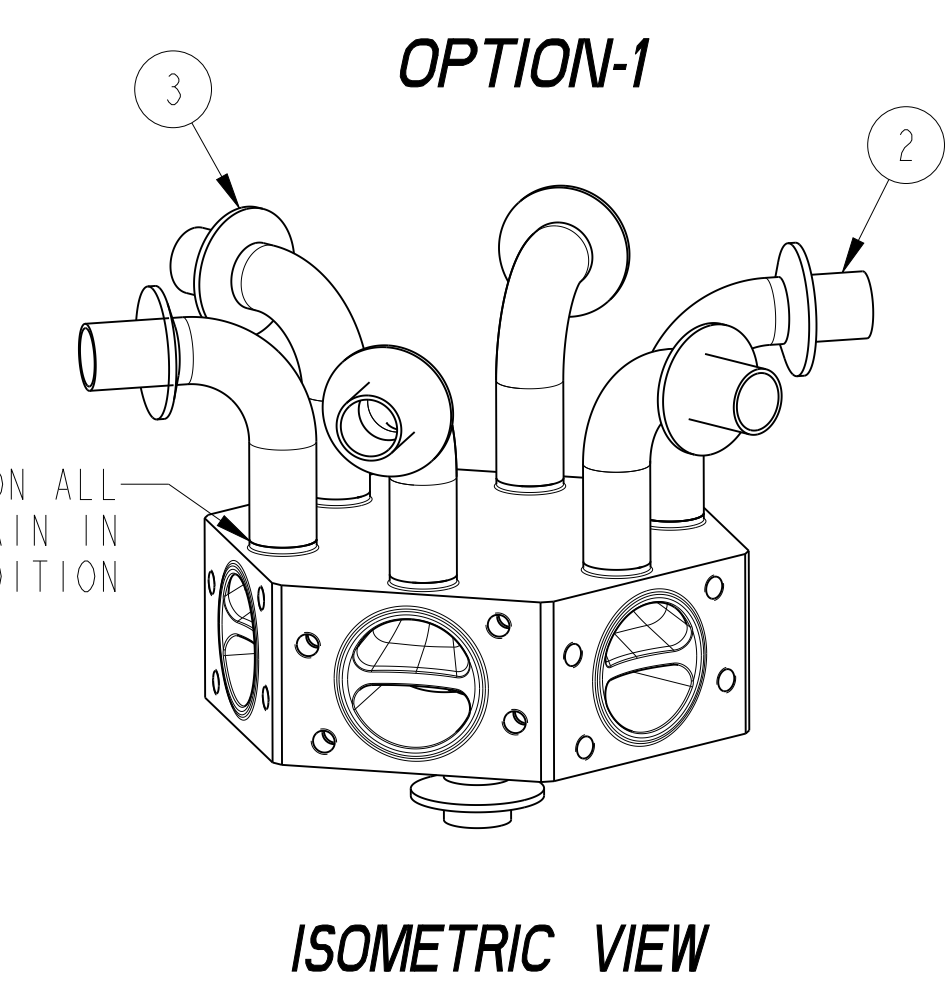
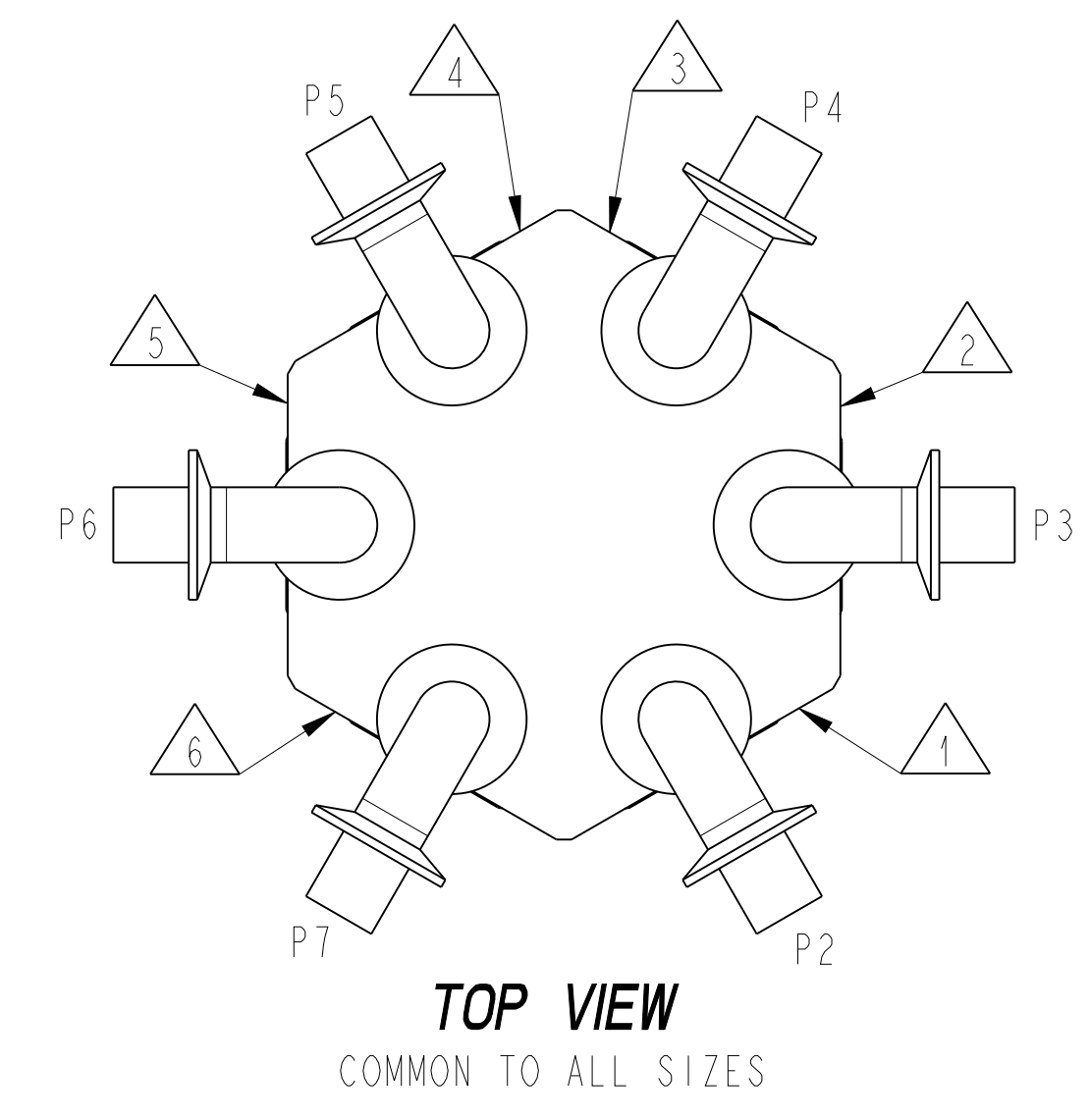
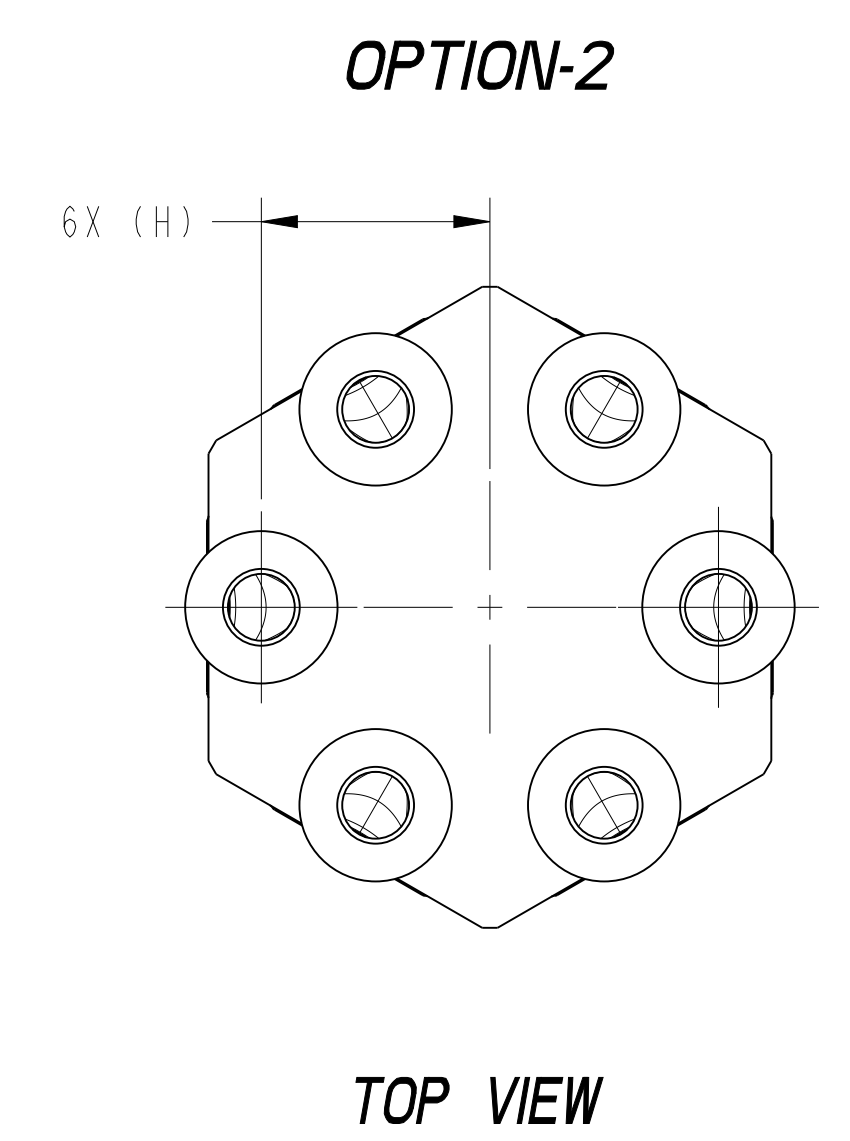
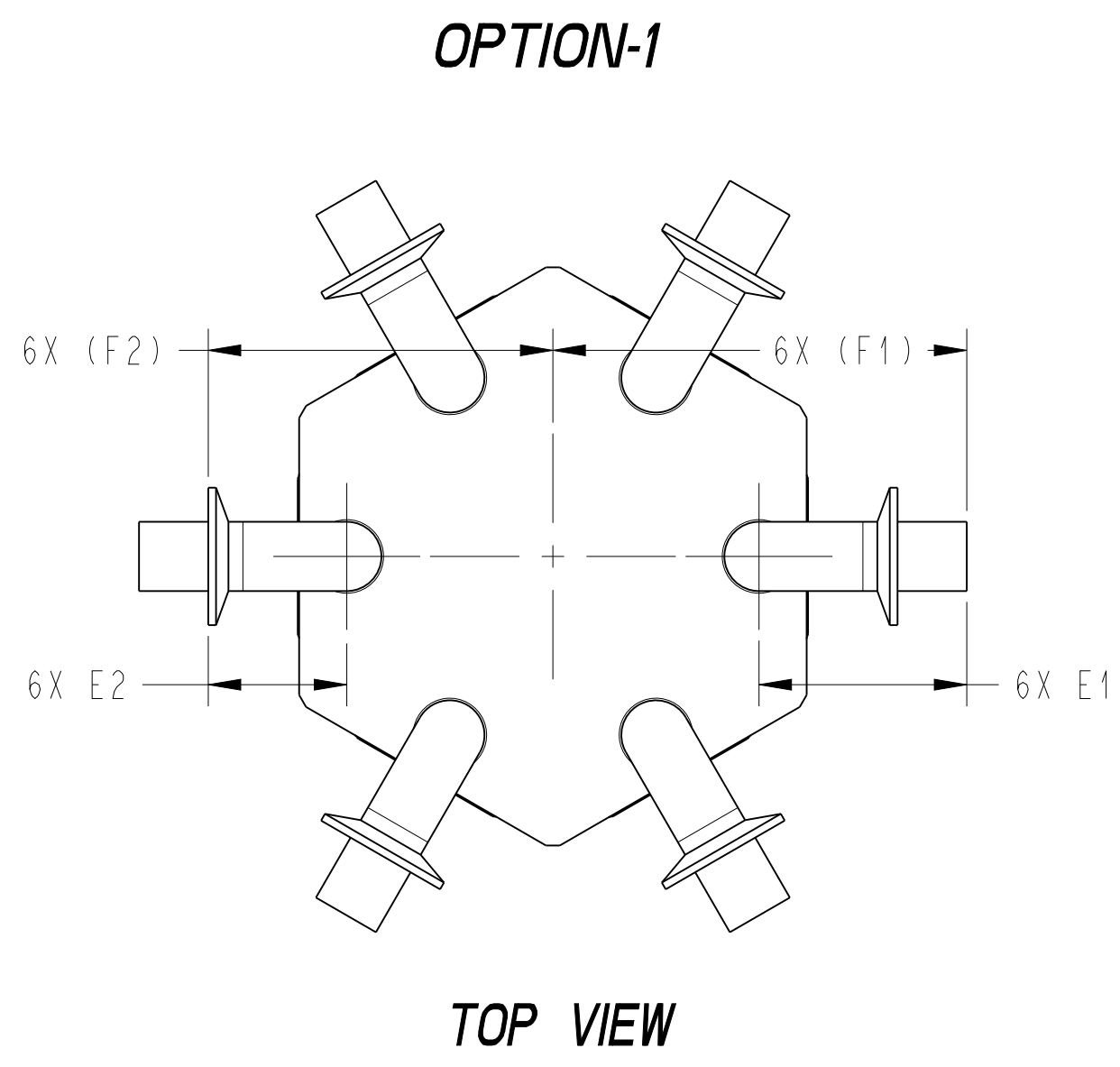
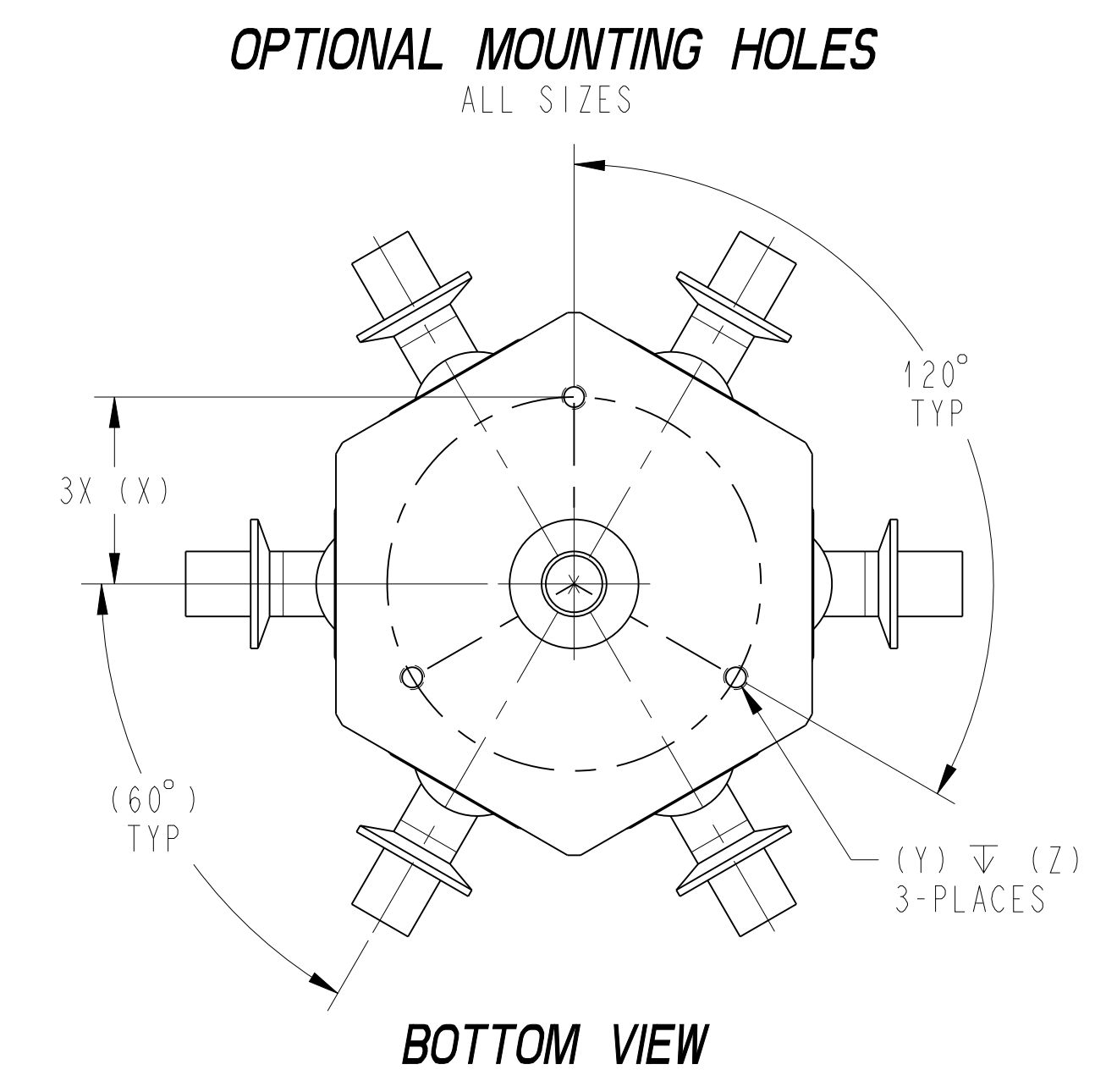


VALVES CONSTRUCTION														OPTIONAL MOUNTING HOLES			
VALVE	A	B1	B2	C	D1	D2	E1	E2	F1	F2	G1	G2	H	L/D	X	Y	Z
0.50		(2.64) [67,1]	(2.27) [57,7]		(6.78) [172,2]	(6.41) [162,8]			(5.38) [136,6]	(4.00) [101,6]	(5.28) [134,1]	(4.54) [115,3]	(2.38) [60,4]	3.7	(2.00) [50,8]	1/4-20 UNC-2B	0.50 [12,7]
0.75R							3.00 [76,2]	1.63 [41,3]	(5.52) [140,3]	(4.15) [105,3]				(2.25) [57,2]			
0.75	1.63 [41,3]	(3.01) [76,3]	(2.64) [66,9]	3.13 [79,4]	(7.51) [190,8]	(7.14) [181,4]			(6.13) [155,8]	(4.76) [120,9]	(6.01) [152,7]	(5.27) [133,9]	(3.13) [79,6]	2.6	(2.88) [73,0]	3/8-18 UNC-2B	0.75 [19,1]
1.00								2.00 [50,8]	(5.98) [151,8]	(4.98) [126,4]				(2.88) [73,0]			
1.50		(3.58) [90,8]	(3.21) [81,4]	3.88 [98,4]	(9.40) [238,8]	(9.03) [229,4]	3.75 [95,3]	2.75 [69,9]	(7.71) [195,8]	(6.71) [170,4]	(7.15) [181,6]	(6.41) [162,8]	(3.96) [100,6]	-	(4.00) [101,6]	1/2-13 UNC-2B	1.00 [25,4]
2.00	1.88 [47,6]	(3.86) [97,9]	(3.24) [82,2]	4.88 [123,8]	(10.71) [272,0]	(10.09) [256,3]	4.75 [120,7]	3.50 [88,9]	(9.00) [228,6]	(7.75) [196,9]	(7.71) [195,8]	(6.47) [164,3]	(4.25) [108,0]	-	(4.50) [114,3]		

LIST OF MAJOR COMPONENTS	
ITEM	DESCRIPTION
1	6DV ENVIZION BODY, (K28581A)
2	ELBOW 90 DEG BPE
3	ELBOW 90 DEG BPE W/ TC
4	FERRULE TRI-CLAMP BW
5	TUBE

TAG NUMBERS	
VALVE NO	
△	VALVE ASSY
1	FIRST VALVE
2	SECOND VALVE
3	THIRD VALVE
4	FOURTH VALVE
5	FIFTH VALVE
6	SIXTH VALVE



INTERNAL WELDS ON ALL ELBOWS WILL REMAIN IN THE AS WELDED CONDITION

NOTE:
 1. "P" NUMBERS INDICATE PORT CONNECTION.
 2. TUBE ENDS MEET OR EXCEED THE FOLLOWING LENGTHS 1/2" - 1-1/2" = 1-1/2" LONG, 2" = 1-3/4" LONG.
 3. VALVE MUST BE INSTALLED WITH P1 VERTICALLY (UP-DOWN) FOR OPTIMAL DRAINABILITY.
 4. ALL INSTANCES MARKED AS "-" MEET L/D OR LESS.

PURE-FLO ORDER: - ITEM: -
 CUSTOMER: -
 CUSTOMER PO: -
 OTHER INFO: -

THIS DOCUMENT IS THE SOLE PROPERTY OF ITT CORPORATION, OR ITS SUBSIDIARY, AND IS PROVIDED SUBJECT TO RETURN. IT IS ISSUED IN STRICT CONFIDENCE AND SHALL NOT BE REPRODUCED, OR COPIED, OR DISCLOSED IN WHOLE OR IN PART, OR USED AS THE BASIS FOR THE MANUFACTURE OR SALES OF APPARATUS OR PARTS TO WHICH THE DOCUMENT RELATES, WITHOUT THE EXPRESS WRITTEN CONSENT OF ITT CORPORATION, OR ITS SUBSIDIARY. THIS LEGEND SHALL BE MARKED ON ANY REPRODUCTION HEREOF, IN WHOLE OR IN PART. ALL RIGHTS TO THE INFORMATION AND DESIGN DISCLOSED HEREIN ARE RESERVED TO ITT CORPORATION, OR ITS SUBSIDIARY.

THIRD ANGLE PROJECTION		UNLESS OTHERWISE NOTED	
		INCH	MM
		X : ± 0.06	X : ± 1.5
		.XX : ± 0.06	.XX : ± 1.5
		.XXX : ± 0.02	.XX : ± 1.5
		X/XX : ± 0.02	.XX : ± 1.5
		Y : ± 0.06	Y : ± 1.5
		Y/XX : ± 0.06	Y : ± 1.5

DATE	BY	DESCRIPTION
09/21/21	LFV	6-WAY DIVERT ENVIZION BODY OPTION-1 & 2 ASSY.
09/21/21	KRP	
09/21/21	TJS	

ITT		Pure-Flo	
www.ittpureflo.com		www.ittpureflo.com	
D	A28585A	SHEET 1 OF 1	REV -
MASTER DWG: A28585A/-	ECN# 18562	ISSUE BY: -	CERT BY: -