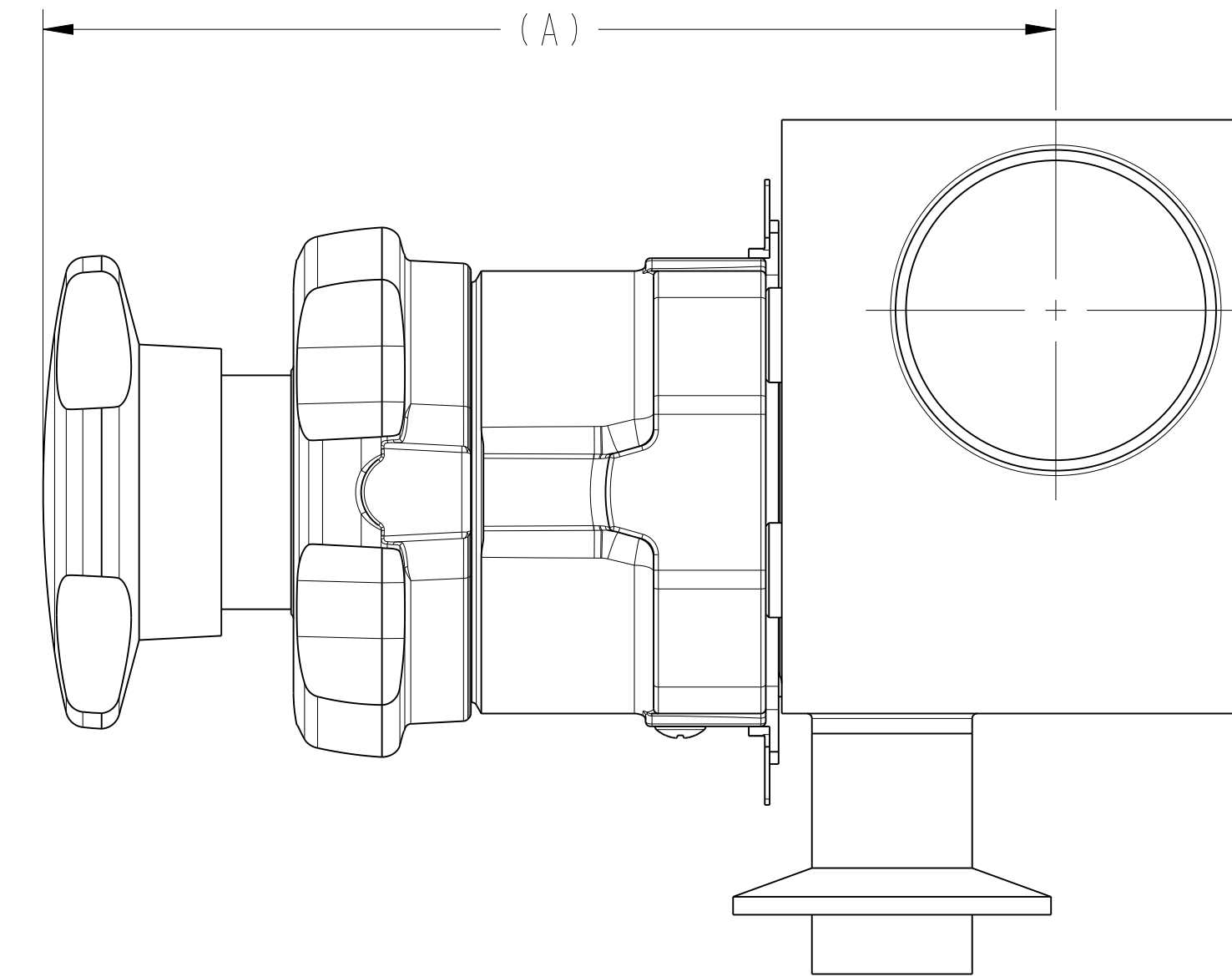




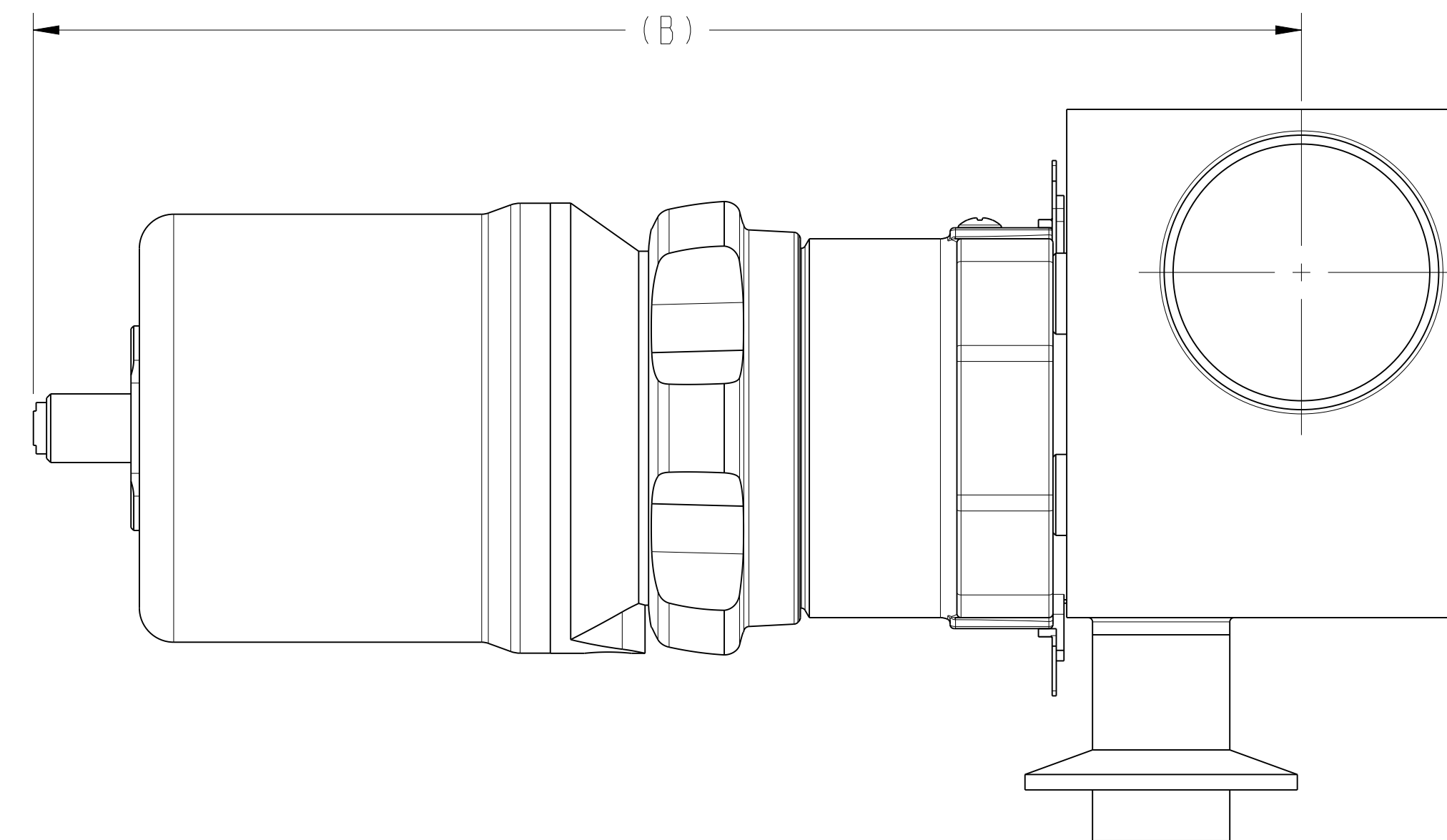
RUN X VALVE	(A)	(B)
1/2" X 1/2"	(4.42) [112,3]	(6.95) [176,5]
3/4" X 1/2"	(4.53) [115,0]	(7.05) [179,1]
1" X 1/2"	(4.66) [118,3]	(7.18) [182,4]
1-1/2" X 1/2"	(4.90) [124,4]	(7.42) [188,5]
2" X 1/2"	(5.07) [128,7]	(7.59) [192,9]
2-1/2" X 1/2"	(5.24) [133,0]	(7.76) [197,2]
3" X 1/2"	(5.38) [136,6]	(7.90) [200,7]
4" X 1/2"	(5.70) [144,7]	(8.22) [208,9]
3/4" x 3/4"R	(4.53) [115,0]	(7.05) [179,1]
1" X 3/4"R	(4.65) [118,0]	(7.17) [182,2]
1-1/2" X 3/4"R	(4.89) [124,1]	(7.41) [188,3]
2" X 3/4"R	(5.06) [128,5]	(7.59) [192,7]
2-1/2" X 3/4"R	(5.23) [132,8]	(7.75) [196,9]
3" X 3/4"R	(5.37) [136,4]	(7.90) [200,6]
4" X 3/4"R	(5.67) [144,1]	(8.20) [208,2]
3/4" X 3/4"	(5.71) [145,0]	(8.63) [219,2]
1" X 3/4"	(5.82) [147,8]	(8.74) [222,0]
1-1/2" X 3/4"	(6.07) [154,2]	(8.99) [228,3]
2" X 3/4"	(6.32) [160,5]	(9.24) [234,7]
2-1/2" X 3/4"	(6.51) [165,4]	(9.43) [239,5]
3" X 3/4"	(6.67) [169,5]	(9.59) [243,6]
4" X 3/4"	(6.97) [177,0]	(9.89) [251,2]
6" X 3/4"	(7.86) [199,6]	(10.78) [273,8]

Ⓔ

RUN X VALVE	(A)	(B)
1" X 1"	(5.82) [147,8]	(8.74) [222,0]
1-1/2" X 1"	(6.07) [154,2]	(8.99) [228,3]
2" X 1"	(6.32) [160,5]	(9.24) [234,7]
2-1/2" X 1"	(6.51) [165,4]	(9.43) [239,5]
3" X 1"	(6.67) [169,5]	(9.59) [243,6]
4" X 1"	(6.97) [177,0]	(9.89) [251,2]
1-1/2" X 1-1/2"	(7.62) [193,5]	(12.61) [320,3]
2" X 1-1/2"	(7.86) [199,6]	(12.85) [326,4]
2-1/2" X 1-1/2"	(8.13) [206,5]	(13.12) [333,2]
3" X 1-1/2"	(8.34) [211,8]	(13.33) [338,6]
4" X 1-1/2"	(8.68) [220,5]	(13.67) [347,2]
2" X 2"	(8.29) [210,6]	(13.28) [337,3]
2-1/2" X 2"	(8.56) [217,5]	(13.55) [344,2]
3" X 2"	(8.78) [223,0]	(13.77) [349,8]
4" X 2"	(9.12) [231,7]	(14.11) [358,4]
6" X 2"	(9.74) [247,4]	(14.73) [374,1]



ENVIION ZERO TORQUE MANUAL BONNET



ENVIION ZERO TORQUE ACTUATED BONNET

PURE-FLO ORDER: - ITEM: -  
 CUSTOMER: -  
 CUSTOMER PO: -  
 OTHER INFO: -

THIS DOCUMENT IS THE SOLE PROPERTY OF ITT CORPORATION, OR ITS SUBSIDIARY, AND IS PROVIDED SUBJECT TO RETURN. IT IS ISSUED IN STRICT CONFIDENCE AND SHALL NOT BE REPRODUCED, OR COPIED, OR DISCLOSED IN WHOLE OR IN PART, OR USED AS THE BASIS FOR THE MANUFACTURE OR SALES OF APPARATUS OR PARTS TO WHICH THE DOCUMENT RELATES, WITHOUT THE EXPRESS WRITTEN CONSENT OF ITT CORPORATION, OR ITS SUBSIDIARY. THIS LEGEND SHALL BE MARKED ON ANY REPRODUCTION HEREOF, IN WHOLE OR IN PART. ALL RIGHTS TO THE INFORMATION AND DESIGN DISCLOSED HEREIN ARE RESERVED TO ITT CORPORATION, OR ITS SUBSIDIARY.

THIRD ANGLE PROJECTION  
  
 UNLESS OTHERWISE SPECIFIED, ALL DIMENSIONS ARE IN INCHES

UNLESS OTHERWISE NOTED  
 INCH MM  
 .X : ± 0.06 X : ± 1.5  
 .XX : ± 0.06 X : ± 1.5  
 .XXX : ± 0.02 X : ± 1.5  
 .X/X : ± 0.02 X : ± 1.5  
 .X : ± 0.02 X : ± 1.5  
 .X : ± 0.02 X : ± 1.5

DATE	BY
06/16/22	LFV
06/16/22	KRP
06/16/22	TJS

ENVIION 1/2"-4" RUN X  
 1/2" - 2" VALVE  
 ZERO STATIC ASSY.  
 MASTER DWG: A28934/F ECN# 18820

ITT  
 www.ittpureflo.com  
 D A28934 SHEET 2 OF 2 REV F  
 ISSUE BY: - CERT BY: -