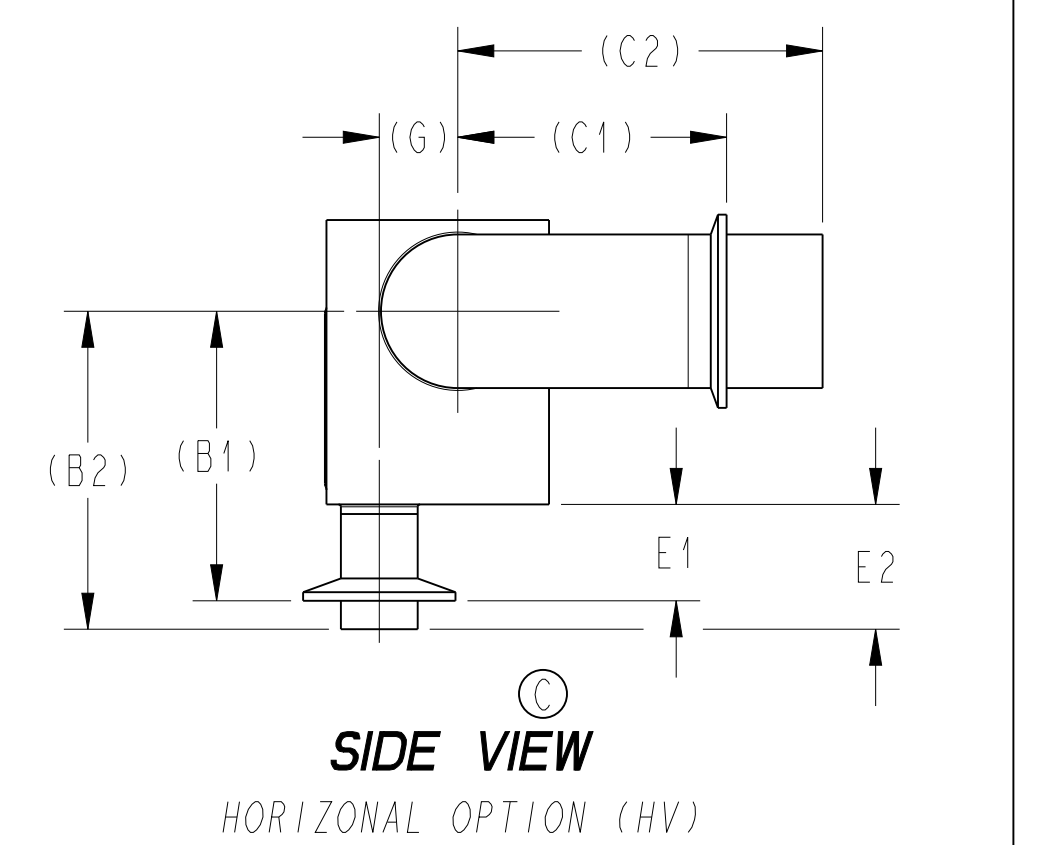
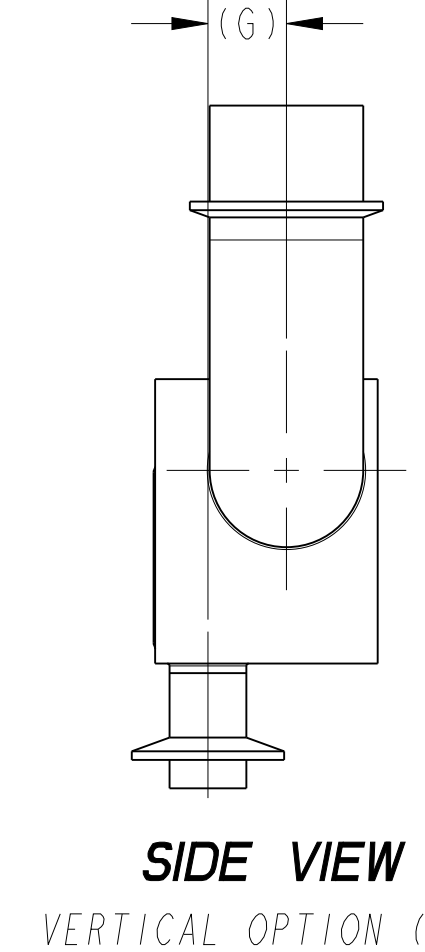
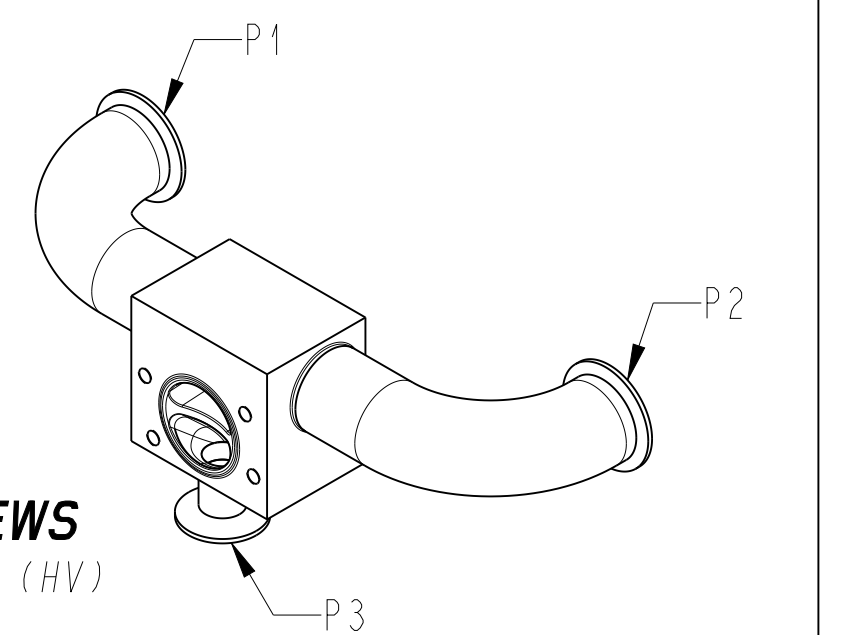
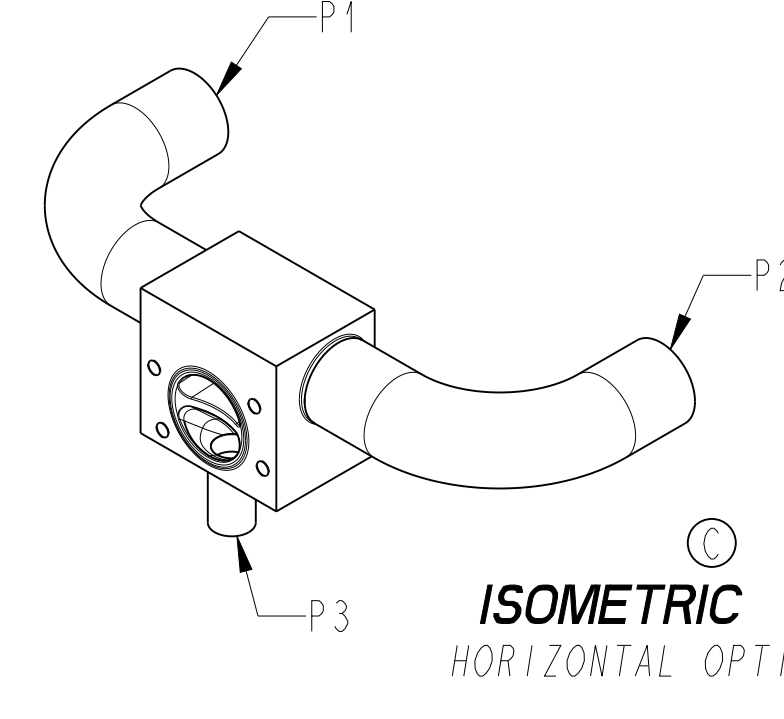
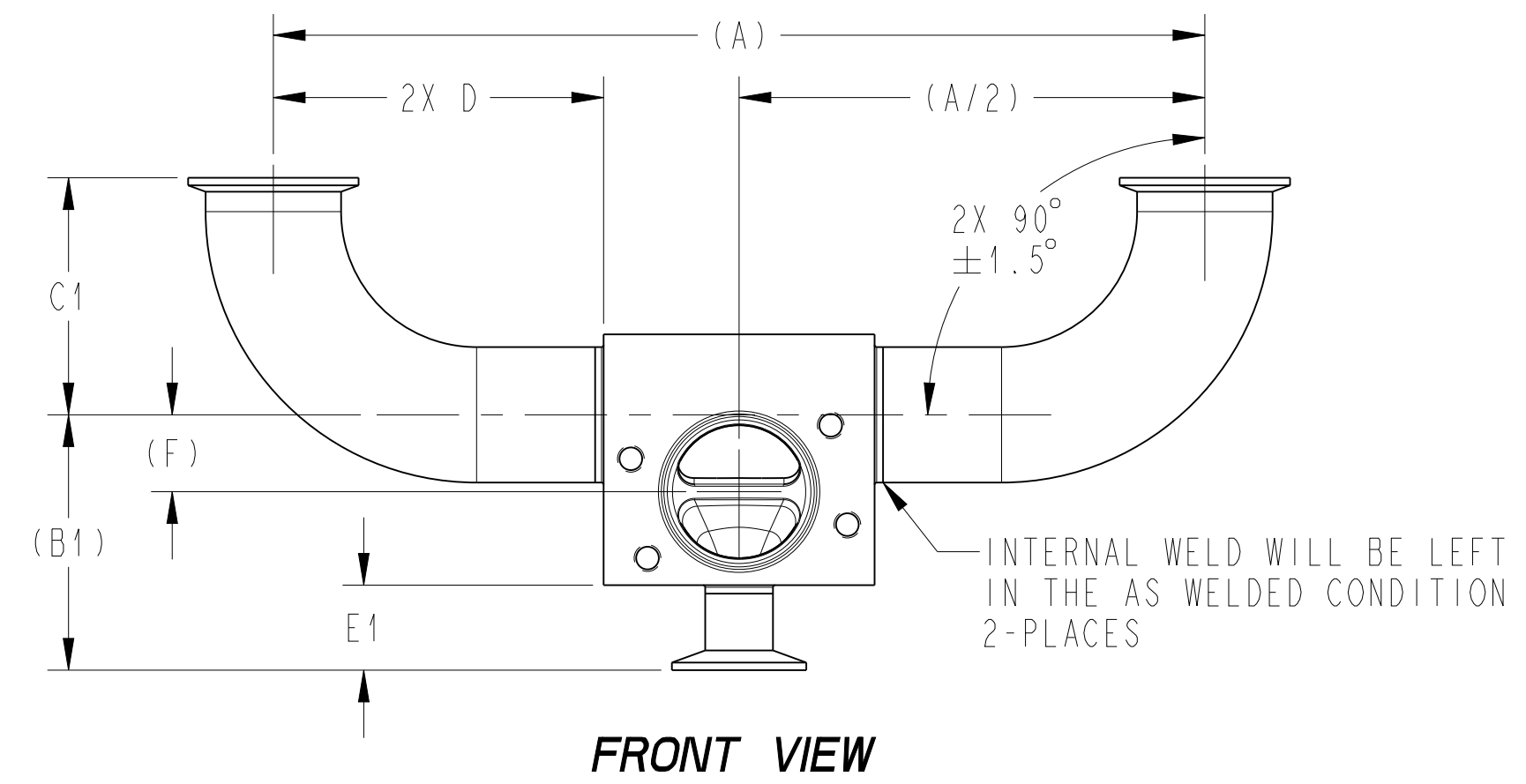
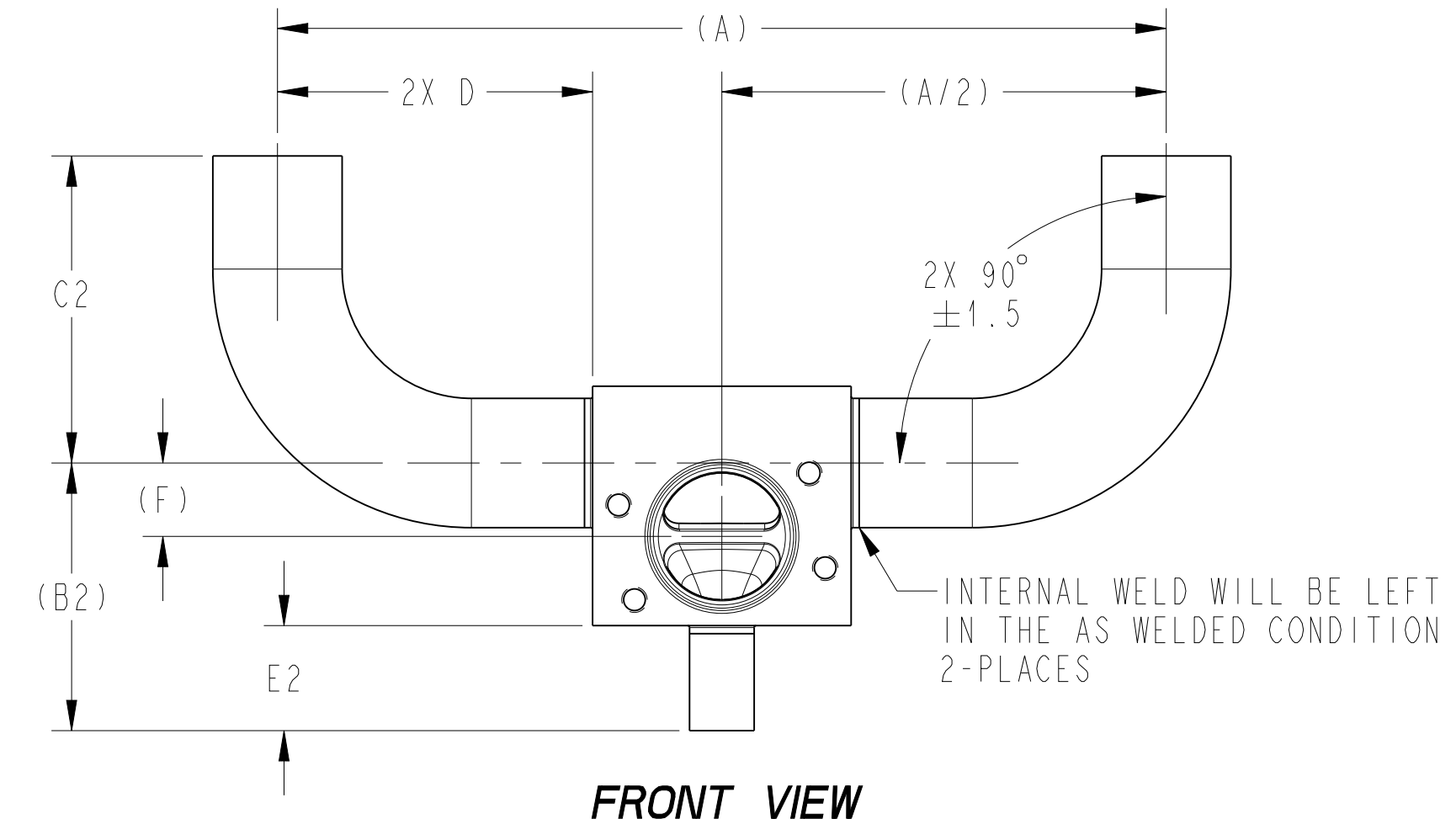
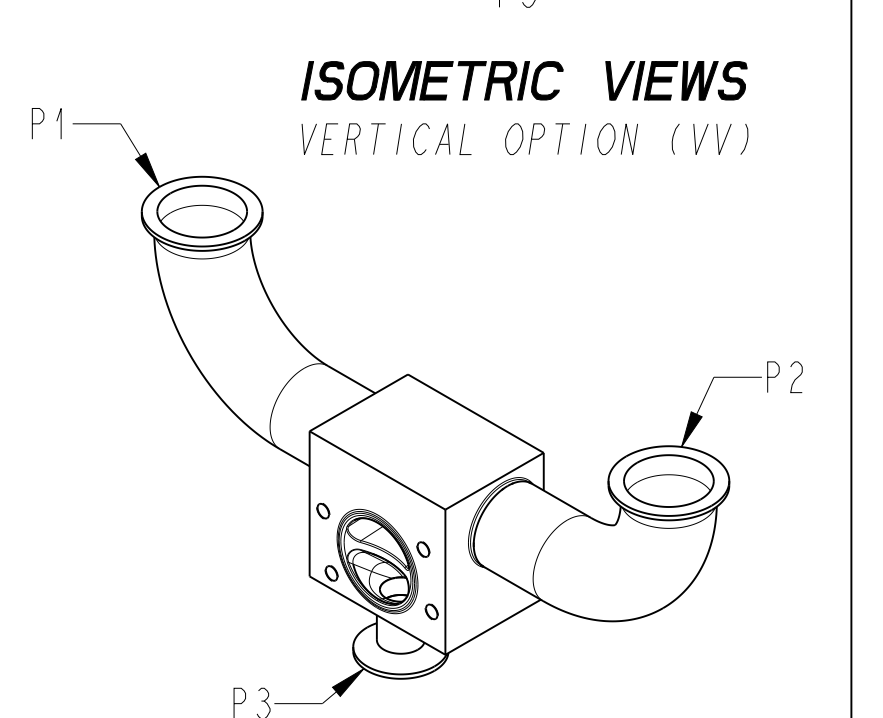
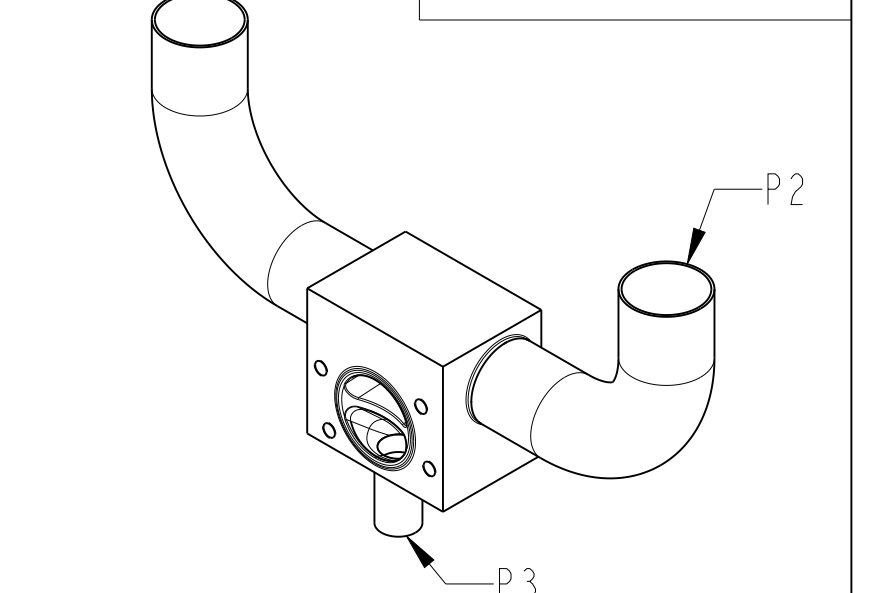
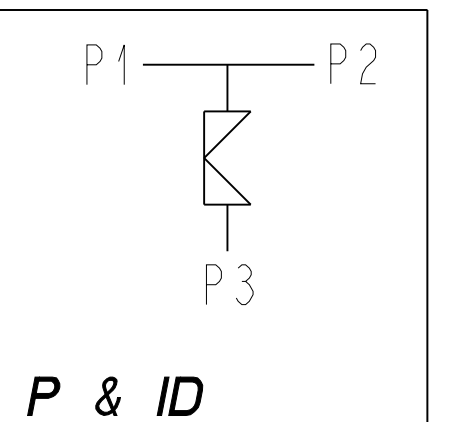


RUN X VALVE	(A)	(B1)	(B2)	C1	C2	D	E1	E2	F	(G)	BODY DWG
1/2" X 1/2"	(8.85) [224,8]	(2.60) [65,9]	(2.97) [75,3]	1.63 [41,3]	3.00 [76,2]	3.13 [79,4]	1.26 [31,9]	1.63 [41,3]	(0.33) [8,3]	(0.50) [12,7]	122868
3/4" X 1/2"	(8.85) [224,8]	(2.73) [69,3]	(3.10) [78,7]	1.63 [41,3]	3.00 [76,2]	3.13 [79,4]			(0.46) [11,6]	(0.61) [15,4]	
1" X 1/2"	(8.85) [224,8]	(2.86) [72,7]	(3.23) [82,0]	2.00 [50,8]	3.00 [76,2]	3.13 [79,4]			(0.59) [15,0]	(0.74) [18,7]	
1-1/2" X 1/2"	(10.35) [262,9]	(3.13) [79,4]	(3.50) [88,8]	2.75 [69,9]	3.75 [95,3]	3.88 [98,4]			(0.86) [21,7]	(0.98) [24,8]	
2" X 1/2"	(12.35) [313,7]	(3.39) [86,0]	(3.76) [95,4]	3.50 [88,9]	4.75 [120,7]	4.88 [123,8]			(1.12) [28,3]	(1.15) [29,2]	
2-1/2" X 1/2"	(13.85) [351,8]	(3.65) [92,6]	(4.02) [102,0]	4.25 [108,0]	5.50 [139,7]	5.63 [142,9]			(1.38) [35,0]	(1.32) [33,4]	
3" X 1/2"	(15.35) [389,9]	(3.91) [99,2]	(4.28) [108,6]	5.00 [127,0]	6.25 [158,8]	6.38 [161,9]			(1.64) [41,6]	(1.46) [37,0]	
4" X 1/2"	(18.85) [478,8]	(4.41) [112,0]	(4.78) [121,4]	6.63 [168,3]	8.00 [203,2]	8.13 [206,4]			(2.14) [54,3]	(1.78) [45,1]	

3/4" X 3/4"R	(8.85) [224,8]	(2.73) [69,3]	(3.10) [78,7]	1.63 [41,3]	3.00 [76,2]	3.13 [79,4]	1.26 [31,9]	1.63 [41,3]	(0.46) [11,6]	(0.45) [11,4]	123947
1" X 3/4"R	(8.85) [224,8]	(2.86) [72,6]	(3.23) [82,0]	2.00 [50,8]	3.00 [76,2]	3.13 [79,4]			(0.59) [15,0]	(0.57) [14,5]	
1-1/2" X 3/4"R	(10.35) [262,9]	(3.12) [79,4]	(3.49) [88,8]	2.75 [69,9]	3.75 [95,3]	3.88 [98,4]			(0.85) [21,7]	(0.81) [20,6]	
2" X 3/4"R	(12.35) [313,7]	(3.39) [86,0]	(3.76) [95,4]	3.50 [88,9]	4.75 [120,7]	4.88 [123,8]			(1.12) [28,3]	(0.98) [24,9]	
2-1/2" X 3/4"R	(13.85) [351,8]	(3.65) [92,6]	(4.02) [102,0]	4.25 [108,0]	5.50 [139,7]	5.63 [142,9]			(1.38) [35,0]	(1.15) [29,2]	
3" X 3/4"R	(15.35) [389,9]	(3.91) [99,2]	(4.28) [108,6]	5.00 [127,0]	6.25 [158,8]	6.38 [161,9]			(1.64) [41,6]	(1.30) [32,9]	
4" X 3/4"R	(18.85) [478,8]	(4.41) [111,9]	(4.78) [121,3]	6.63 [168,3]	8.00 [203,2]	8.13 [206,4]			(2.14) [54,3]	(1.60) [40,5]	

3/4" X 3/4"	(10.25) [260,4]	(3.11) [78,9]	(3.48) [88,3]	1.63 [41,3]	3.00 [76,2]	3.13 [79,4]	1.26 [31,9]	1.63 [41,3]	(0.47) [12,0]	(0.57) [14,5]	122870
1" X 3/4"	(10.25) [260,4]	(3.24) [82,3]	(3.61) [91,7]	2.00 [50,8]	3.00 [76,2]	3.13 [79,4]			(0.60) [15,3]	(0.68) [17,3]	
1-1/2" X 3/4"	(11.75) [298,5]	(3.50) [89,0]	(3.87) [98,4]	2.75 [69,9]	3.75 [95,3]	3.88 [98,4]			(0.87) [22,1]	(0.93) [23,6]	
2" X 3/4"	(13.75) [349,3]	(3.77) [95,8]	(4.14) [105,2]	3.50 [88,9]	4.75 [120,7]	4.88 [123,8]			(1.14) [28,8]	(1.18) [30,0]	
2-1/2" X 3/4"	(15.25) [387,4]	(4.03) [102,4]	(4.40) [111,8]	4.25 [108,0]	5.50 [139,7]	5.63 [142,9]			(1.40) [35,5]	(1.37) [34,8]	
3" X 3/4"	(16.75) [425,5]	(4.29) [109,0]	(4.66) [118,4]	5.00 [127,0]	6.25 [158,8]	6.38 [161,9]			(1.66) [42,1]	(1.53) [38,9]	
4" X 3/4"	(20.25) [514,4]	(4.79) [121,8]	(5.16) [131,2]	6.63 [168,3]	8.00 [203,2]	8.13 [206,4]			(2.16) [54,8]	(1.83) [46,5]	

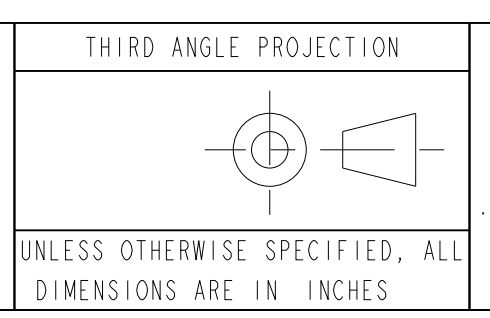
1" X 1"	(10.25) [260,4]	(3.24) [82,3]	(3.61) [91,7]	2.00 [50,8]	3.00 [76,2]	3.13 [79,4]	1.26 [31,9]	1.63 [41,3]	(0.60) [15,3]	(0.52) [13,3]	122871
1-1/2" X 1"	(11.75) [298,5]	(3.50) [89,0]	(3.87) [98,4]	2.75 [69,9]	3.75 [95,3]	3.88 [98,4]			(0.87) [22,1]	(0.77) [19,6]	
2" X 1"	(13.75) [349,3]	(3.77) [95,8]	(4.14) [105,2]	3.50 [88,9]	4.75 [120,7]	4.88 [123,8]			(1.14) [28,8]	(1.02) [26,0]	
2-1/2" X 1"	(15.25) [387,4]	(4.03) [102,4]	(4.40) [111,8]	4.25 [108,0]	5.50 [139,7]	5.63 [142,9]			(1.40) [35,5]	(1.21) [30,8]	
3" X 1"	(16.75) [425,5]	(4.29) [109,0]	(4.66) [118,4]	5.00 [127,0]	6.25 [158,8]	6.38 [161,9]			(1.66) [42,1]	(1.37) [34,9]	
4" X 1"	(20.25) [514,4]	(4.79) [121,8]	(5.16) [131,2]	6.63 [168,3]	8.00 [203,2]	8.13 [206,4]			(2.16) [54,8]	(1.67) [42,5]	
1-1/2" X 1-1/2"	(13.13) [333,4]	(4.09) [103,9]	(4.46) [113,3]	2.75 [69,9]	3.75 [95,3]	3.88 [98,4]	1.26 [31,9]	1.63 [41,3]	(0.88) [22,5]	(0.51) [13,0]	123223
2" X 1-1/2"	(15.13) [384,2]	(4.35) [110,6]	(4.72) [120,0]	3.50 [88,9]	4.75 [120,7]	4.88 [123,8]			(1.15) [29,2]	(0.75) [19,1]	
2-1/2" X 1-1/2"	(16.63) [422,3]	(4.62) [117,4]	(4.99) [126,8]	4.25 [108,0]	5.50 [139,7]	5.63 [142,9]			(1.42) [36,0]	(1.02) [25,9]	
3" X 1-1/2"	(18.13) [460,4]	(4.88) [124,1]	(5.25) [133,5]	5.00 [127,0]	6.25 [158,8]	6.38 [161,9]			(1.68) [42,7]	(1.23) [31,2]	
4" X 1-1/2"	(21.63) [549,3]	(5.39) [136,9]	(5.76) [146,3]	6.63 [168,3]	8.00 [203,2]	8.13 [206,4]	1.26 [31,9]	1.88 [47,6]	(2.18) [55,5]	(1.57) [39,9]	123494
2" X 2"	(15.64) [397,3]	(4.39) [111,6]	(5.01) [127,4]	3.50 [88,9]	4.75 [120,7]	4.88 [123,8]			(1.15) [29,3]	(0.50) [12,7]	
2-1/2" X 2"	(17.14) [435,4]	(4.66) [118,4]	(5.28) [134,2]	4.25 [108,0]	5.50 [139,7]	5.63 [142,9]			(1.42) [36,1]	(0.77) [19,6]	
3" X 2"	(18.64) [473,5]	(4.93) [125,1]	(5.55) [140,9]	5.00 [127,0]	6.25 [158,8]	6.38 [161,9]			(1.69) [42,8]	(0.99) [25,1]	
4" X 2"	(22.14) [562,4]	(5.43) [137,9]	(6.05) [153,7]	6.63 [168,3]	8.00 [203,2]	8.13 [206,4]	(2.19) [55,6]	(1.33) [33,8]			



UNLESS OTHERWISE SPECIFIED, ALL DIMENSIONS IN BRACKETS [] ARE MILLIMETERS.

PURE-FLO ORDER: _____ ITEM: _____
 CUSTOMER: _____
 CUSTOMER PO: _____
 OTHER INFO: _____

THIS DOCUMENT IS THE SOLE PROPERTY OF ITT CORPORATION, OR ITS SUBSIDIARY, AND IS PROVIDED SUBJECT TO RETURN. IT IS ISSUED IN STRICT CONFIDENCE AND SHALL NOT BE REPRODUCED, OR COPIED, OR DISCLOSED IN WHOLE OR IN PART, OR USED AS THE BASIS FOR THE MANUFACTURE OR SALES OF APPARATUS OR PARTS TO WHICH THE DOCUMENT RELATES, WITHOUT THE EXPRESS WRITTEN CONSENT OF ITT CORPORATION, OR ITS SUBSIDIARY. THIS LEGEND SHALL BE MARKED ON ANY REPRODUCTION HEREOF, IN WHOLE OR IN PART. ALL RIGHTS TO THE INFORMATION AND DESIGN DISCLOSED HEREIN ARE RESERVED TO ITT CORPORATION, OR ITS SUBSIDIARY.



UNLESS OTHERWISE NOTED
 INCH
 X: ± 0.06
 XX: ± 0.06
 XXX: ± 0.02
 XXXX: ± 0.01
 XXXX: ± 1/16
 XXXX: ± 1/8

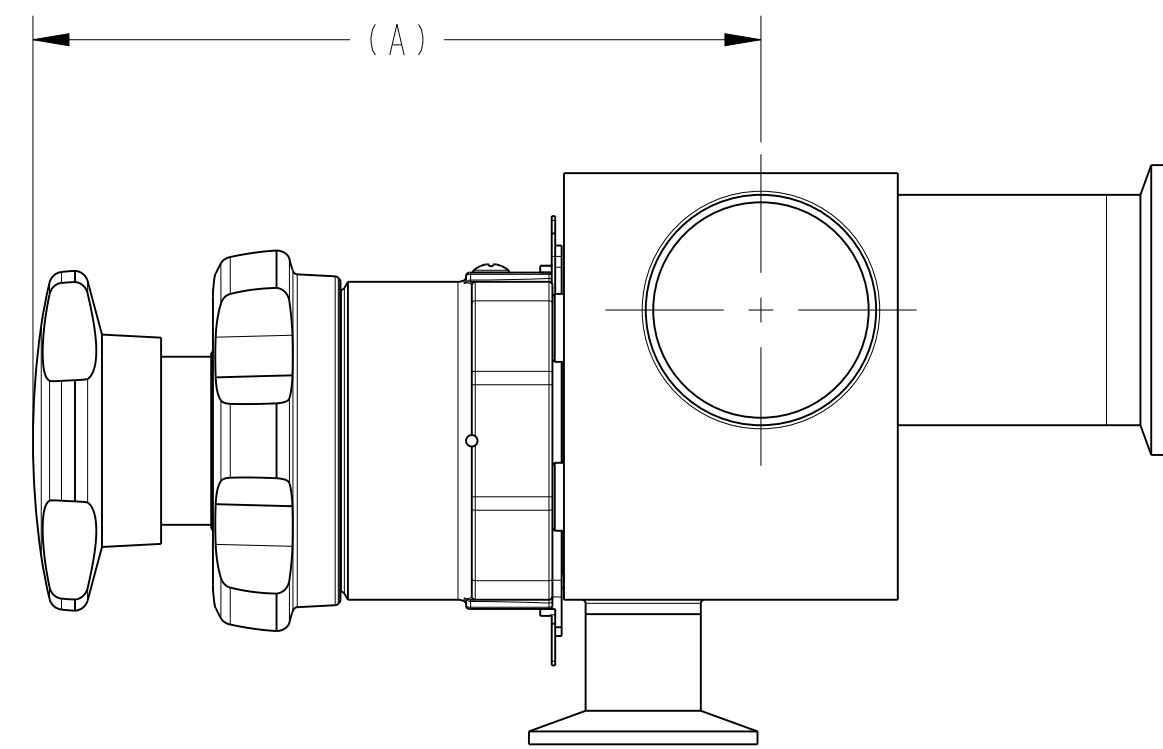
DATE	BY
09/20/18	LFV
09/20/18	NLD
09/20/18	MMA

ENVIZION 1/2" - 4" RUN X 1/2" - 2" VALVE ZERO STATIC U-ASSY.
 MASTER DWG: A28935/C ECN# 17098

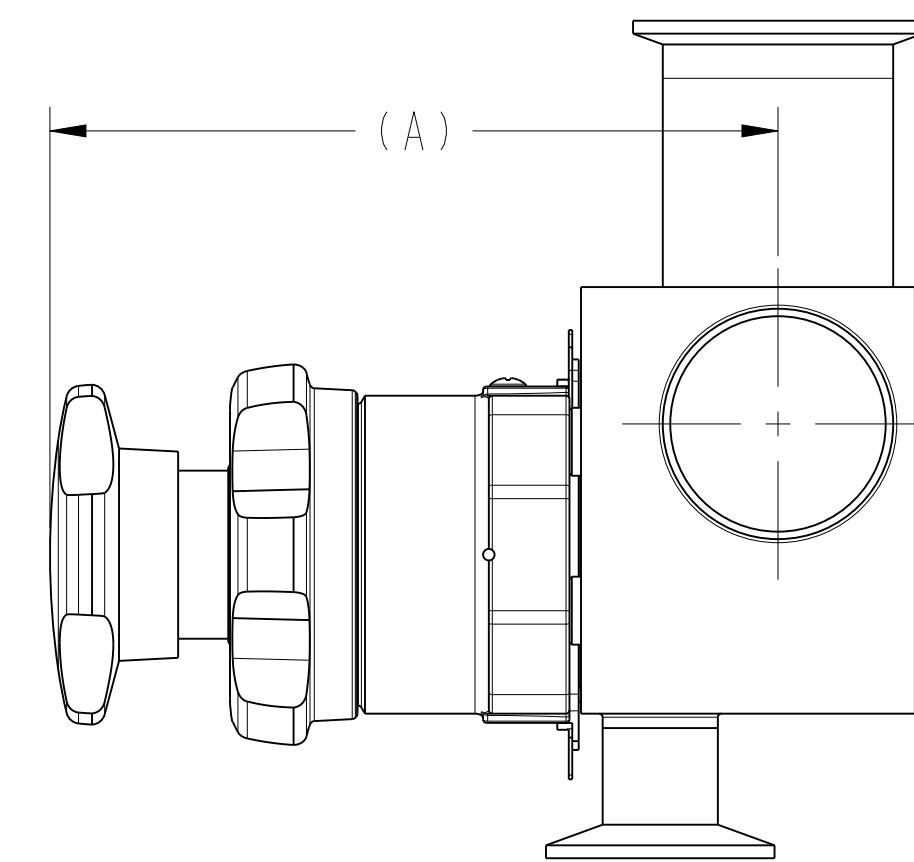
ITT
 www.ittpureflo.com
 SHEET 1 OF 2
 REV C
 D A28935
 ISSUE BY: _____ CERT BY: _____

RUN X VALVE	(A)	(B)
1/2" X 1/2"	(4.42) [112,3]	(6.95) [176,5]
3/4" X 1/2"	(4.53) [115,0]	(7.05) [179,1]
1" X 1/2"	(4.66) [118,3]	(7.18) [182,4]
1-1/2" X 1/2"	(4.90) [124,4]	(7.42) [188,5]
2" X 1/2"	(5.07) [128,7]	(7.59) [192,9]
2-1/2" X 1/2"	(5.24) [133,0]	(7.76) [197,2]
3" X 1/2"	(5.38) [136,6]	(7.90) [200,7]
4" X 1/2"	(5.70) [144,7]	(8.22) [208,9]
3/4" X 3/4"R	(4.53) [115,0]	(7.05) [179,1]
1" X 3/4"R	(4.65) [118,0]	(7.17) [182,2]
1-1/2" X 3/4"R	(4.89) [124,1]	(7.41) [188,3]
2" X 3/4"R	(5.06) [128,5]	(7.59) [192,7]
2-1/2" X 3/4"R	(5.23) [132,8]	(7.75) [196,9]
3" X 3/4"R	(5.37) [136,4]	(7.90) [200,6]
4" X 3/4"R	(5.67) [144,1]	(8.20) [208,2]

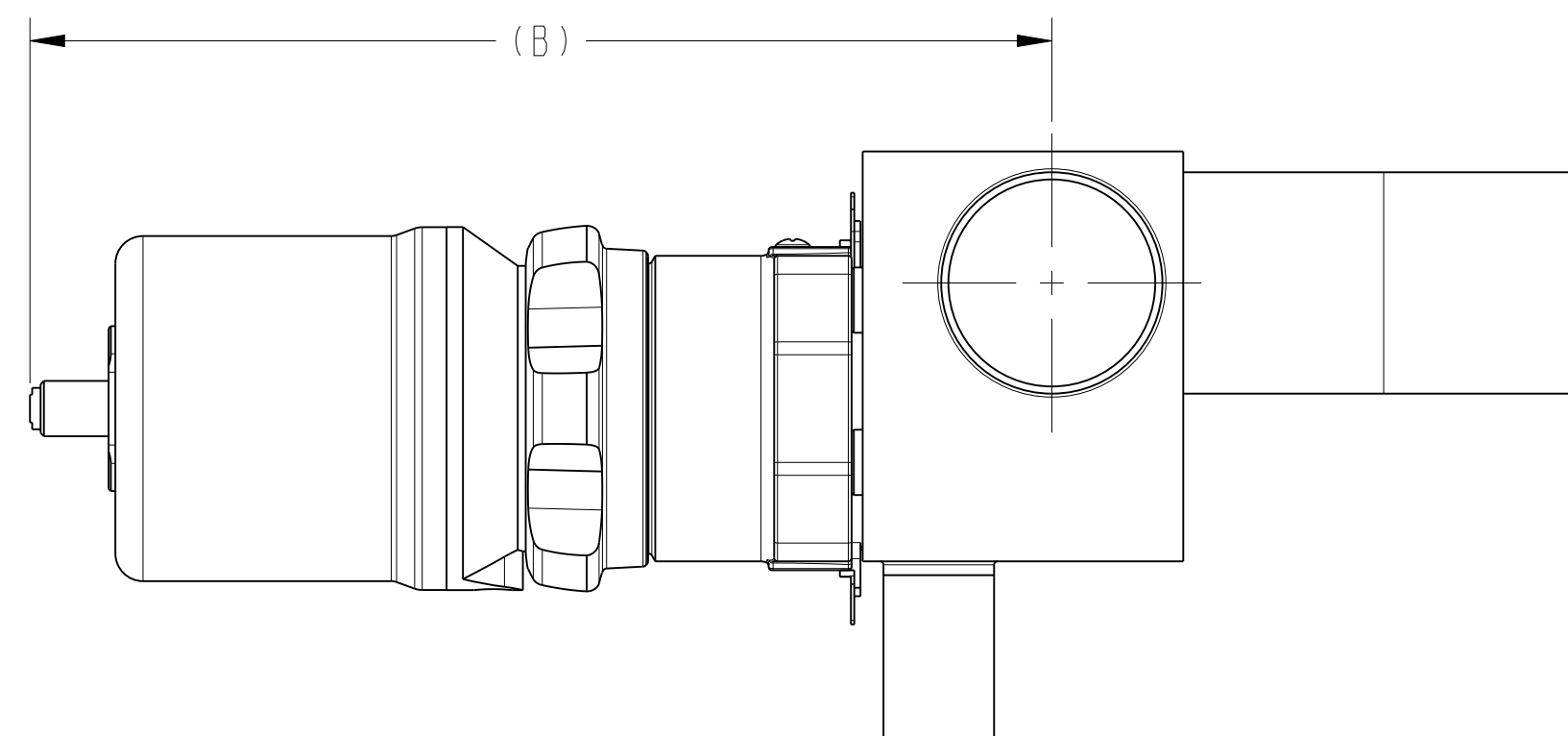
RUN X VALVE	(A)	(B)
1" X 1"	(5.82) [147,8]	(8.74) [221,9]
1-1/2" X 1"	(6.07) [154,2]	(8.99) [228,3]
2" X 1"	(6.32) [160,5]	(9.24) [234,6]
2-1/2" X 1"	(6.51) [165,4]	(9.43) [239,5]
3" X 1"	(6.67) [169,5]	(9.59) [243,6]
4" X 1"	(6.97) [177,0]	(9.89) [251,2]
1-1/2" X 1-1/2"	(7.62) [193,5]	(12.61) [320,3]
2" X 1-1/2"	(7.86) [199,6]	(12.85) [326,4]
2-1/2" X 1-1/2"	(8.13) [206,5]	(13.12) [333,2]
3" X 1-1/2"	(8.34) [211,8]	(13.33) [338,6]
4" X 1-1/2"	(8.68) [220,5]	(13.67) [347,2]
2" X 2"	(8.29) [210,6]	(13.28) [337,3]
2-1/2" X 2"	(8.56) [217,5]	(13.55) [344,2]
3" X 2"	(8.78) [223,0]	(13.77) [349,8]
4" X 2"	(9.12) [231,7]	(14.11) [358,4]



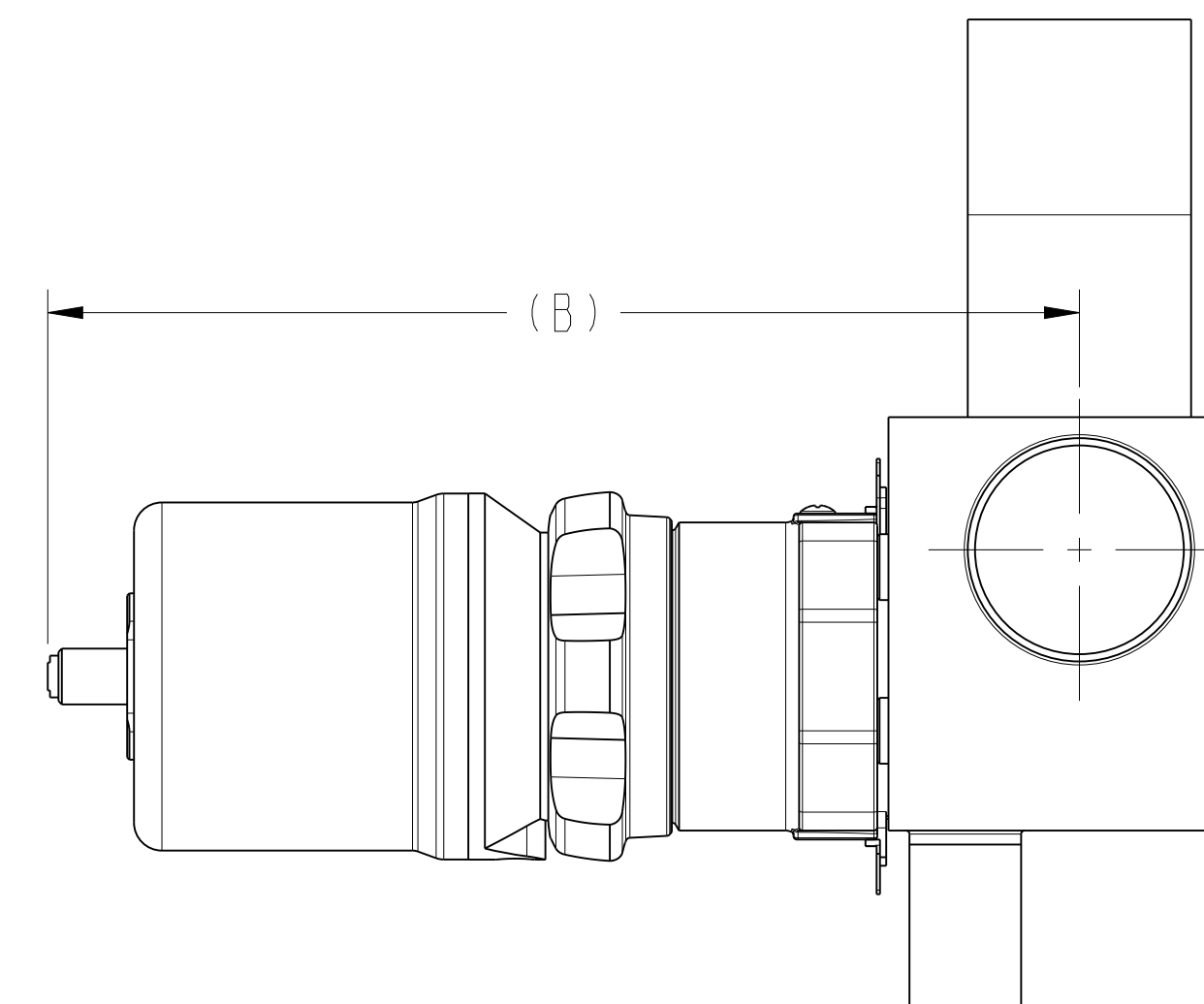
ENVIZION ZERO TORQUE MANUAL BONNET
HORIZONTAL OPTION (HV)



ENVIZION ZERO TORQUE MANUAL BONNET
VERTICAL OPTION (VV)



ENVIZION ZERO TORQUE ACTUATED BONNET
HORIZONTAL OPTION (HV)



ENVIZION ZERO TORQUE ACTUATED BONNET
VERTICAL OPTION (VV)

UNLESS OTHERWISE SPECIFIED, ALL DIMENSIONS IN BRACKETS [] ARE MILLIMETERS.

PURE-FLO ORDER: -	ITEM: -
CUSTOMER: -	
CUSTOMER PO: -	
OTHER INFO: -	

THIS DOCUMENT IS THE SOLE PROPERTY OF ITT CORPORATION, OR ITS SUBSIDIARY, AND IS PROVIDED SUBJECT TO RETURN. IT IS ISSUED IN STRICT CONFIDENCE AND SHALL NOT BE REPRODUCED, OR COPIED, OR DISCLOSED IN WHOLE OR IN PART, OR USED AS THE BASIS FOR THE MANUFACTURE OR SALES OF APPARATUS OR PARTS TO WHICH THE DOCUMENT RELATES, WITHOUT THE EXPRESS WRITTEN CONSENT OF ITT CORPORATION, OR ITS SUBSIDIARY. THIS LEGEND SHALL BE MARKED ON ANY REPRODUCTION HEREOF, IN WHOLE OR IN PART. ALL RIGHTS TO THE INFORMATION AND DESIGN DISCLOSED HEREIN ARE RESERVED TO ITT CORPORATION, OR ITS SUBSIDIARY.

THIRD ANGLE PROJECTION	UNLESS OTHERWISE NOTED
	INCH
	MM
	X : ± 0.06
	.XX : ± 0.06
	.XXX : ± 0.02
	X/XX : ± 1/16
	X : ± 1.5
	.XX : ± 1.5
	X : ± 3
	.X : ± 3

DATE	BY
09/20/18	LFV
DATE	BY
09/20/18	NLD
DATE	BY
09/20/18	MMA

ENVIZION 1/2" - 4" RUN X 1/2" - 2" VALVE ZERO STATIC U-ASSY.
MASTER DWG: A28935/C
ECN# 17098

	Pure-Flo www.ittpureflo.com
D	A28935
SHEET 2 OF 2	REV C
ISSUE BY: -	CERT BY: -