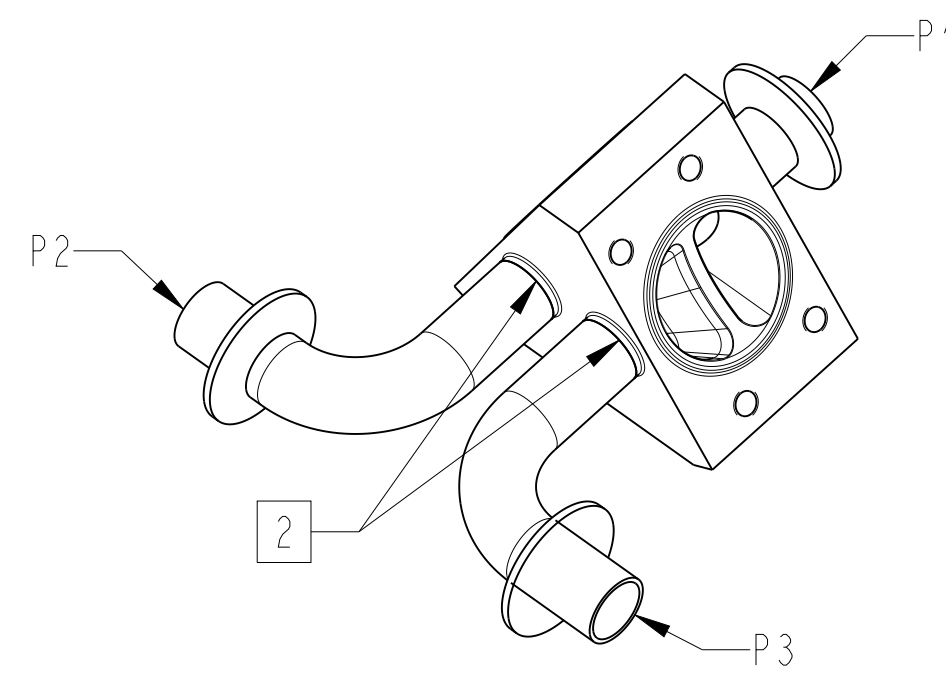
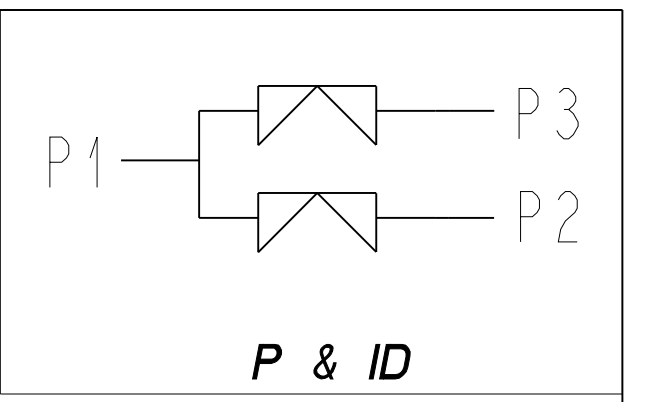
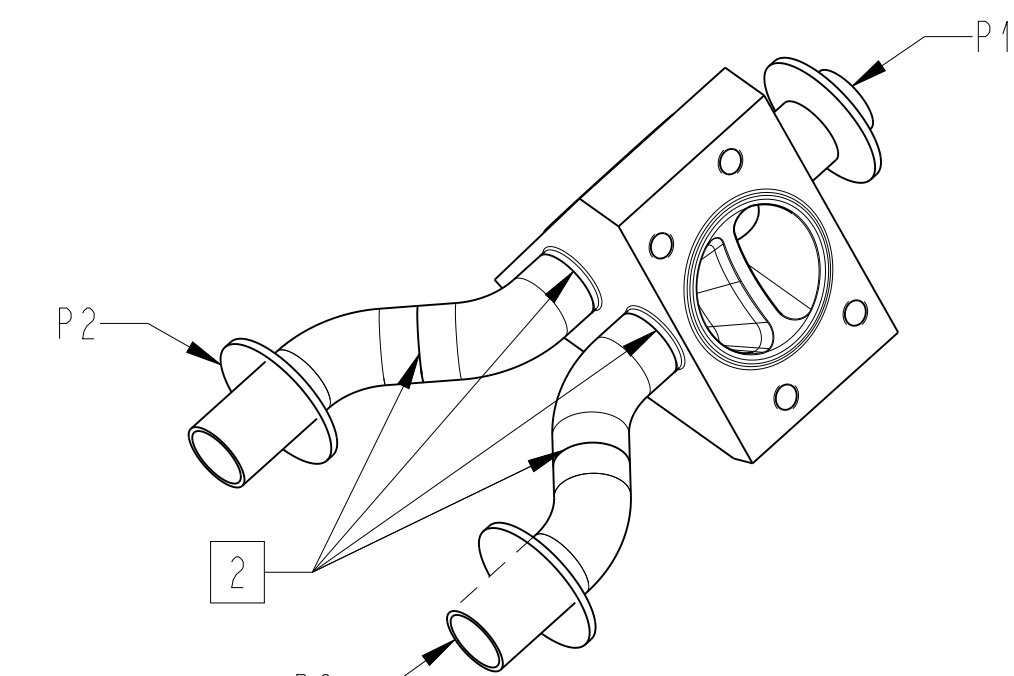


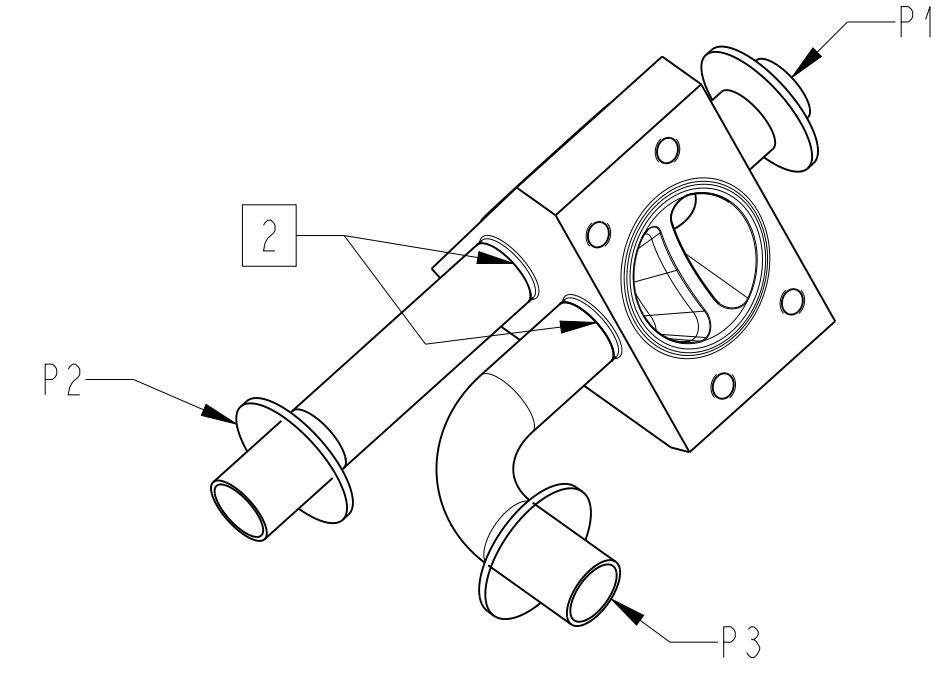
VALVE SIZE	BODY DWG	APPLY TO ALL VALVES																				OPTIONAL MOUNTING HOLES ONLY				
		A1	A2	(B1)	(B2)	(C1)	(C2)	(D1)	(D2)	(E1)	(E2)	F1	F2	G	H1	H2	J	K1	K2	L1	L2	(M)	(W)	(X)	Y	Z
1/2"	122855	0.63 [15,9]	1.63 [41,3]	(1.64) [41,7]	(2.64) [67,1]	(5.78) [146,8]	(6.78) [172,2]	(5.51) [139,9]	(7.76) [197,1]	(6.28) [159,5]	(8.78) [223,0]	4.26 [108,2]	7.01 [178,0]	3.03 [77,1]	2.63 [66,9]	4.01 [101,8]	3.13 [79,4]	2.85 [72,5]	4.10 [104,2]	3.63 [92,1]	5.13 [130,2]	(0.50) [12,8]	2.03 [51,6]	1.00 [25,4]	1/4-20 UNC-2B	0.50 [12,7]
3/4" R	123952	0.63 [15,9]	1.63 [41,3]	(1.64) [41,7]	(2.64) [67,1]	(5.78) [146,8]	(6.78) [172,2]	(6.11) [155,2]	(8.36) [212,4]	(6.16) [156,3]	(8.78) [223,0]	4.52 [114,8]	7.27 [184,6]	4.00 [101,6]	2.89 [73,5]	4.27 [108,4]	3.13 [79,4]	3.46 [87,8]	4.71 [119,6]	3.50 [88,9]	5.13 [130,2]	(0.63) [16,1]	2.03 [51,6]	1.5 [38,1]		
3/4"	122858	0.63 [15,9]	1.63 [41,3]	(2.01) [50,9]	(3.01) [76,3]	(6.51) [165,4]	(7.51) [190,8]	(6.84) [173,8]	(9.09) [230,9]	(6.89) [174,9]	(9.51) [241,6]	4.92 [125,0]	7.67 [194,8]	4.40 [111,8]	3.30 [83,7]	4.67 [118,6]	3.13 [79,4]	3.46 [87,8]	4.71 [119,6]	3.50 [88,9]	5.13 [130,2]	(0.84) [21,2]	2.76 [70,1]	2.00 [50,8]	3/8-16 UNC-2B	0.75 [19,0]
1"	122859	1.26 [31,9]	1.63 [41,3]	(2.64) [66,9]	(3.01) [76,3]	(7.14) [181,4]	(7.51) [190,8]	(7.97) [202,5]	(9.47) [240,5]	(8.14) [206,8]	(9.51) [241,6]	5.50 [139,7]	7.50 [190,5]	4.67 [118,7]	3.50 [88,9]	4.50 [114,3]	3.13 [79,4]	3.96 [100,5]	5.08 [129,1]	4.13 [104,8]	5.13 [130,2]	(0.75) [19,1]	3.90 [99,1]	3.00 [72,2]		
1-1/2"	123565	1.26 [31,9]	1.63 [41,3]	(3.21) [81,4]	(3.58) [90,8]	(9.03) [229,4]	(9.40) [238,8]	(10.18) [258,4]	(11.61) [294,8]	(9.66) [245,2]	(11.03) [280,0]	(7.54) [191,5]	(9.54) [242,3]	(6.09) [154,7]	(4.79) [121,6]	(5.79) [147,0]	3.88 [98,4]	5.02 [127,5]	6.08 [154,5]	4.50 [114,3]	5.50 [139,7]	(1.02) [25,9]	3.90 [99,1]	3.00 [72,2]	3/8-16 UNC-2B	0.75 [19,0]
2"	123566	1.26 [31,9]	1.88 [47,6]	(3.24) [82,2]	(3.86) [97,9]	(10.09) [256,3]	(10.71) [272,0]	(11.30) [287,0]	(13.17) [334,5]	(10.72) [272,2]	(12.84) [326,0]	(9.53) [242,1]	(12.03) [305,6]	(7.46) [189,5]	(6.03) [153,2]	(7.28) [184,9]	4.88 [123,8]	6.08 [154,5]	7.33 [186,3]	5.50 [139,7]	7.00 [177,8]	(1.27) [32,1]	3.96 [100,6]	3.50 [88,9]		



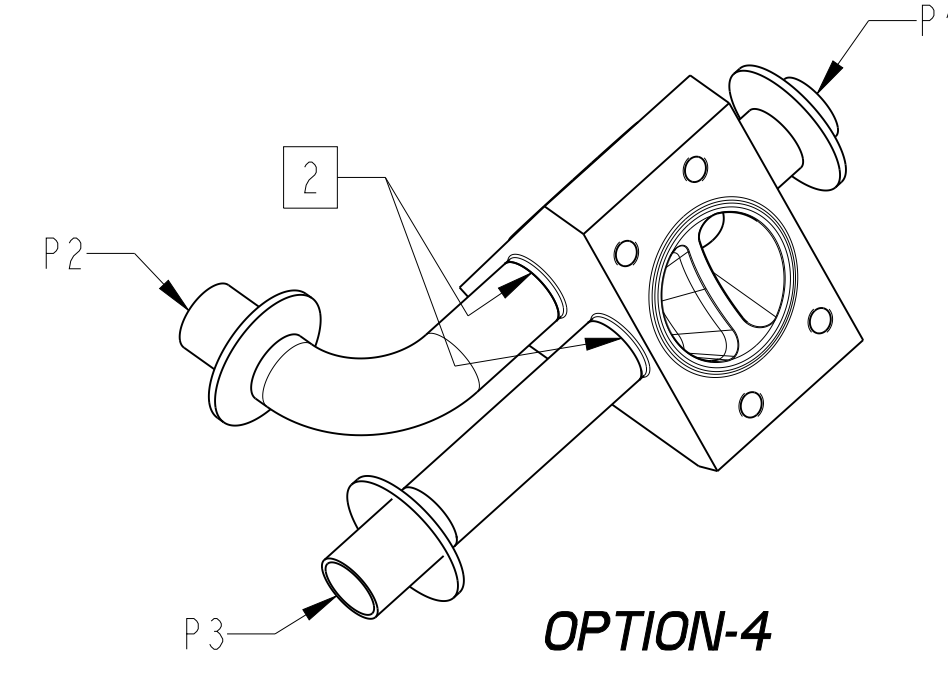
OPTION-1



OPTION-2

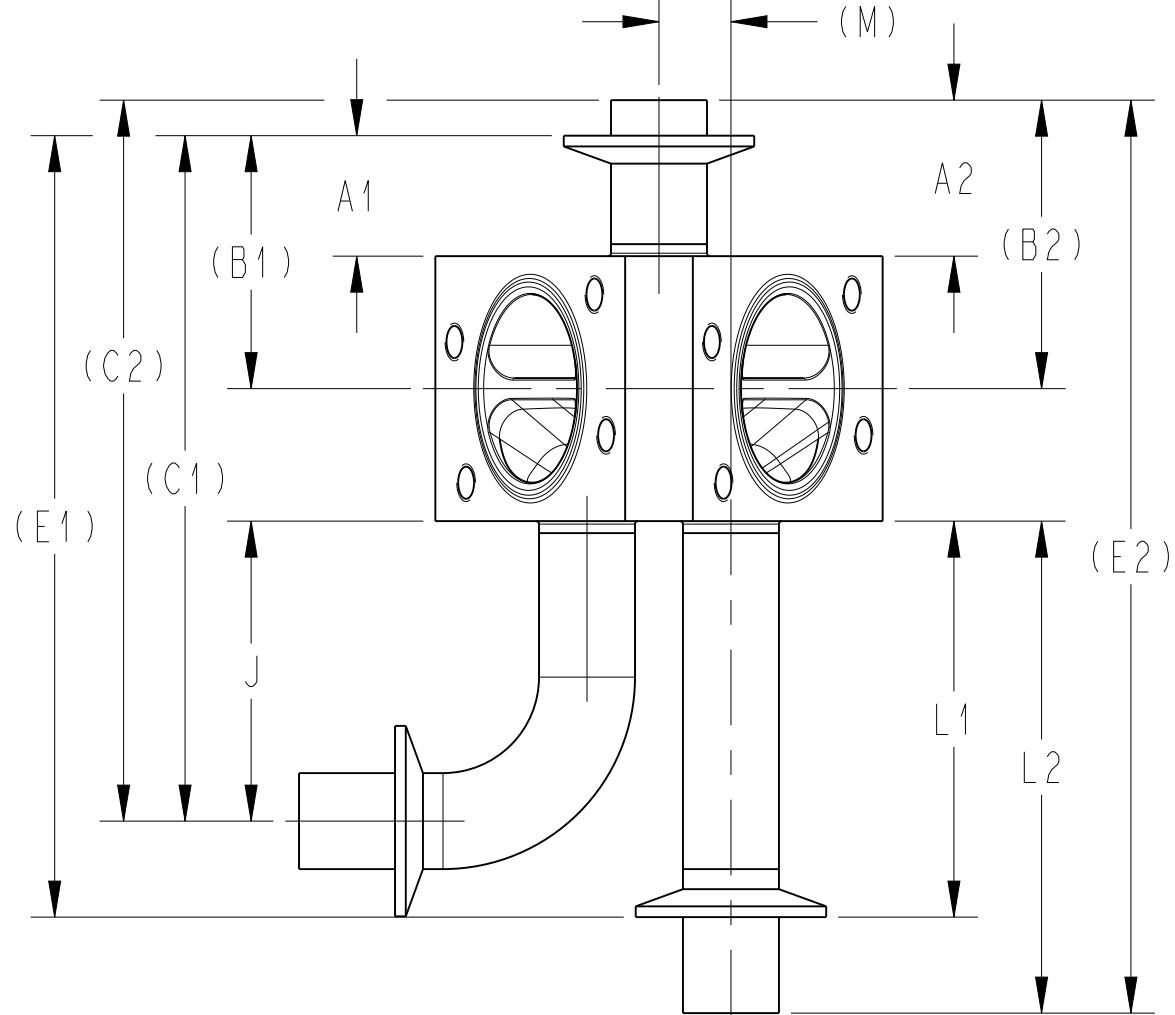
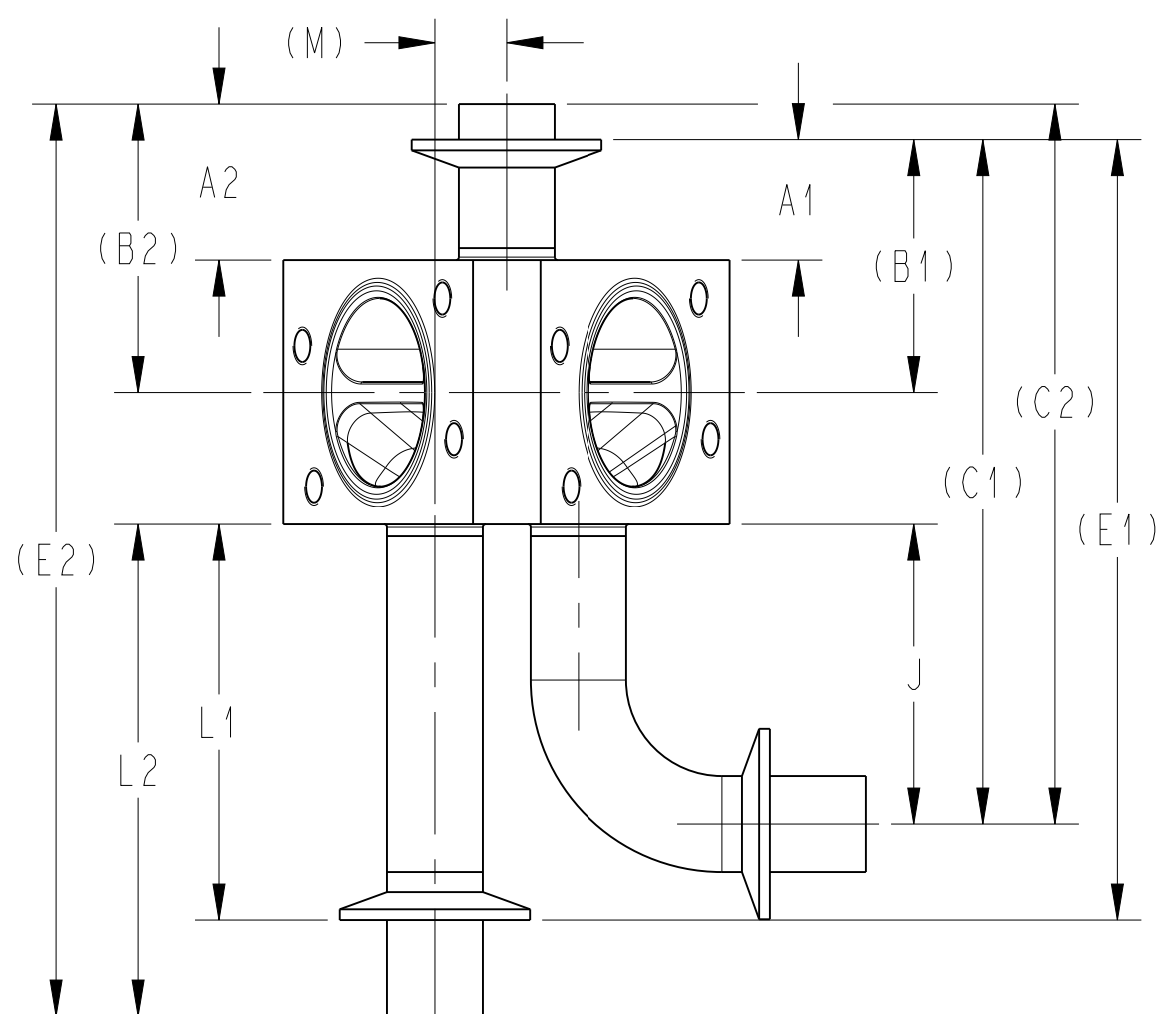
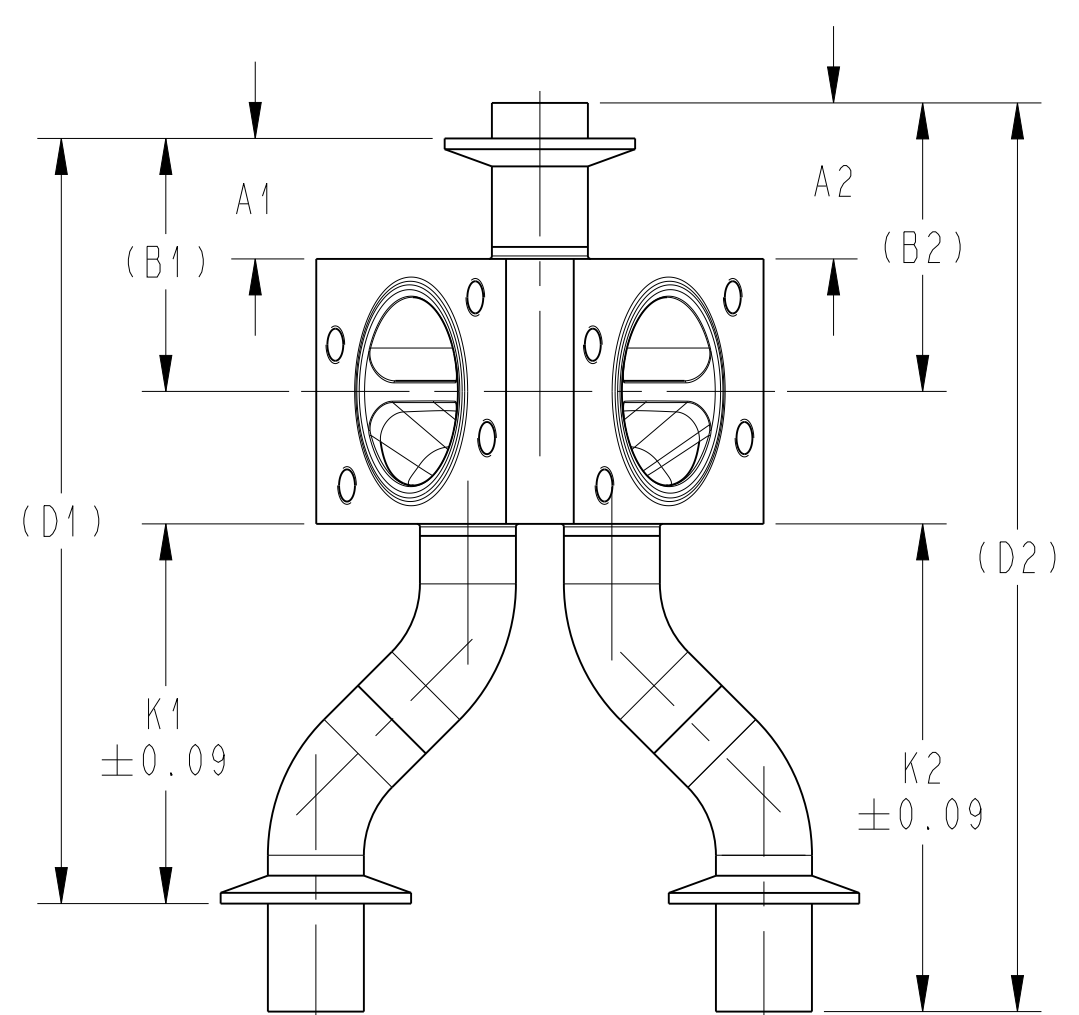
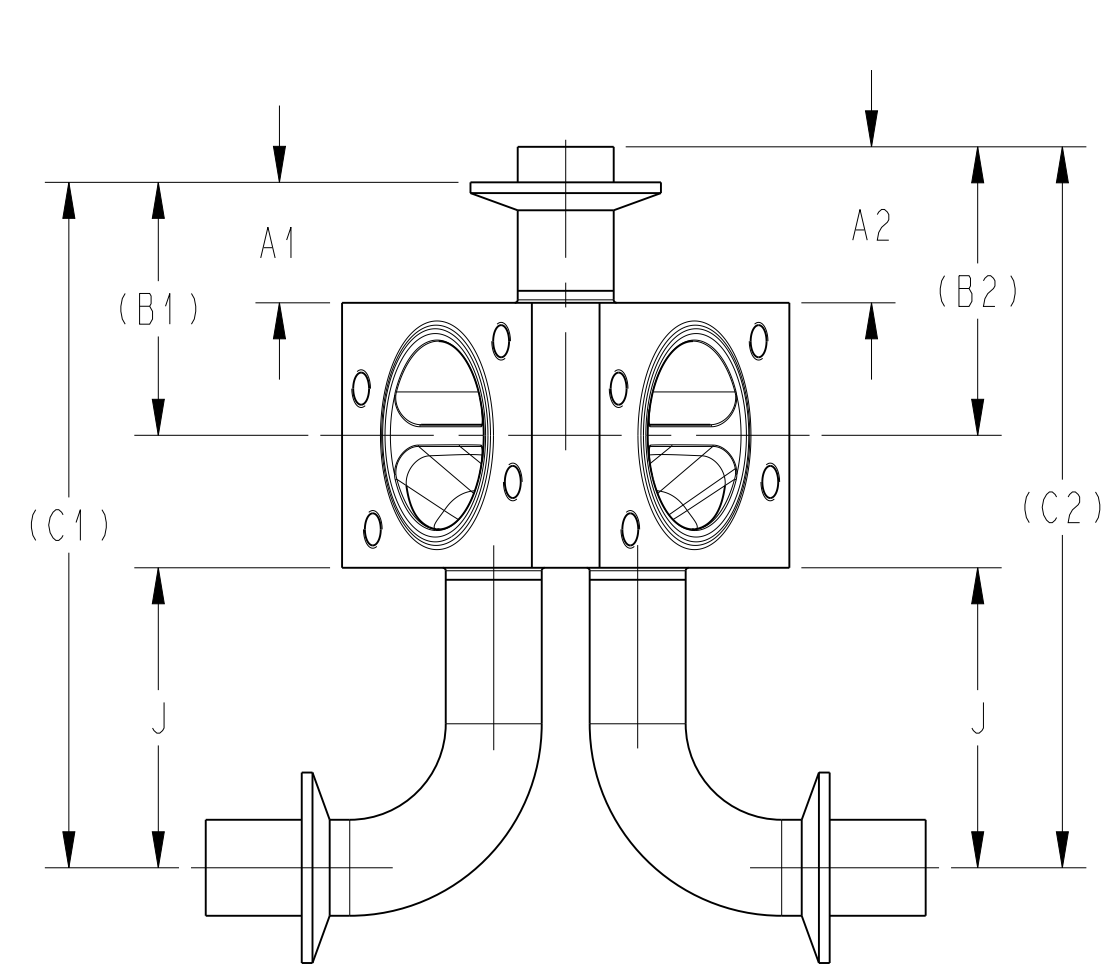


OPTION-3

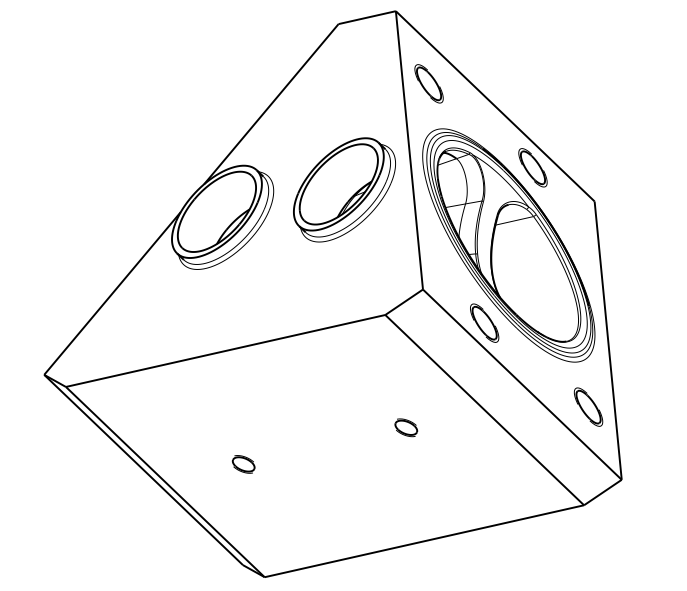


OPTION-4

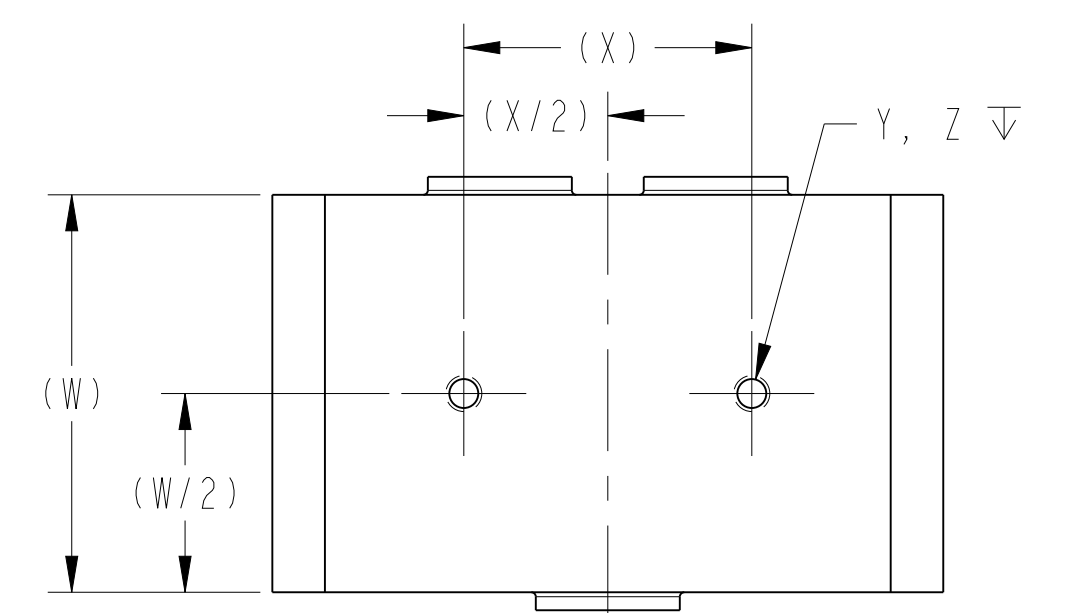
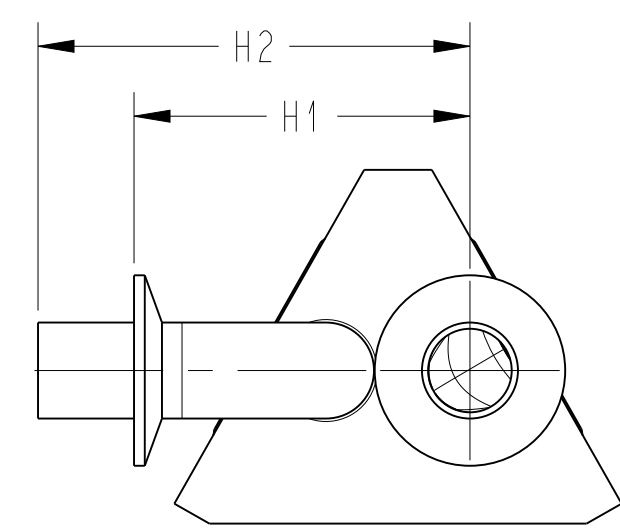
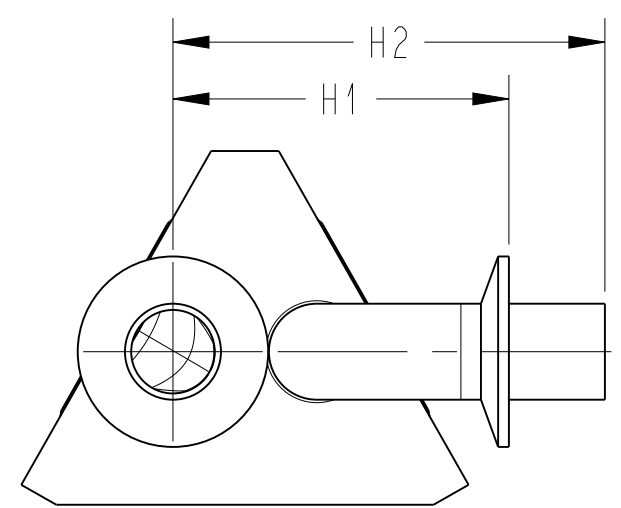
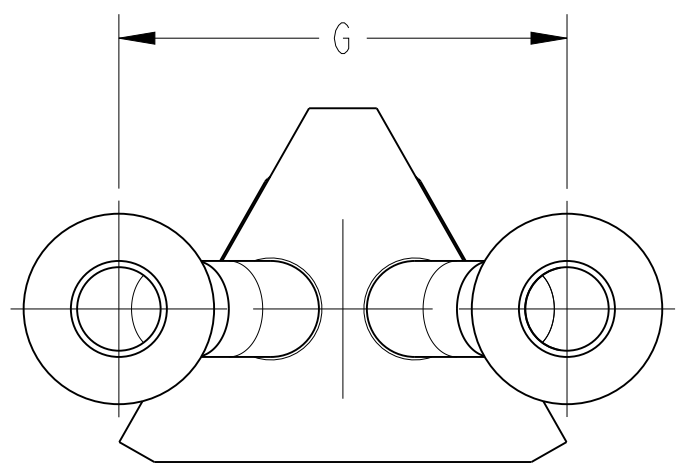
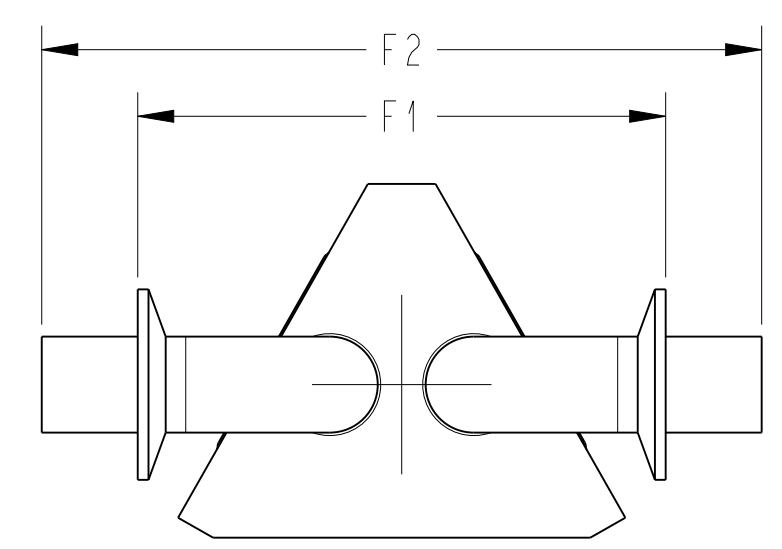
NOTE : (UNLESS OTHERWISE SPECIFIED)
 1. "P" NUMBERS INDICATE PORT CONNECTION.
 2. INTERNAL WELD WILL BE LEFT IN THE AS WELDED CONDITION.
 3. REFER TO DRAWING 123408 FOR OPTION-2 P2 & P3 ELBOW FABRICATION.
 4. REFER TO DRAWING 124268 FOR MOUNTING HOLE DETAIL.



OPTIONAL MOUNTING HOLES



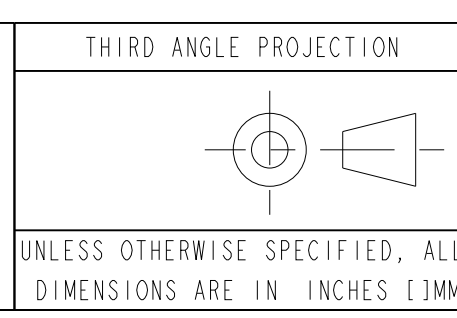
ISOMETRIC VIEW



BOTTOM VIEW

PURE-FLO ORDER: _____ ITEM: _____
 CUSTOMER: _____
 CUSTOMER PO: _____
 OTHER INFO: _____

THIS DOCUMENT IS THE SOLE PROPERTY OF ITT CORPORATION, OR ITS SUBSIDIARY, AND IS PROVIDED SUBJECT TO RETURN. IT IS ISSUED IN STRICT CONFIDENCE AND SHALL NOT BE REPRODUCED, OR COPIED, OR DISCLOSED IN WHOLE OR IN PART, OR USED AS THE BASIS FOR THE MANUFACTURE OR SALES OF APPARATUS OR PARTS TO WHICH THE DOCUMENT RELATES, WITHOUT THE EXPRESS WRITTEN CONSENT OF ITT CORPORATION, OR ITS SUBSIDIARY. THIS LEGEND SHALL BE MARKED ON ANY REPRODUCTION HEREOF, IN WHOLE OR IN PART. ALL RIGHTS TO THE INFORMATION AND DESIGN DISCLOSED HEREIN ARE RESERVED TO ITT CORPORATION, OR ITS SUBSIDIARY.



UNLESS OTHERWISE NOTED	
INCH	MM
x : ± 0.06	x : ± 1.5
.xx : ± 0.06	.xx : ± 1.5
.xxx : ± 0.02	.xxx : ± 0.5
x/xx : ± 0.02	x/xx : ± 0.5
x/xxx : ± 0.02	x/xxx : ± 0.5
x/xx : ± 0.02	x/xx : ± 0.5
x/xxx : ± 0.02	x/xxx : ± 0.5

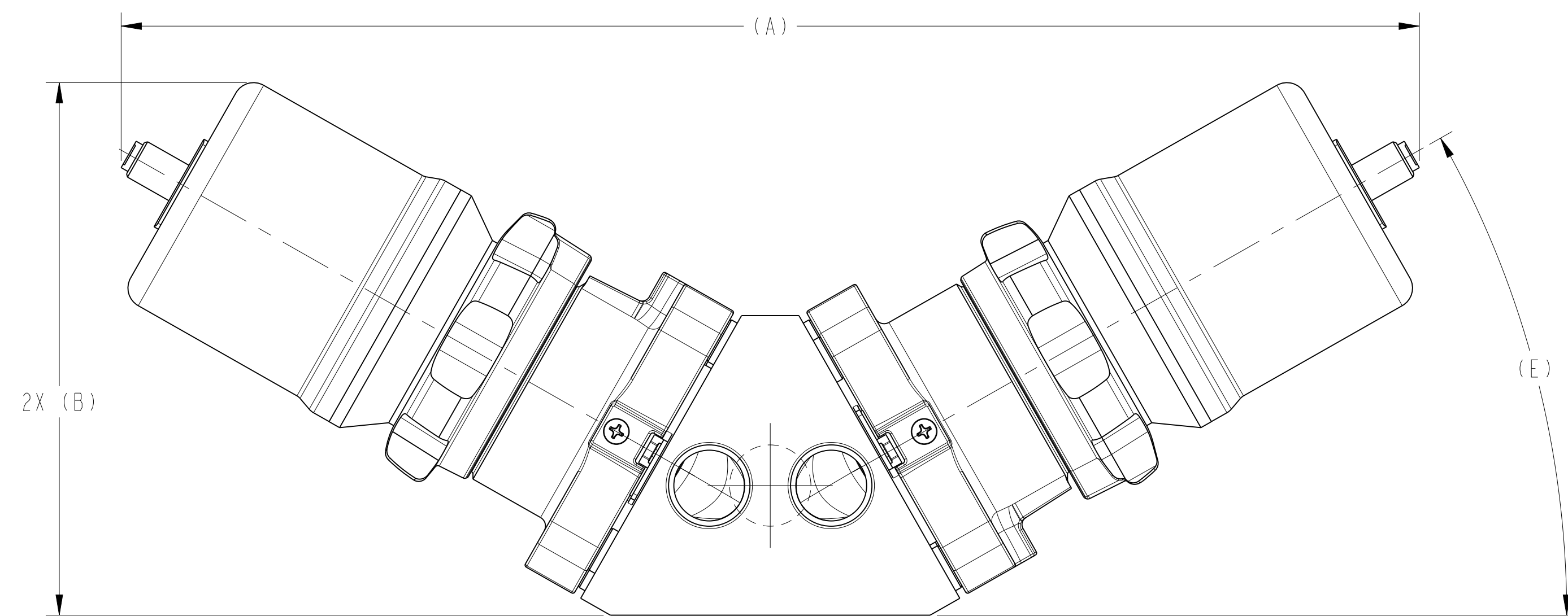
DATE	BY	1/2" - 2"
01/10/20	LFV	2-WAY ENVIZION DIVERT VALVE
CHKD	TJS	ASSY. TCE & AWE
01/10/20		
APVD	MMA	
01/10/20		

ITT Pure-Flo
 www.ittpureflo.com

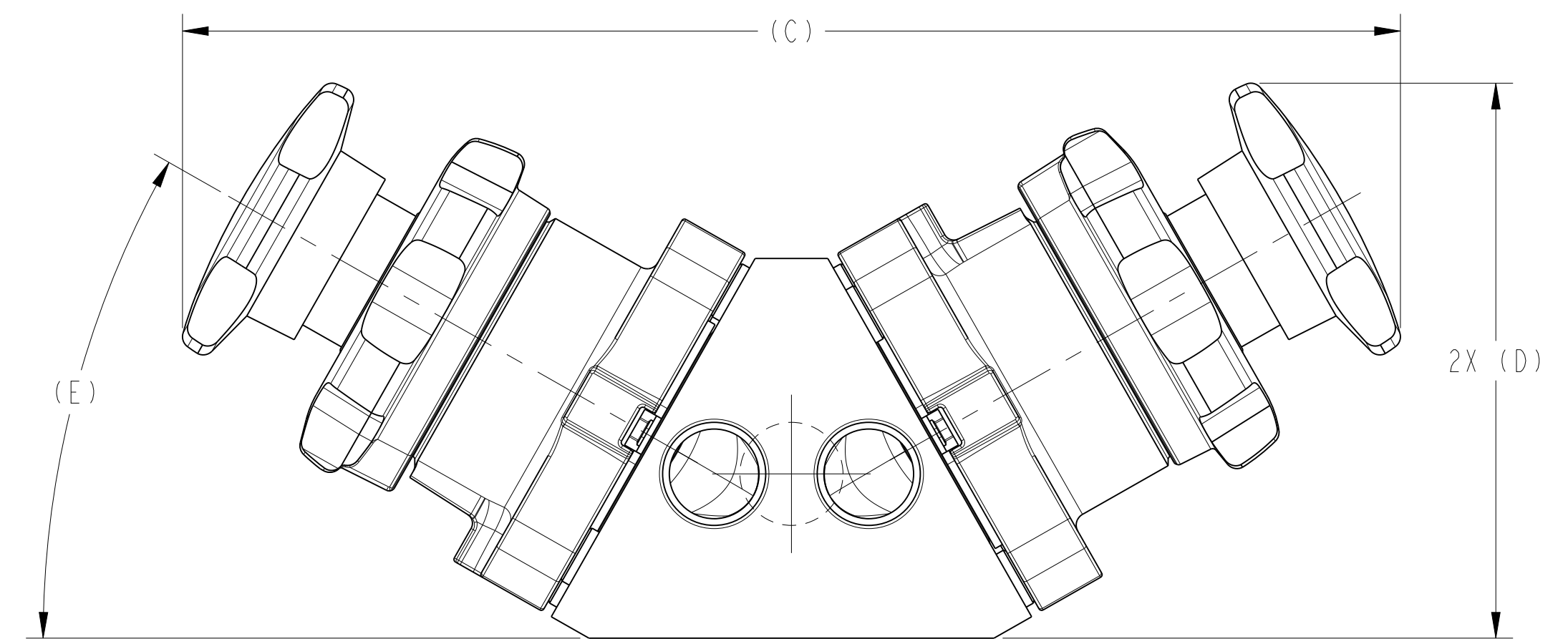
D A28948 SHEET 1 OF 2 REV E

MASTER DWG: A28948/E ECN# 17098 ISSUE BY: _____ CERT BY: _____

VALVE SIZE	(A)	(B)	(C)	(D)	(E)
1/2"	(12.56) [319,1]	(4.97) [126,3]	(8.59) [218,1]	(3.76) [95,6]	(28°)
3/4" R	(14.12) [358,7]	(3.97) [100,9]	(9.41) [239,0]	(3.18) [80,7]	(15°) [Ⓔ]
3/4"	(15.94) [404,9]	(6.58) [167,2]	(11.82) [300,2]	(5.38) [136,6]	(30°)
1"	(15.96) [405,3]	(6.58) [167,3]	(11.81) [300,1]	(5.37) [136,4]	(30°)
1-1/2"	(24.23) [615,5]	(8.90) [226,0]	(16.18) [411,0]	(6.81) [172,9]	(25°)
2"	(27.21) [691,0]	(7.99) [202,9]	(18.21) [462,6]	(6.49) [164,9]	(16°)



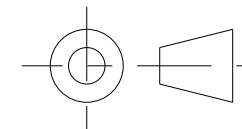
ENVIZION ZERO TORQUE ACTUATED BONNET



ENVIZION ZERO TORQUE MANUAL BONNET

PURE-FLO ORDER: - ITEM: -
 CUSTOMER: -
 CUSTOMER PO: -
 OTHER INFO: -

THIS DOCUMENT IS THE SOLE PROPERTY OF ITT CORPORATION, OR ITS SUBSIDIARY, AND IS PROVIDED SUBJECT TO RETURN. IT IS ISSUED IN STRICT CONFIDENCE AND SHALL NOT BE REPRODUCED, OR COPIED, OR DISCLOSED IN WHOLE OR IN PART, OR USED AS THE BASIS FOR THE MANUFACTURE OR SALES OF APPARATUS OR PARTS TO WHICH THE DOCUMENT RELATES, WITHOUT THE EXPRESS WRITTEN CONSENT OF ITT CORPORATION, OR ITS SUBSIDIARY. THIS LEGEND SHALL BE MARKED ON ANY REPRODUCTION HEREOF, IN WHOLE OR IN PART. ALL RIGHTS TO THE INFORMATION AND DESIGN DISCLOSED HEREIN ARE RESERVED TO ITT CORPORATION, OR ITS SUBSIDIARY.

THIRD ANGLE PROJECTION

 UNLESS OTHERWISE SPECIFIED, ALL DIMENSIONS ARE IN INCHES

UNLESS OTHERWISE NOTED

INCH		MM	
x	± 0.06	x	± 1.5
.xx	± 0.06	.xx	± 1.5
.xxx	± 0.02	.xxx	± 0.5
x/x	± 1/16	x°	± 3°
x°	± 1°	x°	± 3°

DATE	BY
01/10/20	LFV
01/10/20	TJS
01/10/20	MMA

1/2" - 2"
 2-WAY ENVIZION DIVERT VALVE
 ASSY. TCE & AWE
 MASTER DWG: A28948/E ECN# 17098

 **ITT**
 www.ittpureflo.com
 SHEET 2 OF 2 REV E
 D A28948
 ISSUE BY: - CERT BY: -