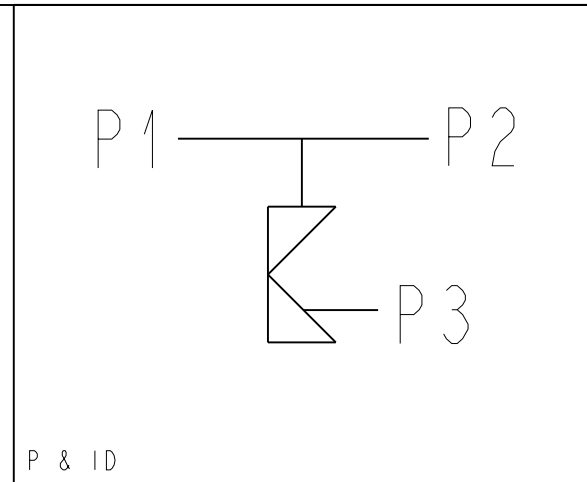
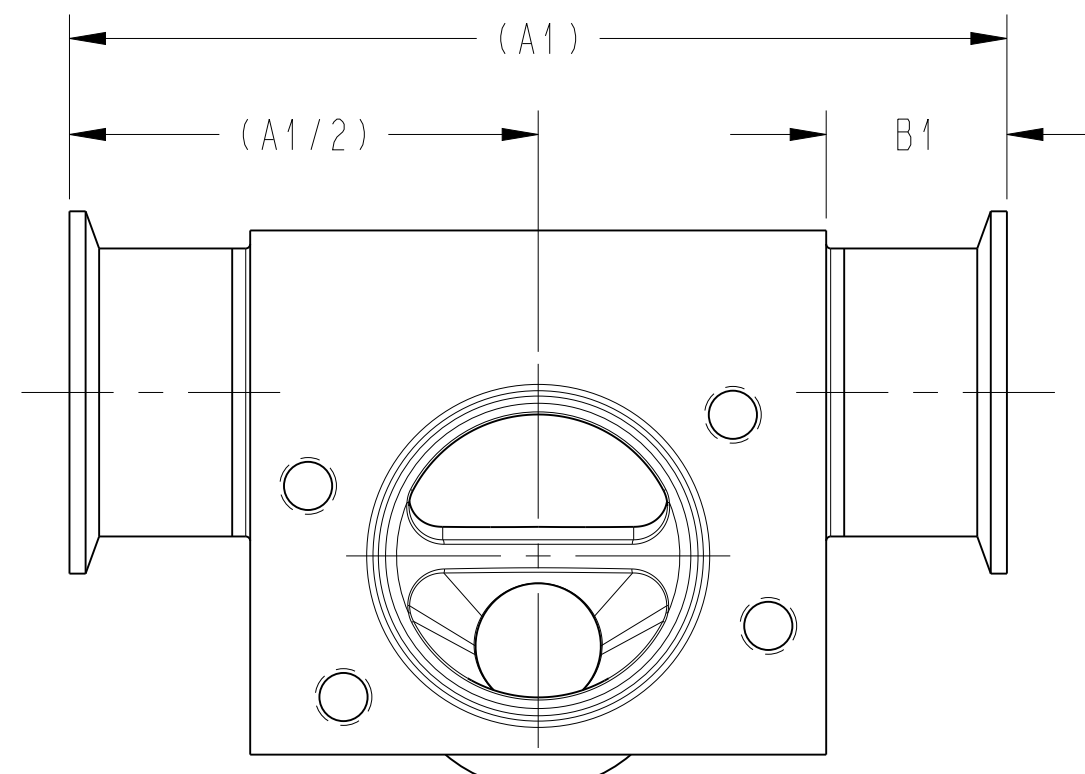


	RUN X VALVE	A1	A2	B1	B2	C	D1	D2	E1	E2	DWG NO
	1/2" X 1/2"					(0.77) [19,5]	(1.63) [41,40]	(2.00) [50,8]			
	3/4" X 1/2"		(5.85) [148,6]		1.63 [41,3]	(0.90) [22,9]	(1.76) [44,58]	(2.13) [54,0]			
	1" X 1/2"					(1.03) [26,3]	(1.88) [47,75]	(2.25) [57,2]			
	1-1/2" X 1/2"	(5.11) [129,8]		1.26 [31,9]		(1.30) [33,0]	(2.13) [54,10]	(2.50) [63,5]	1.26 [31,9]	1.63 [41,3]	123341
	2" X 1/2"					(1.56) [39,7]	(2.38) [60,45]	(2.75) [69,9]			
	2-1/2" X 1/2"		(6.35) [161,3]		1.88 [47,6]	(1.82) [46,3]	(2.63) [66,80]	(3.00) [76,2]			
	3" X 1/2"					(2.08) [52,9]	(2.88) [73,15]	(3.25) [82,6]			
	4" X 1/2"		(6.85) [174,0]		2.13 [54,0]	(2.58) [65,6]	(3.36) [85,39]	(3.73) [94,8]			
©	3/4" X 3/4"R					(0.86) [21,9]	(1.76) [44,6]	(2.13) [54,0]			
©	1" X 3/4"R		(5.85) [148,6]		1.63 [41,3]	(1.00) [25,3]	(1.88) [47,8]	(2.25) [57,2]			
©	1-1/2" X 3/4"R					(1.26) [32,0]	(2.13) [54,1]	(2.50) [63,5]			
©	2" X 3/4"R	(5.11) [129,8]		1.26 [31,9]		(1.52) [38,7]	(2.38) [60,5]	(2.75) [69,9]	1.26 [31,9]	1.63 [41,3]	123954
©	2-1/2" X 3/4"R		(6.35) [161,3]		1.88 [47,6]	(1.78) [45,3]	(2.63) [66,8]	(3.00) [76,2]			
©	3" X 3/4"R					(2.04) [51,9]	(2.88) [73,2]	(3.25) [82,6]			
©	4" X 3/4"R		(6.85) [174,0]		2.13 [54,0]	(2.54) [64,6]	(3.36) [85,4]	(3.73) [94,8]			
	3/4" X 3/4"					(1.22) [31,0]	(1.76) [44,6]	(2.13) [54,0]			
	1" X 3/4"		(7.25) [184,2]		1.63 [41,3]	(1.35) [34,4]	(1.88) [47,8]	(2.25) [57,2]			
	1-1/2" X 3/4"					(1.62) [41,1]	(2.13) [54,1]	(2.50) [63,5]			
	2" X 3/4"	(6.51) [165,4]		1.26 [31,9]		(1.89) [47,9]	(2.38) [60,5]	(2.75) [69,9]	1.26 [31,9]	1.63 [41,3]	123342
	2-1/2" X 3/4"		(7.75) [196,9]		1.88 [47,6]	(2.15) [54,5]	(2.63) [66,8]	(3.00) [76,2]			
	3" X 3/4"					(2.41) [61,2]	(2.88) [73,2]	(3.25) [82,6]			
	4" X 3/4"		(8.25) [209,6]		2.13 [54,0]	(2.91) [73,9]	(3.36) [85,4]	(3.73) [94,8]			

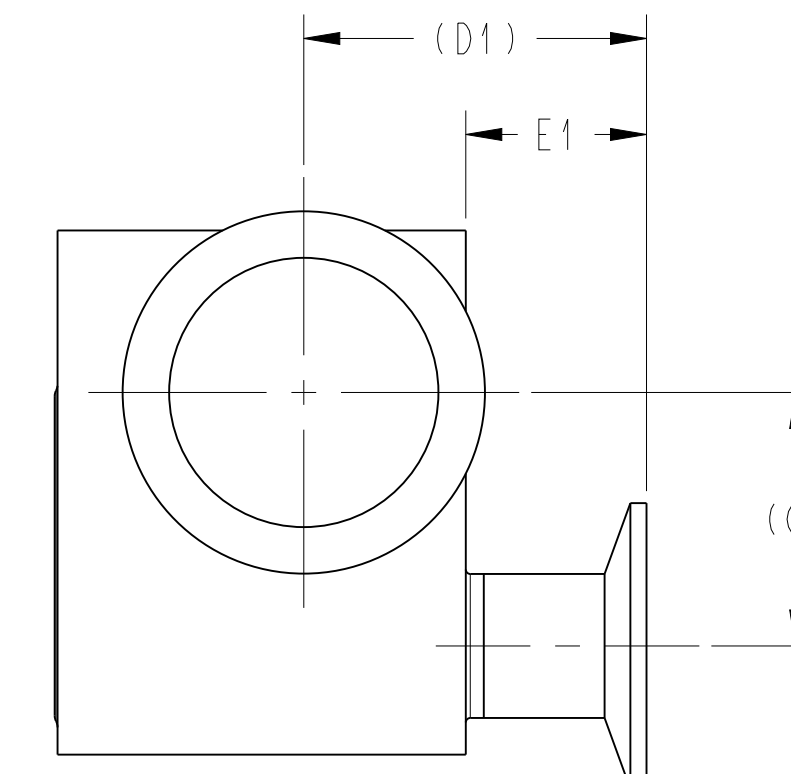
	RUN X VALVE	A1	A2	B1	B2	C	D1	D2	E1	E2	DWG NO
	1" X 1"					(1.23) [31,2]	(1.88) [47,8]	(2.25) [57,2]			
	1-1/2" X 1"		(7.25) [184,2]		1.63 [41,3]	(1.49) [38,0]	(2.13) [54,1]	(2.50) [63,5]			
	2" X 1"	(6.51) [165,4]		1.26 [31,9]		(1.76) [44,7]	(2.38) [60,5]	(2.75) [69,9]	1.26 [31,9]	1.63 [41,3]	123343
	2-1/2" X 1"		(7.75) [196,9]		1.88 [47,6]	(2.02) [51,4]	(2.63) [66,8]	(3.00) [76,2]			
	3" X 1"					(2.28) [58,0]	(2.88) [73,2]	(3.25) [82,6]			
	4" X 1"		(8.25) [209,6]		2.13 [54,0]	(2.78) [70,7]	(3.36) [85,4]	(3.73) [94,8]			
	1-1/2" x 1-1/2"		(8.63) [219,1]		1.63 [41,3]	(1.70) [43,2]	(2.18) [55,2]	(2.55) [64,6]			
	2" x 1-1/2"					(1.96) [49,9]	(2.43) [61,6]	(2.80) [71,0]	1.26 [31,9]	1.63 [41,3]	123344
	2-1/2" x 1-1/2"	(7.89) [200,3]	(9.13) [231,8]	1.26 [31,9]	1.88 [47,6]	(2.23) [56,7]	(2.68) [67,9]	(3.05) [77,3]			
	3" x 1-1/2"					(2.49) [63,5]	(2.93) [74,3]	(3.30) [84,0]			
	4" x 1-1/2"		(9.63) [244,5]		2.13 [54,0]	(3.00) [76,2]	(3.41) [86,5]	(3.78) [95,9]			
	2" X 2"					(2.25) [57,1]	(2.43) [61,6]	(3.05) [77,3]			
	2-1/2" X 2"	(8.40) [213,4]	(9.64) [244,9]	1.26 [31,9]	1.88 [47,6]	(2.52) [63,9]	(2.68) [67,9]	(3.30) [83,7]	1.26 [31,9]	1.88 [47,6]	123638
	3" X 2"					(2.78) [70,6]	(2.93) [74,3]	(3.55) [90,0]			
	4" X 2"		(10.14) [257,6]		2.13 [54,0]	(3.28) [83,4]	(3.41) [86,5]	(4.03) [102,3]			



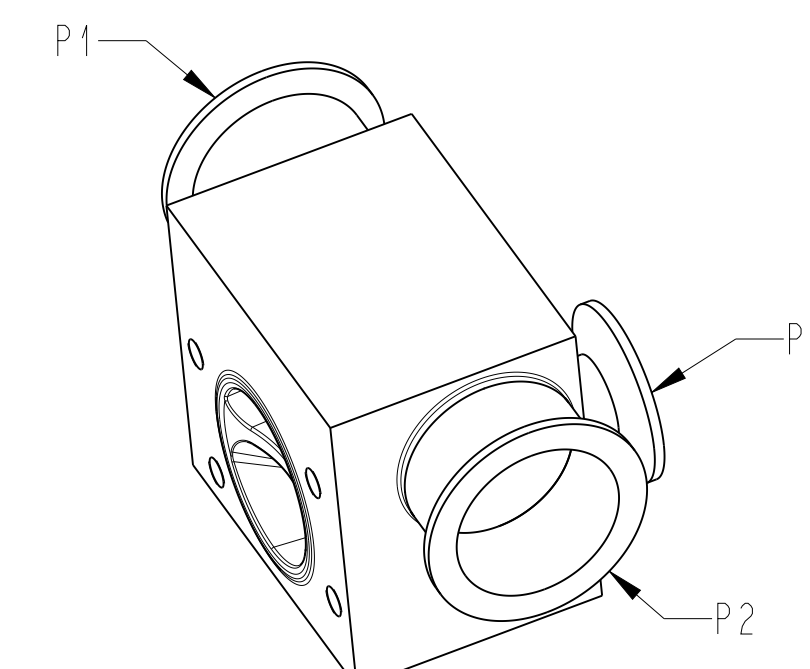
P & ID



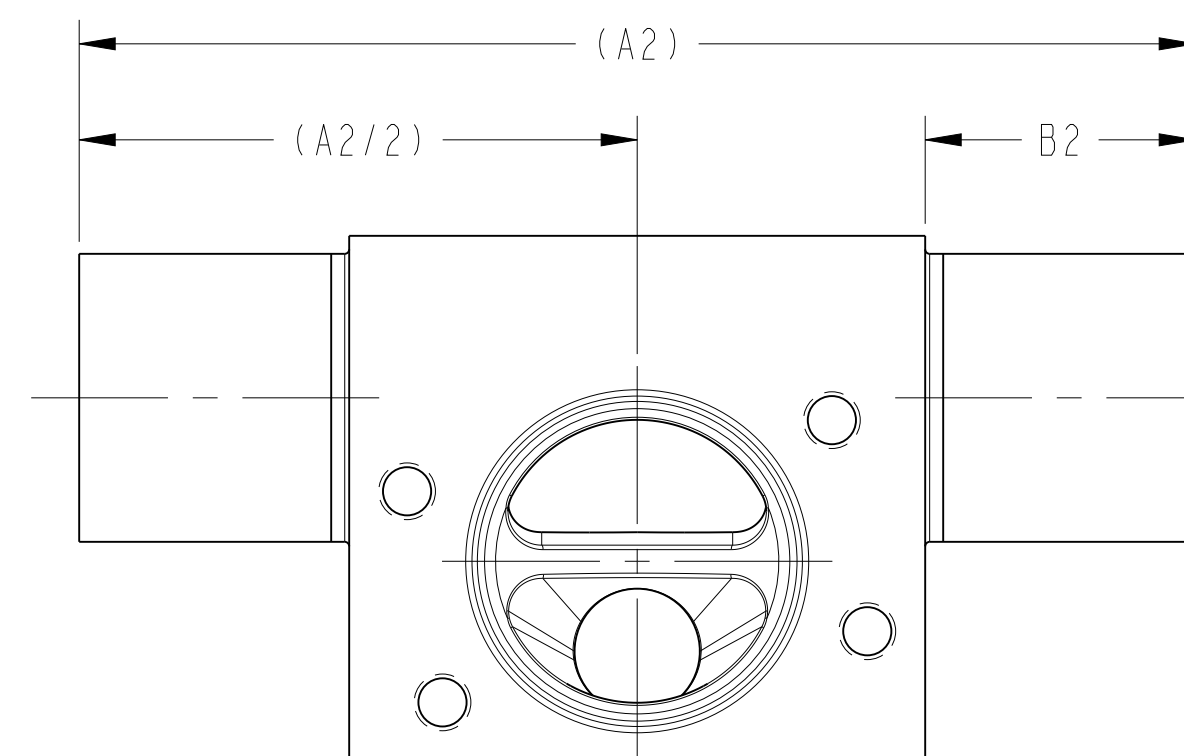
FRONT VIEW



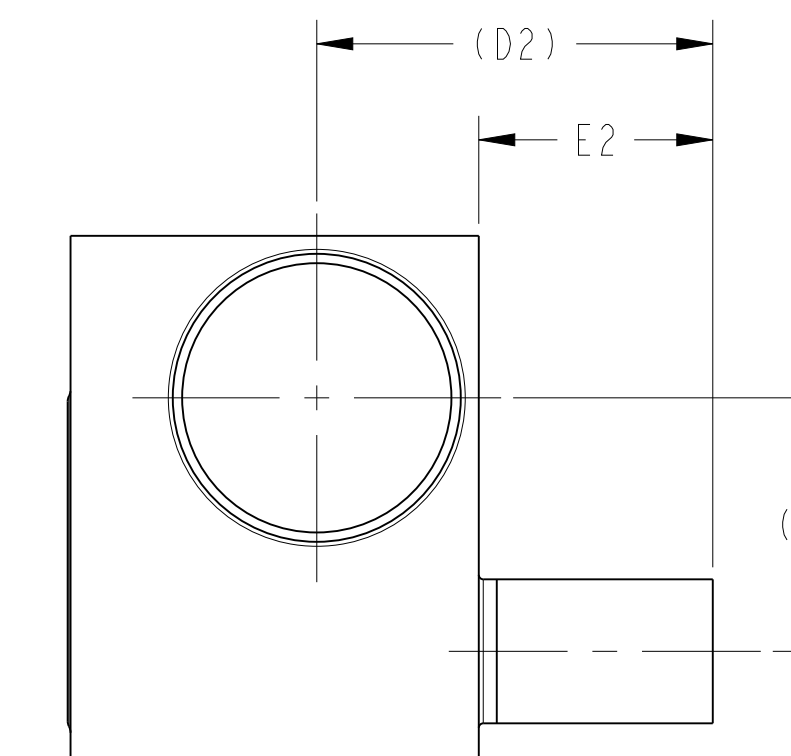
SIDE VIEW



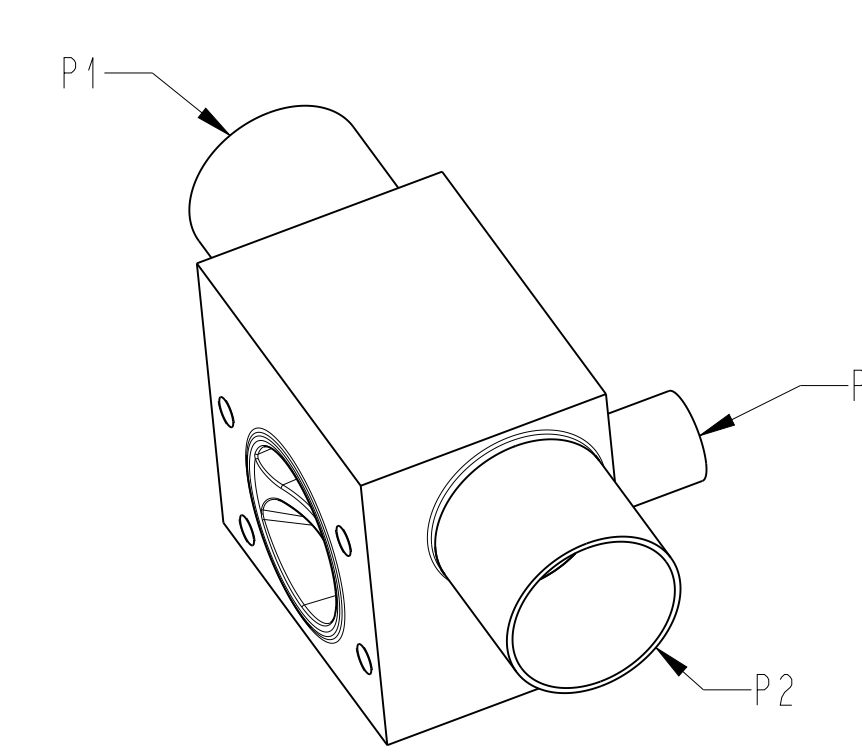
ISOMETRIC VIEW



FRONT VIEW



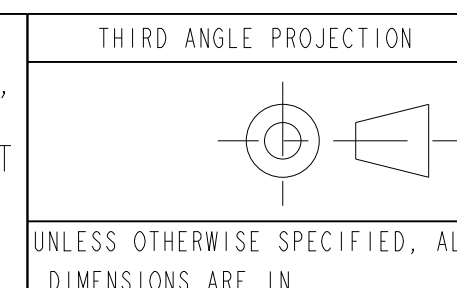
SIDE VIEW



ISOMETRIC VIEW

PURE-FLO ORDER: - ITEM: -
 CUSTOMER: -
 CUSTOMER PO: -
 OTHER INFO: -

THIS DOCUMENT IS THE SOLE PROPERTY OF ITT CORPORATION, OR ITS SUBSIDIARY, AND IS PROVIDED SUBJECT TO RETURN. IT IS ISSUED IN STRICT CONFIDENCE AND SHALL NOT BE REPRODUCED, OR COPIED, OR DISCLOSED IN WHOLE OR IN PART, OR USED AS THE BASIS FOR THE MANUFACTURE OR SALES OF APPARATUS OR PARTS TO WHICH THE DOCUMENT RELATES, WITHOUT THE EXPRESS WRITTEN CONSENT OF ITT CORPORATION, OR ITS SUBSIDIARY. THIS LEGEND SHALL BE MARKED ON ANY REPRODUCTION HEREOF, IN WHOLE OR IN PART. ALL RIGHTS TO THE INFORMATION AND DESIGN DISCLOSED HEREIN ARE RESERVED TO ITT CORPORATION, OR ITS SUBSIDIARY.



UNLESS OTHERWISE NOTED	
INCH	MM
X : ± 0.06	X : ± 1.5
.X : ± 0.06	.X : ± 1.5
.XXX : ± 0.02	.XXX : ± 0.5
X/XX : ± 1/16	X/XX : ± 1.5
X° : ± 1°	X° : ± 1°

DATE	BY
06/05/20	LFV
06/05/20	TJS
06/05/20	TJS

ENVIZION 1/2" - 2" VALVE X 1/2" - 4" RUN ZERO STATIC BACK OUTLET ASSY.

MASTER DWG: A29095/C ECN# 17098

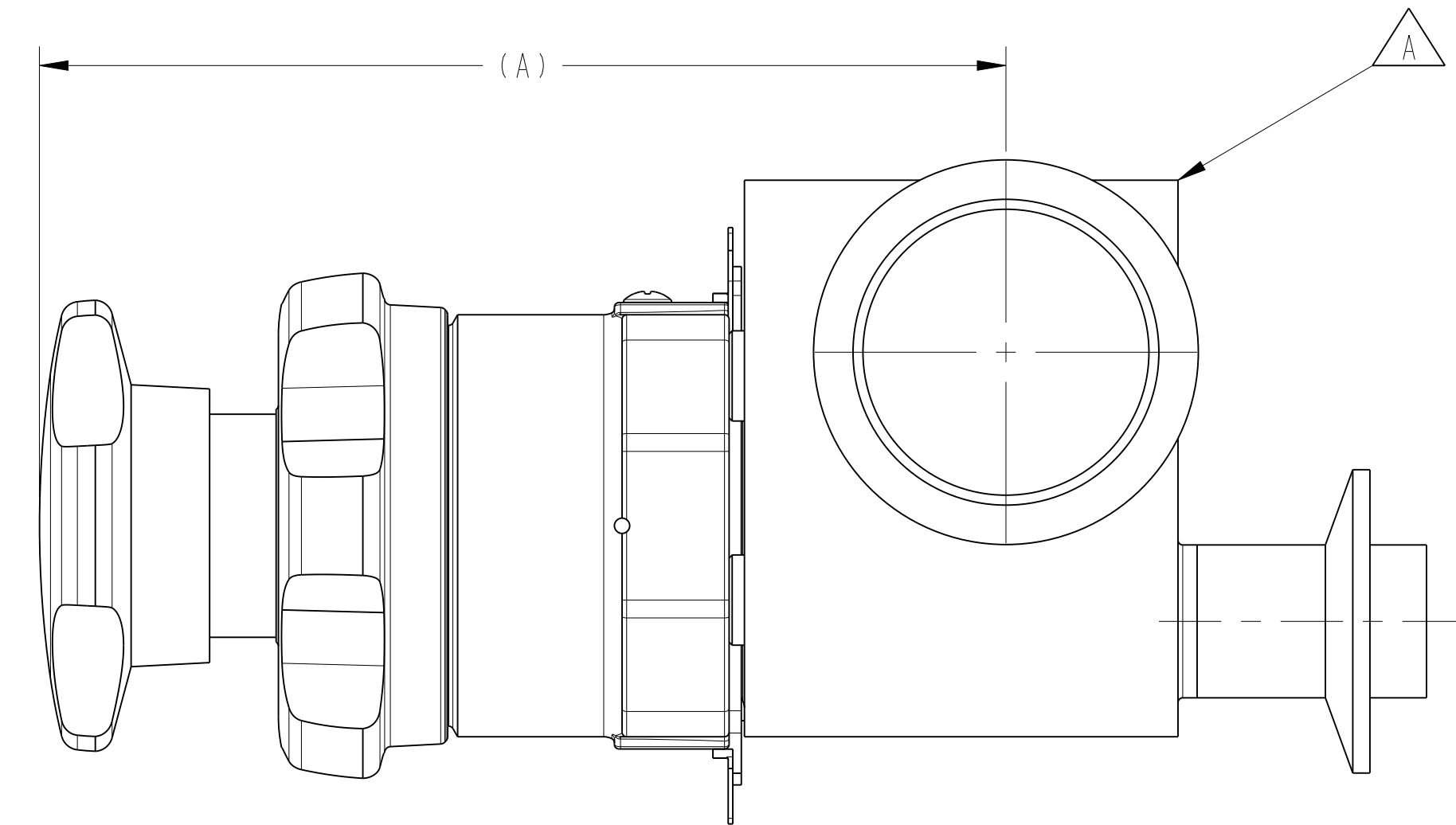
www.ittpureflo.com

D	A29095	SHEET 1 OF 2	REV C
ISSUE BY:	CERT BY:		

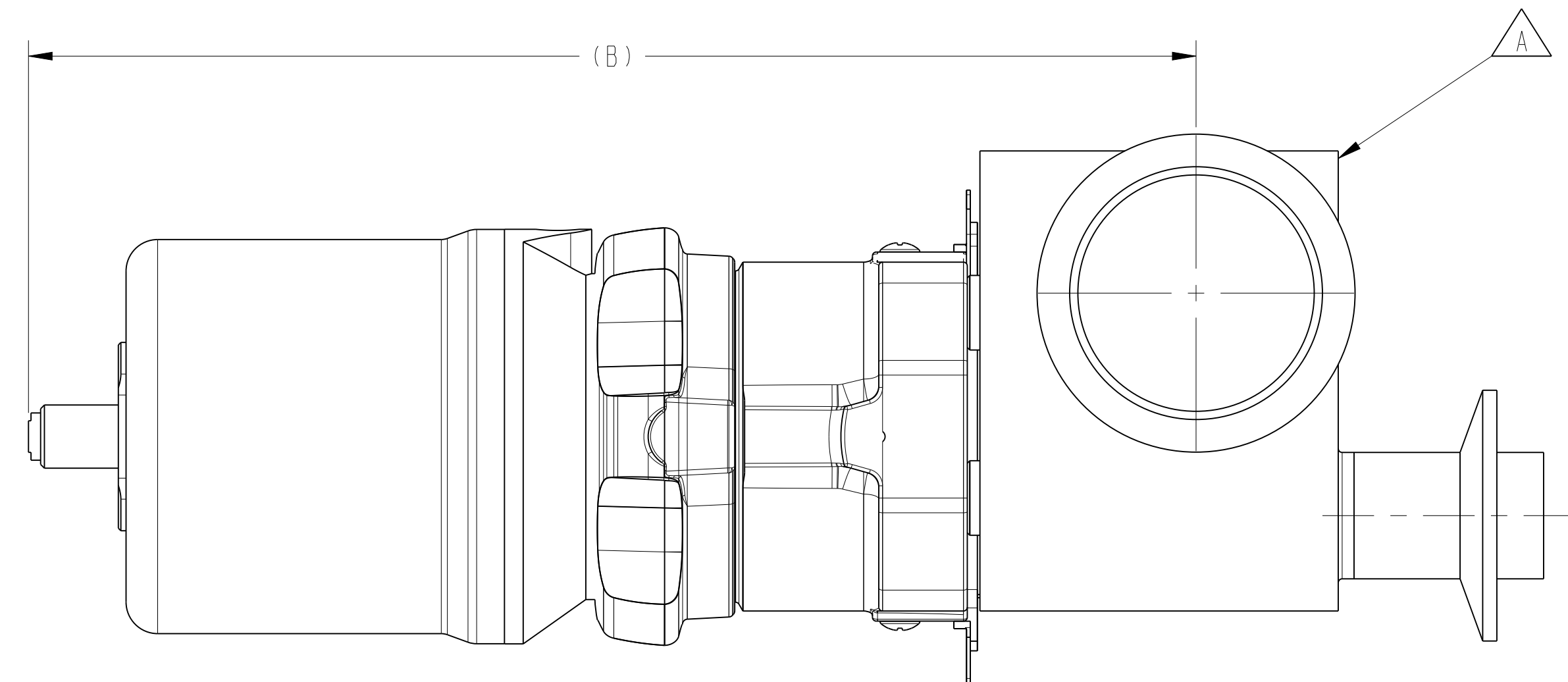
TAG NUMBERS	
	▲ VALVE ASSY
1	

RUN X VALVE	A	B
1/2" X 1/2"	(4.41) [111,9]	(6.93) [176,1]
3/4" X 1/2"	(4.53) [115,0]	(7.05) [179,1]
1" X 1/2"	(4.65) [118,0]	(7.17) [182,2]
1-1/2" X 1/2"	(4.90) [124,4]	(7.42) [188,5]
2" X 1/2"	(5.07) [128,7]	(7.59) [192,9]
2-1/2" X 1/2"	(5.24) [133,0]	(7.76) [197,1]
3" X 1/2"	(5.38) [136,6]	(7.90) [200,7]
4" X 1/2"	(5.65) [143,6]	(8.18) [207,8]
③ 3/4" X 3/4"R	(4.53) [115,0]	(7.05) [179,1]
③ 1" X 3/4"R	(4.65) [118,0]	(7.17) [182,2]
③ 1-1/2" X 3/4"R	(4.90) [124,4]	(7.42) [188,5]
③ 2" X 3/4"R	(5.07) [128,7]	(7.59) [192,9]
③ 2-1/2" X 3/4"R	(5.24) [133,0]	(7.76) [197,1]
③ 3" X 3/4"R	(5.38) [136,6]	(7.90) [200,7]
③ 4" X 3/4"R	(5.65) [143,6]	(8.18) [207,8]
3/4" X 3/4"	(5.70) [144,8]	(8.62) [218,9]
1" X 3/4"	(5.82) [147,8]	(8.74) [222,0]
1-1/2" X 3/4"	(6.07) [154,2]	(8.99) [228,3]
2" X 3/4"	(6.32) [160,5]	(9.24) [234,7]
2-1/2" X 3/4"	(6.51) [165,4]	(9.43) [239,5]
3" X 3/4"	(6.67) [169,4]	(9.59) [243,5]
4" X 3/4"	(6.97) [177,0]	(9.89) [251,2]

RUN X VALVE	A	B
1" X 1"	(5.82) [147,8]	(8.74) [221,9]
1-1/2" X 1"	(6.07) [154,2]	(8.99) [228,3]
2" X 1"	(6.32) [160,5]	(9.24) [234,6]
2-1/2" X 1"	(6.51) [165,4]	(9.43) [239,5]
3" X 1"	(6.67) [169,4]	(9.59) [243,5]
4" X 1"	(6.97) [177,0]	(9.89) [251,2]
1-1/2" X 1-1/2"	(7.62) [193,5]	(12.61) [320,3]
2" X 1-1/2"	(7.86) [199,6]	(12.85) [326,4]
2-1/2" X 1-1/2"	(8.13) [206,5]	(13.12) [333,3]
3" X 1-1/2"	(8.34) [211,8]	(13.33) [338,6]
4" X 1-1/2"	(8.68) [220,5]	(13.67) [347,2]
2" X 2"	(8.29) [210,6]	(13.28) [337,3]
2-1/2" X 2"	(8.56) [217,5]	(13.55) [344,2]
3" X 2"	(8.77) [222,8]	(13.76) [349,5]
4" X 2"	(9.11) [231,5]	(14.10) [358,2]



ENVIZION ZERO TORQUE MANUAL BONNET



ENVIZION ZERO TORQUE ACTUATED BONNET

PURE-FLO ORDER: _____ ITEM: _____
 CUSTOMER: _____
 CUSTOMER PO: _____
 OTHER INFO: _____

THIS DOCUMENT IS THE SOLE PROPERTY OF ITT CORPORATION, OR ITS SUBSIDIARY, AND IS PROVIDED SUBJECT TO RETURN. IT IS ISSUED IN STRICT CONFIDENCE AND SHALL NOT BE REPRODUCED, OR COPIED, OR DISCLOSED IN WHOLE OR IN PART, OR USED AS THE BASIS FOR THE MANUFACTURE OR SALES OF APPARATUS OR PARTS TO WHICH THE DOCUMENT RELATES, WITHOUT THE EXPRESS WRITTEN CONSENT OF ITT CORPORATION, OR ITS SUBSIDIARY. THIS LEGEND SHALL BE MARKED ON ANY REPRODUCTION HEREOF, IN WHOLE OR IN PART. ALL RIGHTS TO THE INFORMATION AND DESIGN DISCLOSED HEREIN ARE RESERVED TO ITT CORPORATION, OR ITS SUBSIDIARY.

THIRD ANGLE PROJECTION

 UNLESS OTHERWISE SPECIFIED, ALL DIMENSIONS ARE IN

UNLESS OTHERWISE NOTED
 INCH MM
 .X ± .006 X ± .15
 .XX ± .006 XX ± .15
 .XXX ± .002 .XX ± .15
 .X/X ± .006 X ± .15
 X ± .006 X ± .15

DATE	BY
06/05/20	LFV
06/05/20	TJS
06/05/20	TJS

ENVIZION 1/2" - 2" VALVE X 1/2" - 4" RUN ZERO STATIC BACK OUTLET ASSY.
 MASTER DWG: A29095/C ECN# 17098

ITT Pure-Flo
 www.ittpureflo.com
 D A29095 SHEET 2 OF 2 REV C
 ISSUE BY: _____ CERT BY: _____