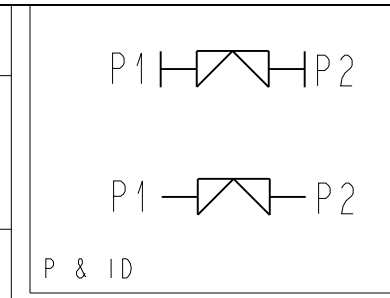
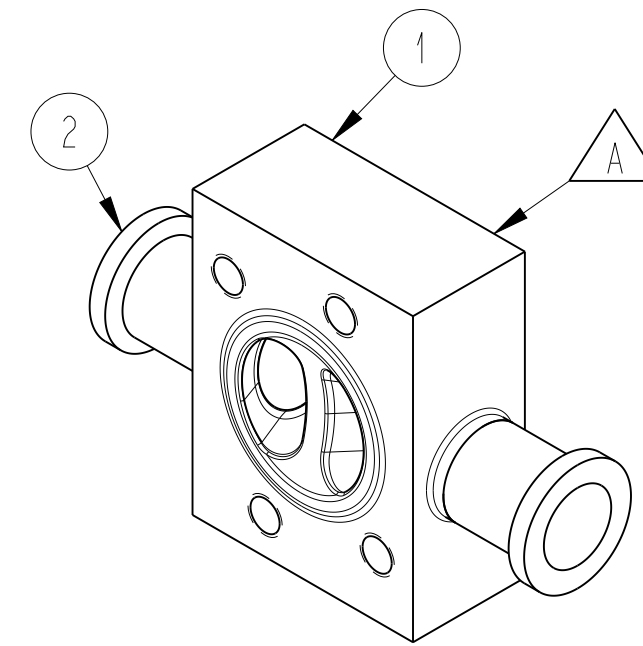


	VALVE	(A1)	(A2)	(B)	C1	C2	D	E
BIOVIZION	1/4" 20GA							(0.24) [6,2]
	1/4" 18GA							(0.26) [6,6]
	3/8" 20GA	(2.50) [63,5]	(4.72) [119,9]	(1.56) [39,7]	0.52 [13,1]	(1.63) [41,3]	(0.38) [9,5]	(0.18) [4,6]
	3/8" 18GA							(0.20) [5,0]
	1/2" 16GA							(0.15) [3,8]
ENVIZION	1/2" 16GA	(3.50) [88,9]	(5.28) [134,1]	(2.60) [66,0]	0.74 [18,7]	1.63 [41,3]	(0.38) [9,5]	(0.28) [7,0]
	3/4"R 16GA	(4.00) [101,6]			0.99 [25,0]		(0.53) [13,5]	(0.15) [3,8]
	3/4" 16GA	(6.01) [152,7]	(4.00) [101,6]		0.62 [15,7]		(0.69) [17,5]	(0.59) [14,9]
	1" 16GA	(4.50) [114,3]			0.87 [22,1]		(1.00) [25,4]	(0.46) [11,7]
	1-1/2" 16GA	(5.50) [139,7]	(7.15) [181,6]	(5.38) [136,7]	0.80 [20,3]		(0.53) [13,3]	
	2" 16GA	(6.25) [158,8]	(7.71) [195,8]	(5.89) [149,6]	1.15 [29,1]		1.88 [47,6]	(1.25) [31,8]

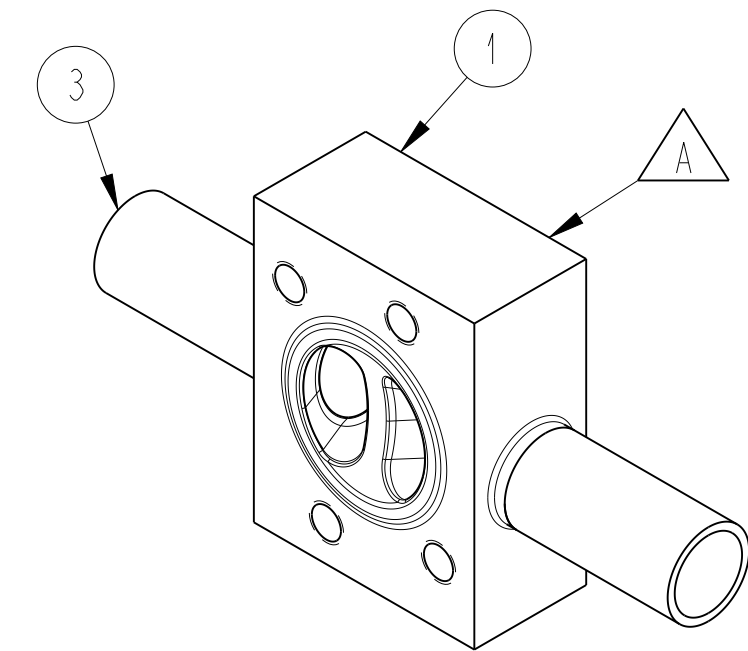
TAG NUMBERS	
1	VALVE ASSY



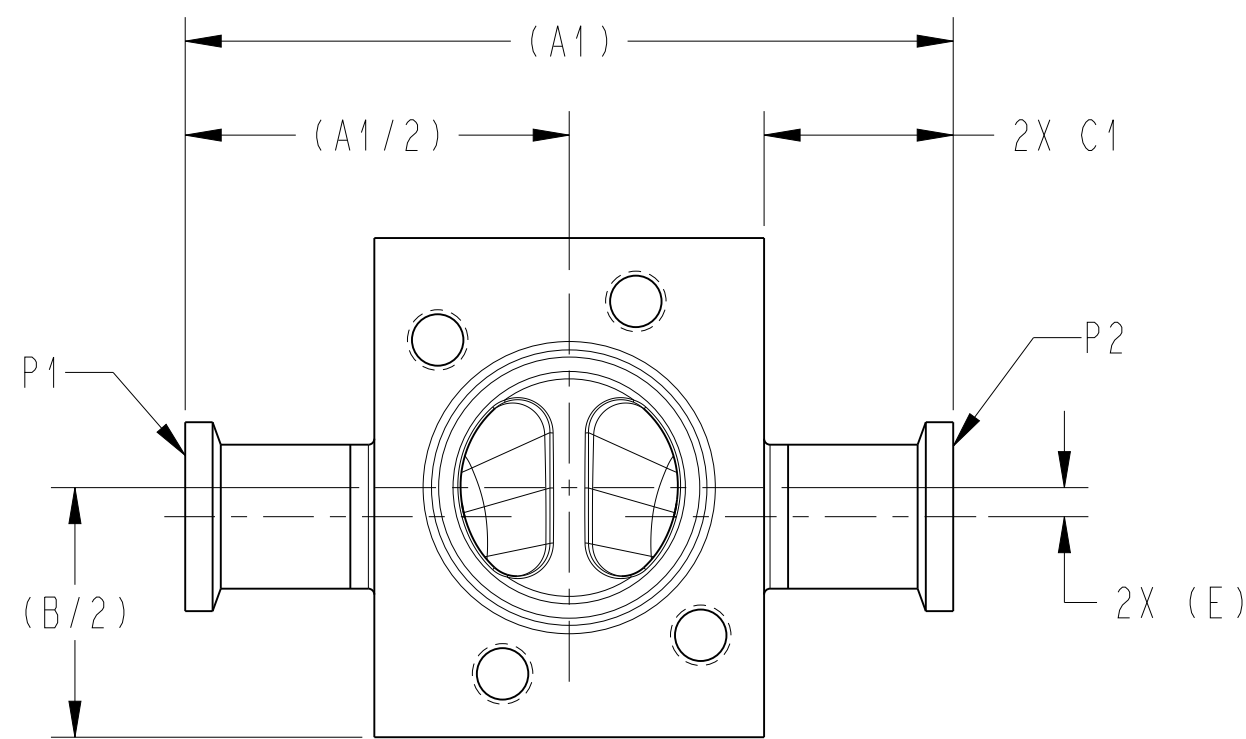
LIST OF MAJOR COMPONENTS		
ITEM	DESCRIPTION	QTY
1	VALVE BODY, (K29197A)	1
2	FERRULE TRI-CLAMP	2
3	TUBE BW	2



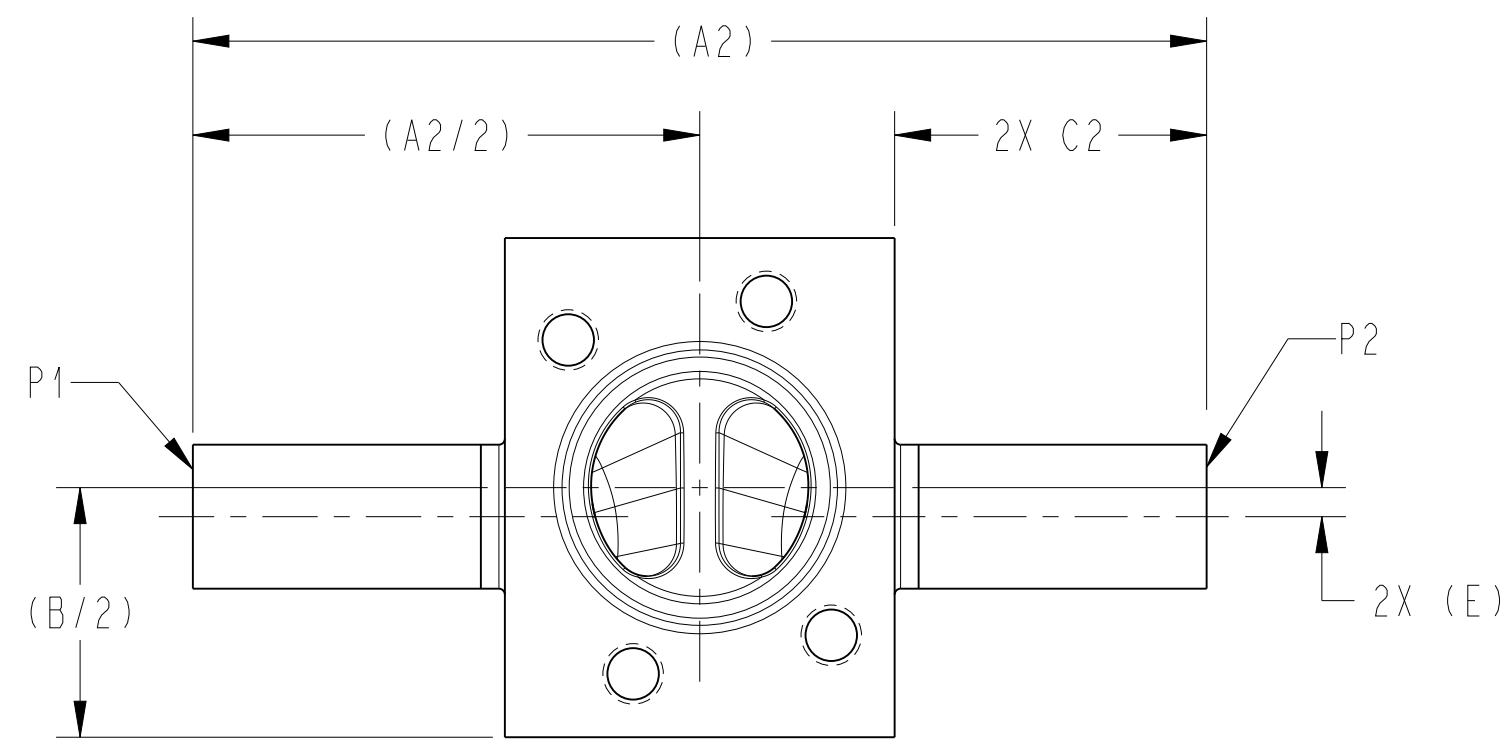
ISOMETRIC VIEW



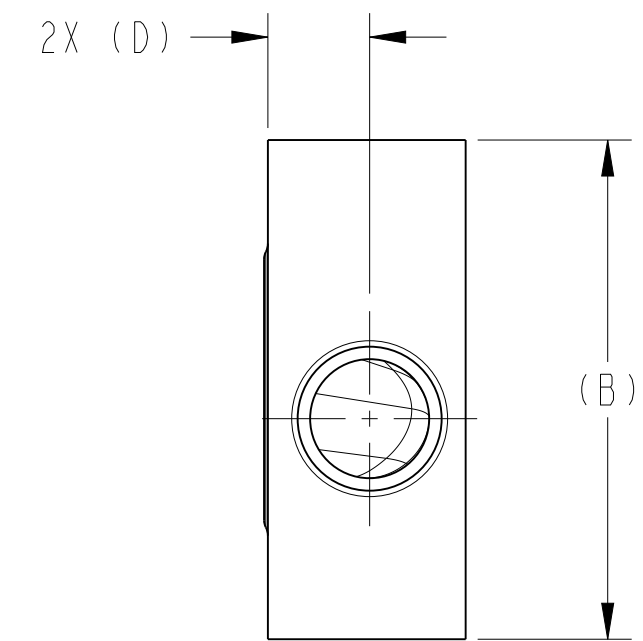
ISOMETRIC VIEW



FRONT VIEW



FRONT VIEW



SIDE VIEW

THIS DOCUMENT IS THE SOLE PROPERTY OF ITT CORPORATION, OR ITS SUBSIDIARY, AND IS PROVIDED SUBJECT TO RETURN. IT IS ISSUED IN STRICT CONFIDENCE AND SHALL NOT BE REPRODUCED, OR COPIED, OR DISCLOSED IN WHOLE OR IN PART, OR USED AS THE BASIS FOR THE MANUFACTURE OR SALES OF APPARATUS OR PARTS TO WHICH THE DOCUMENT RELATES, WITHOUT THE EXPRESS WRITTEN CONSENT OF ITT CORPORATION, OR ITS SUBSIDIARY. THIS LEGEND SHALL BE MARKED ON ANY REPRODUCTION HEREOF, IN WHOLE OR IN PART. ALL RIGHTS TO THE INFORMATION AND DESIGN DISCLOSED HEREIN ARE RESERVED TO ITT CORPORATION, OR ITS SUBSIDIARY.

PURE-FLO ORDER: -	ITEM: -	THIRD ANGLE PROJECTION	UNLESS OTHERWISE NOTED	DATE	BY	VALVE OFFSET PORT ASSY.		Pure-Flo www.ittpureflo.com
CUSTOMER: -			INCH MM	DWN 10/07/21	LFV	BIOVIZION 1/4" - 1/2"		
CUSTOMER PO: -			X = ± 0.06 X = ± 1.5	CHKD 10/07/21	KRP	ENVIZION 1/2" - 2"	ITT	SHEET REV 1 OF 1 -
OTHER INFO: -		UNLESS OTHERWISE SPECIFIED, ALL DIMENSIONS ARE IN INCHES	.XX = ± 0.06 .XX = ± 1.5 .XXX = ± 0.02 .XX = ± 1.5 X/X = ± 1/16 X° = ± 5° X° = ± 5°	APVD 10/07/21	TJS	MASTER DWG: A29206A/-		