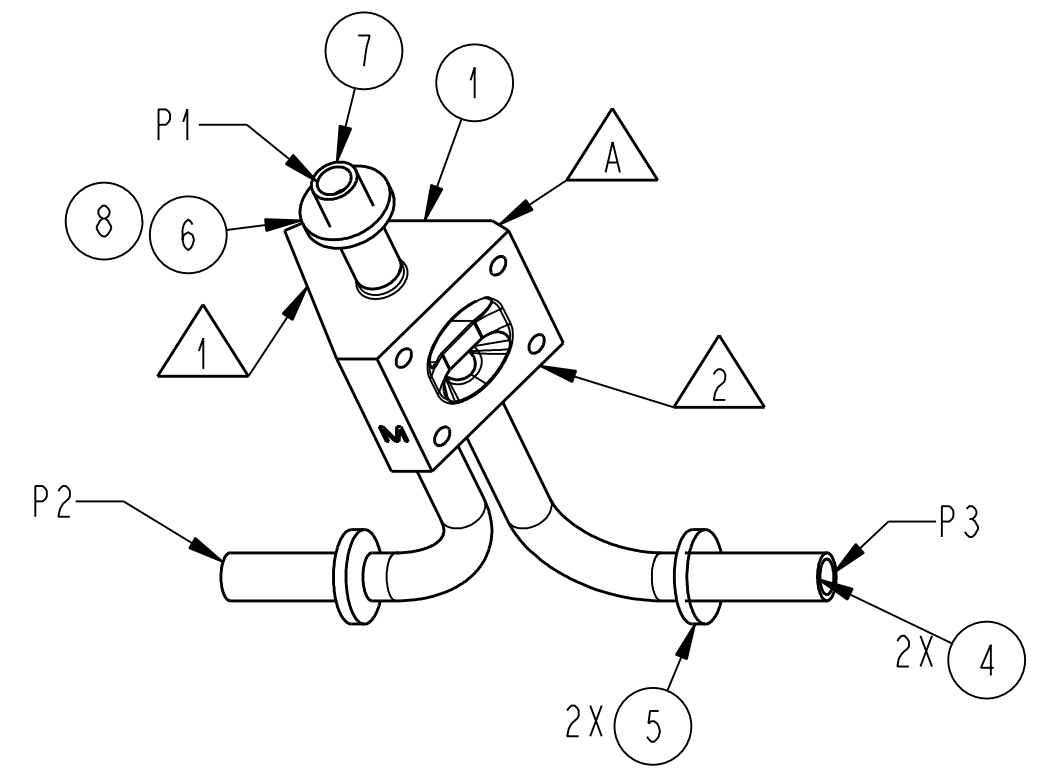


VALVE SIZE	A	A1	(B)	(B1)	(C)	(C1)	(D)	(D1)	(E)	(E1)	(F)	(F1)	(G)	(H)	(H1)	J	K	K1	L	L1	(M)	DRAWING
0.50	1.63 [41,4]	1.26 [32,0]	2.57 [65,3]	2.20 [55,9]	6.64 [168,7]	6.27 [159,3]	7.62 [193,5]	6.00 [152,4]	8.76 [222,5]	6.89 [175,0]	6.75 [171,5]	4.00 [101,6]	2.78 [70,5]	3.75 [95,3]	2.38 [60,3]	3.13 [79,5]	4.11 [104,4]	2.86 [72,6]	5.25 [133,4]	3.75 [95,3]	0.38 [9,5]	118209
0.75	1.63 [41,4]	1.26 [32,0]	2.87 [72,8]	2.50 [63,4]	7.23 [183,6]	6.86 [174,2]	8.81 [223,8]	7.19 [182,7]	9.60 [243,8]	7.73 [196,3]	7.03 [178,6]	4.28 [108,7]	3.76 [95,6]	4.03 [102,4]	2.66 [67,4]	3.13 [79,5]	4.71 [119,7]	3.46 [87,9]	5.50 [139,7]	4.00 [101,6]	0.52 [13,1]	118210
1.00	1.63 [41,4]	1.26 [32,0]	3.01 [76,5]	2.64 [67,1]	7.52 [191,0]	7.15 [181,6]	9.48 [240,7]	7.98 [202,7]	9.89 [251,2]	8.02 [203,7]	7.25 [184,2]	5.25 [133,4]	4.42 [112,3]	4.25 [108,0]	3.25 [82,6]	3.13 [79,5]	5.09 [129,2]	3.96 [100,6]	5.50 [139,7]	4.00 [101,6]	0.63 [15,9]	118211
1.50	1.63 [41,4]	1.26 [32,0]	3.48 [88,3]	3.11 [78,9]	9.20 [233,7]	8.83 [224,3]	11.41 [289,7]	11.98 [253,4]	10.82 [274,8]	8.95 [227,3]	9.70 [246,4]	7.70 [195,6]	6.25 [158,8]	5.95 [151,1]	4.95 [125,7]	3.88 [98,6]	6.09 [154,6]	5.03 [127,6]	5.50 [139,7]	4.00 [101,6]	1.10 [27,9]	118212
2.00	1.88 [47,8]	1.26 [32,0]	4.01 [101,7]	3.39 [86,0]	11.01 [279,7]	10.39 [263,9]	13.47 [342,1]	11.60 [294,6]	13.38 [339,9]	11.01 [279,7]	12.00 [304,8]	9.50 [241,3]	7.43 [188,7]	7.25 [184,2]	6.00 [152,4]	4.88 [124,0]	7.34 [186,4]	6.09 [154,6]	7.25 [184,2]	5.50 [139,7]	1.25 [31,8]	118213
2.50	1.88 [47,8]	1.26 [32,0]	5.13 [130,3]	4.51 [114,6]	14.01 [355,9]	13.39 [340,1]	16.84 [427,8]	14.91 [378,7]	16.38 [416,1]	14.26 [362,2]	13.81 [350,9]	11.31 [287,4]	8.62 [218,9]	8.31 [211,2]	7.06 [179,4]	5.63 [143,0]	8.46 [214,9]	7.15 [181,6]	8.00 [203,2]	6.50 [165,1]	1.41 [35,7]	120018
3.00	1.88 [47,8]	1.26 [32,0]	5.13 [130,3]	4.51 [114,6]	14.76 [374,9]	14.14 [359,2]	17.84 [453,2]	15.97 [405,7]	16.88 [428,8]	14.76 [374,9]	16.00 [406,4]	13.50 [342,9]	10.19 [258,7]	9.75 [247,7]	8.50 [215,9]	6.38 [162,1]	9.46 [240,3]	8.21 [208,6]	8.50 [215,9]	7.00 [177,8]	1.75 [44,5]	121119
4.00	2.13 [54,1]	1.26 [32,0]	6.63 [168,4]	5.76 [146,3]	19.26 [489,2]	18.39 [467,1]	22.97 [583,3]	20.72 [526,3]	22.13 [562,1]	19.39 [492,4]	20.41 [518,4]	17.66 [448,5]	12.85 [326,4]	12.41 [315,2]	11.03 [280,3]	8.13 [206,5]	11.84 [300,6]	10.46 [265,7]	11.00 [279,4]	9.13 [231,8]	2.20 [56,0]	M10093

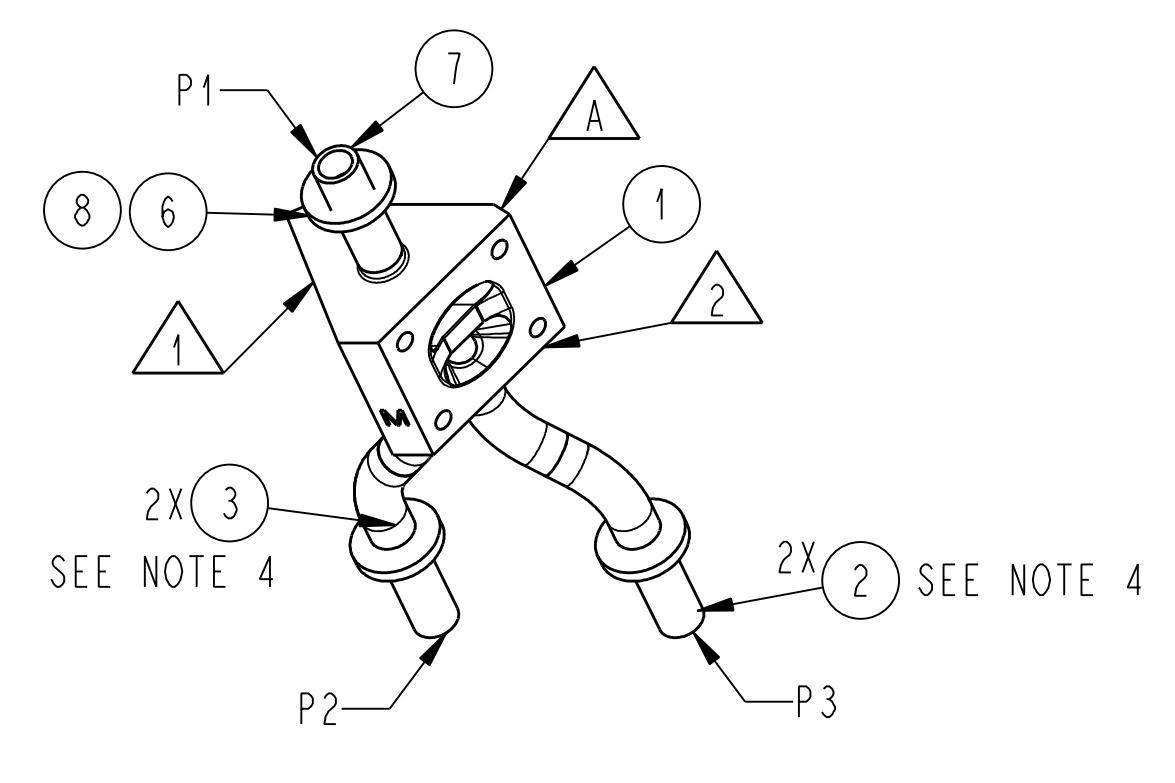
LIST OF MAJOR COMPONENTS	
ITEM	DESCRIPTION
1	BODY 2DV
2	ELBOW FABRICATION WBxAW (123408)
3	ELBOW FABRICATION WBxTC (123408)
4	ELBOW 90 DEG BPE, (121647)
5	ELBOW 90 DEG BPE W/ TC, (122147)
6	FERRULE TRI-CLAMP SW
7	TUBE
8	FERRULE TRI-CLAMP BW

NOTES : (UNLESS OTHERWISE SPECIFIED)
1. "P" NUMBERS INDICATE PORT CONNECTION.
2. FOR FABRICATION TOLERANCES REFER TO ITT SPECIFICATION ESA-0073.
3. INTERNAL WELDS WILL REMAIN IN THE AS WELDED CONDITION.
4. REFER TO DRAWING 123408 FOR OP2 P2 & P3 ELBOW FABRICATION.

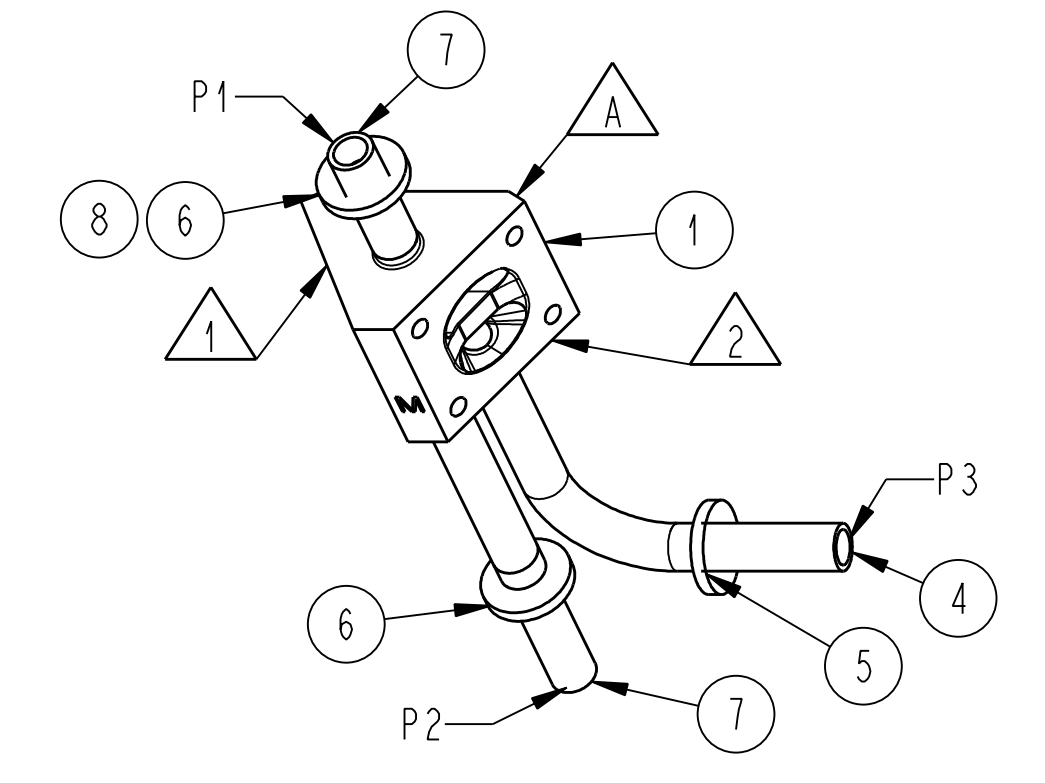
TAG NUMBERS			
	A	1	2
	VALVE ASSY	FIRST VALVE	SECOND VALVE
1			



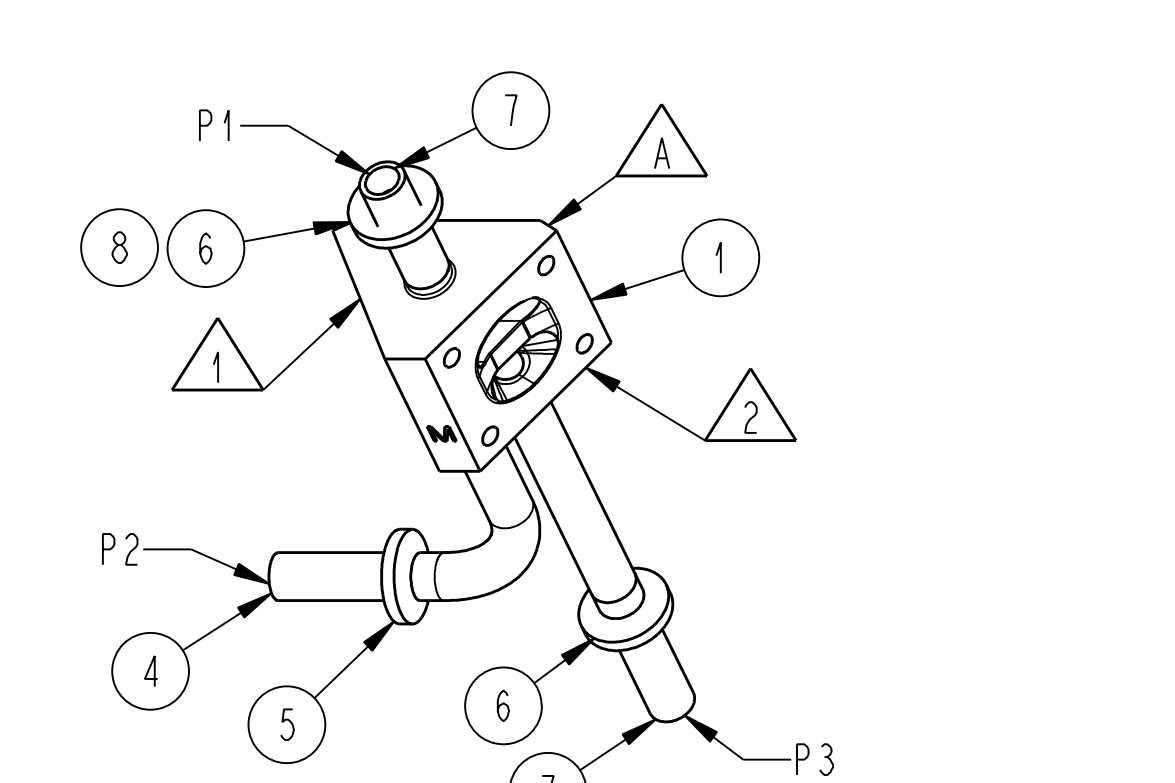
OPTION 1



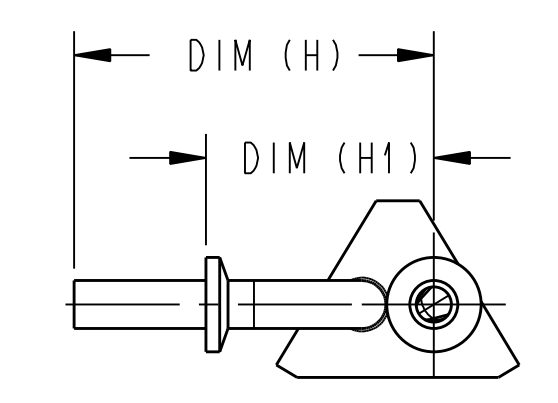
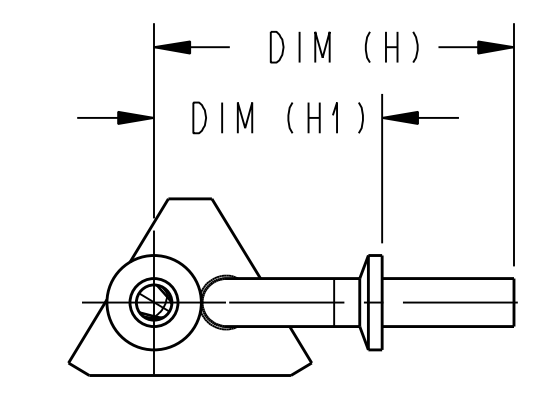
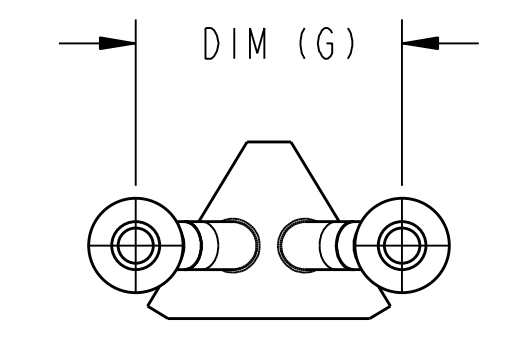
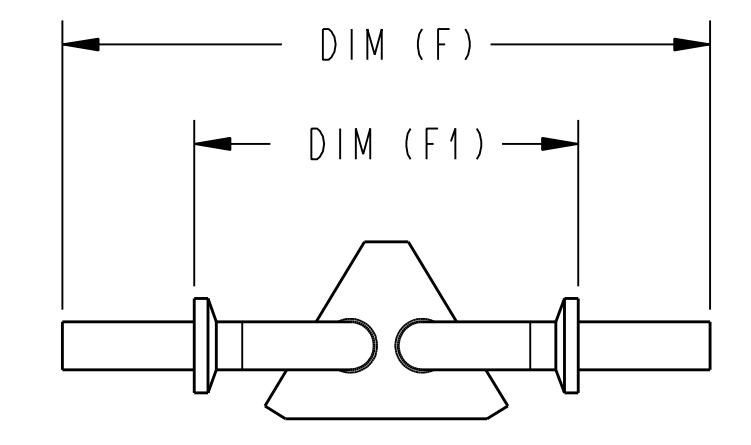
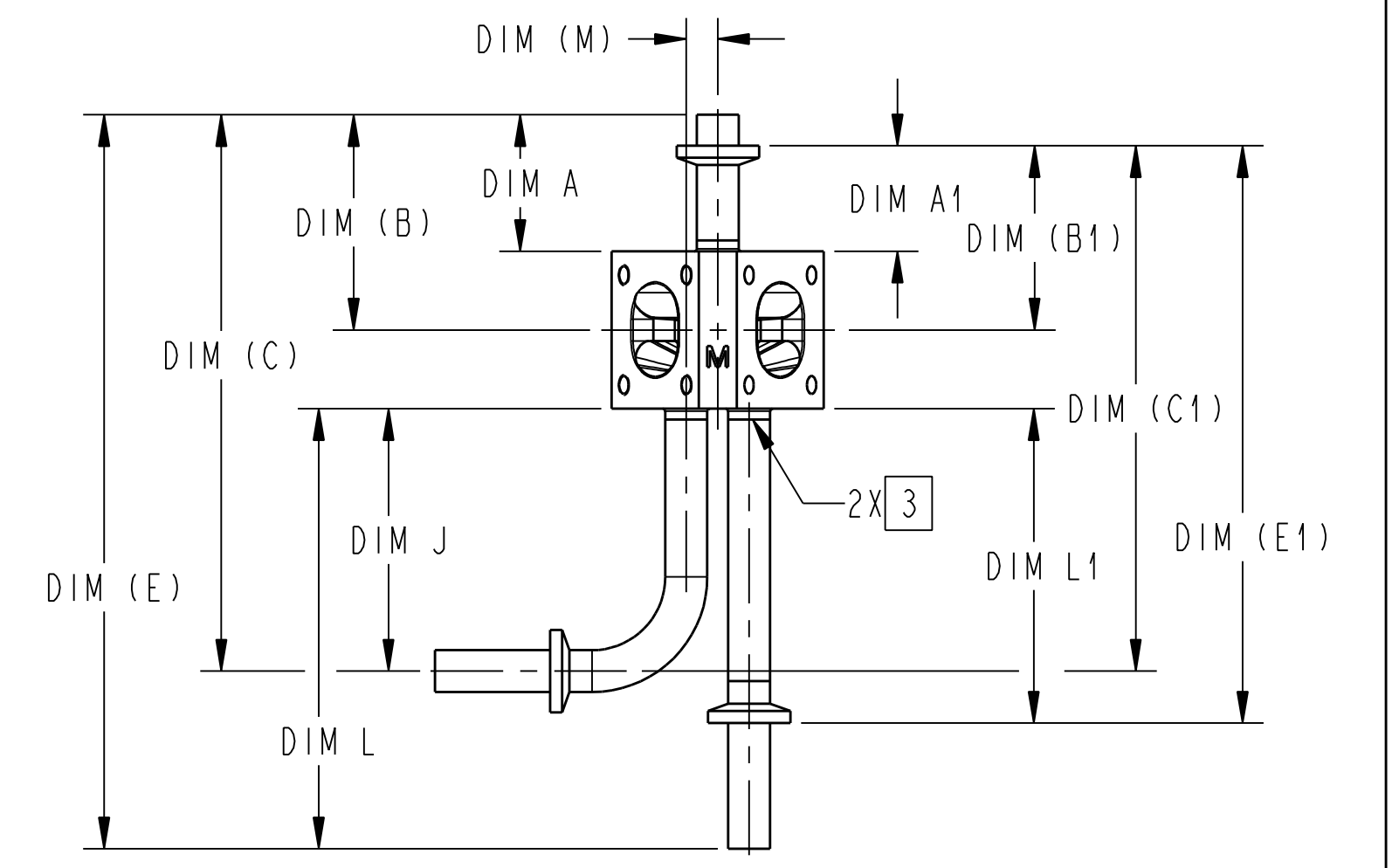
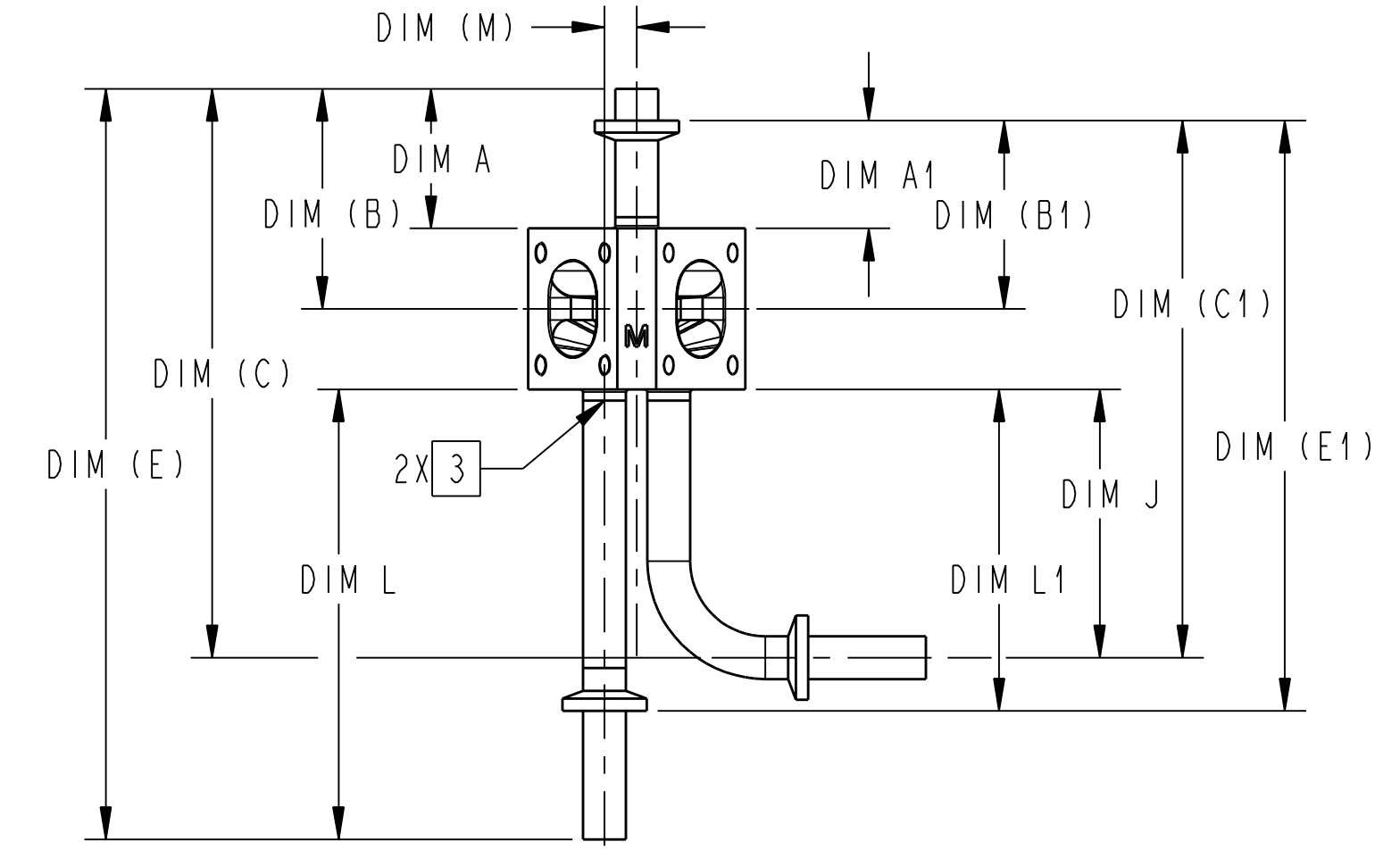
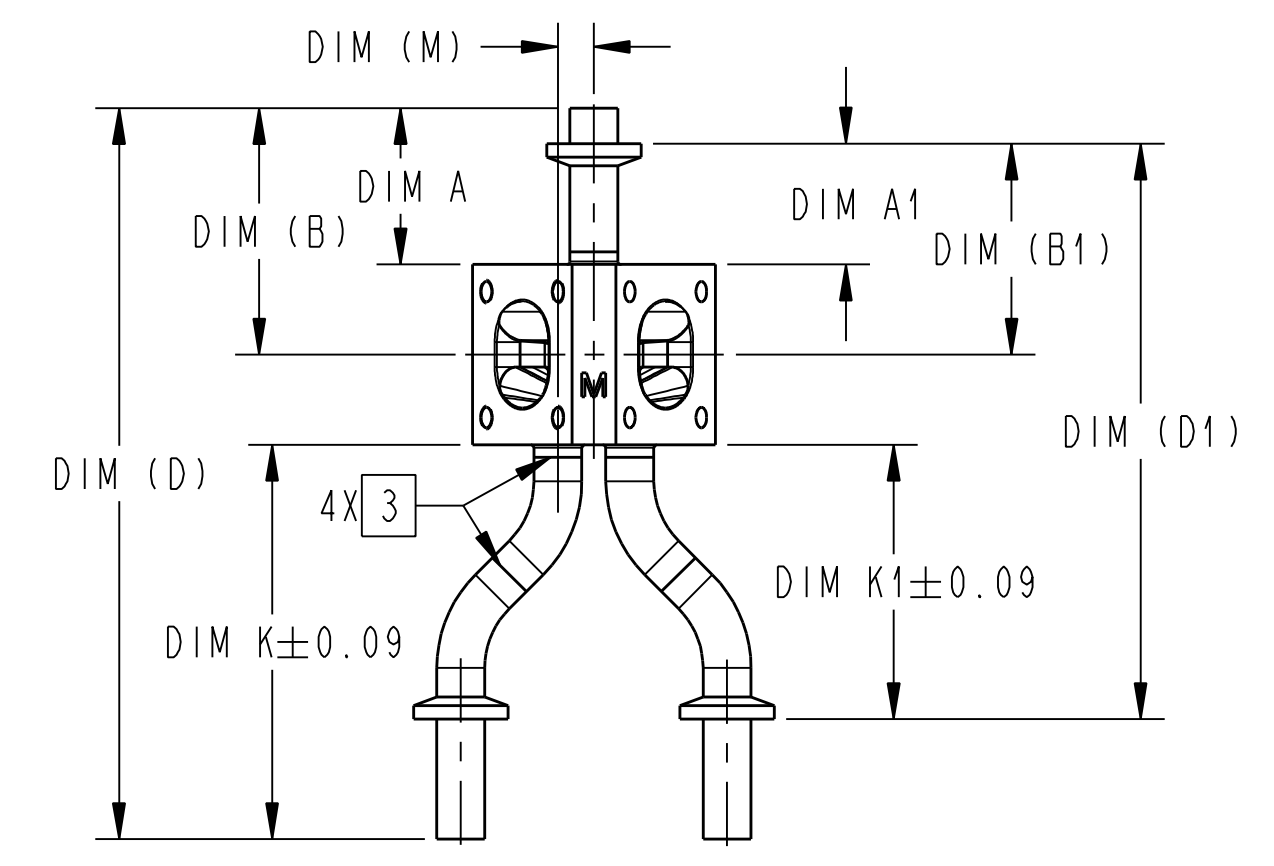
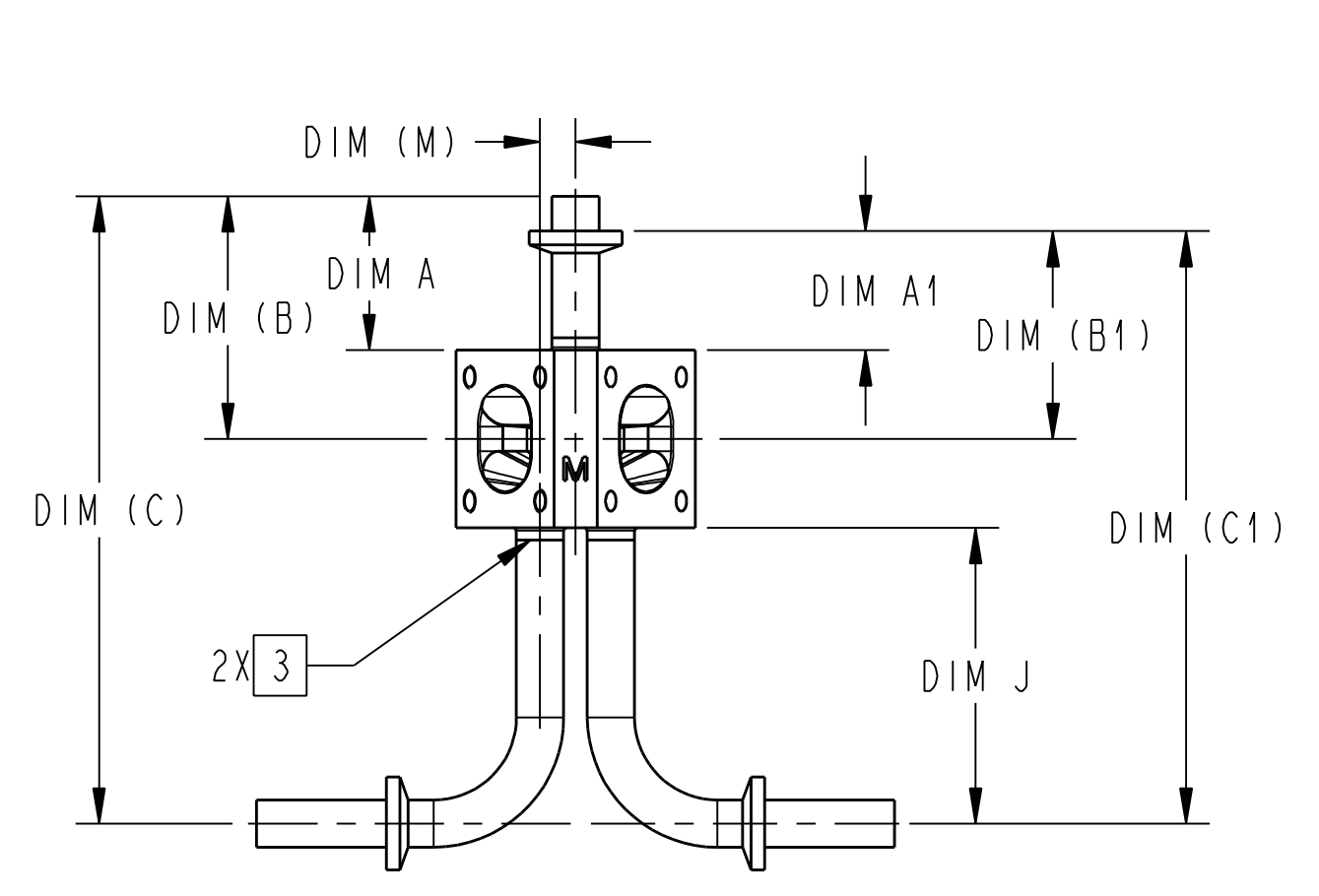
OPTION 2



OPTION 3



OPTION 4



PURE-FLO ORDER: - ITEM: -
CUSTOMER: -
CUSTOMER PO: -
OTHER INFO: -

THIS DOCUMENT IS THE SOLE PROPERTY OF ITT CORPORATION, OR ITS SUBSIDIARY, AND IS PROVIDED SUBJECT TO RETURN. IT IS ISSUED IN STRICT CONFIDENCE AND SHALL NOT BE REPRODUCED, OR COPIED, OR DISCLOSED IN WHOLE OR IN PART, OR USED AS THE BASIS FOR THE MANUFACTURE OR SALES OF APPARATUS OR PARTS TO WHICH THE DOCUMENT RELATES, WITHOUT THE EXPRESS WRITTEN CONSENT OF ITT CORPORATION, OR ITS SUBSIDIARY. THIS LEGEND SHALL BE MARKED ON ANY REPRODUCTION HEREOF, IN WHOLE OR IN PART. ALL RIGHTS TO THE INFORMATION AND DESIGN DISCLOSED HEREIN ARE RESERVED TO ITT CORPORATION, OR ITS SUBSIDIARY.

THIRD ANGLE PROJECTION	UNLESS OTHERWISE NOTED INCH MM	DATE	BY
	X : ± 0.06 XX : ± 0.06 XXX : ± 0.02 X : ± 1.5 XX : ± 1.5 XXX : ± 0.125	DWN 05/24/16	LFV
UNLESS OTHERWISE SPECIFIED, ALL DIMENSIONS ARE IN -	X : ± 0.06 XX : ± 0.06 XXX : ± 0.02	CHKD 05/24/16	MMA
	X : ± 1.5 XX : ± 1.5 XXX : ± 0.125	APVD 05/24/16	MMA

1/2" PF - 4" 2-WAY DIVERT VALVE
EXTENDED SERIES

ITT Pure-Flo
www.ittpureflo.com

D A29676
SHEET 1 OF 1 REV A

MASTER DWG: A29676/A ECN# 16191 ISSUE BY: - CERT BY: -