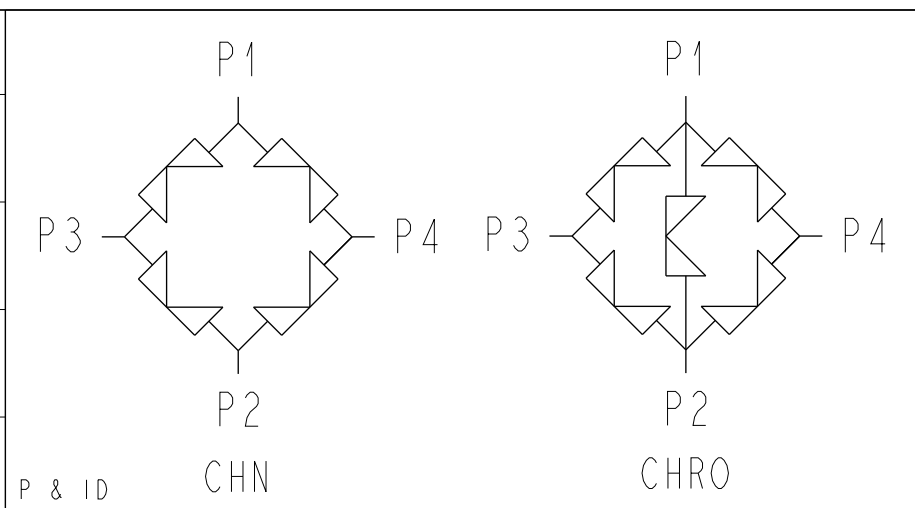
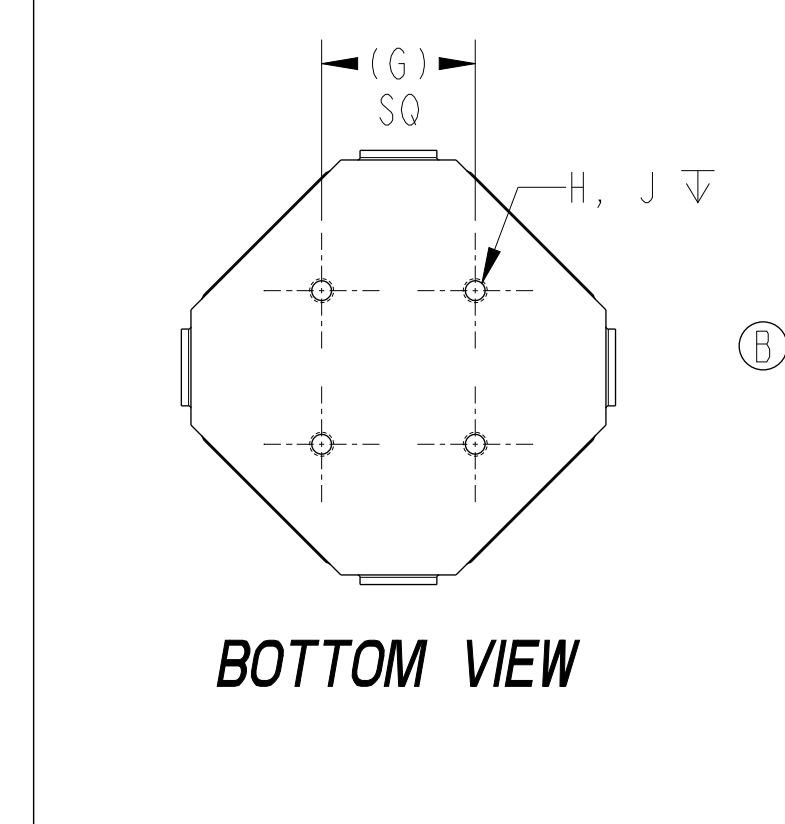


BODY	A	A1	(B)	(C)	(C1)	(D)	(E)
1/2" CHN/CHRO	7.13 [181,2]	7.63 [193,9]	(3.88) [98,7]	(1.63) [41,3]	(1.88) [47,6]	(2.60) [66,0]	(1.02) [26,0]
3/4"R CHN/CHRO	7.38 [187,6]	7.88 [200,3]	(4.13) [105,0]			(1.15) [29,2]	
3/4" CHN/CHRO	8.40 [213,4]	8.90 [226,1]	(5.15) [130,9]			(1.41) [35,9]	
1" CHN/CHRO	8.65 [219,8]	9.15 [232,5]	(5.40) [137,2]			(1.54) [39,1]	
1-1/2" CHN/CHRO	10.77 [273,4]	11.27 [286,1]	(7.52) [190,9]			(2.16) [55,0]	
2" CHN/CHRO	11.85 [301,0]	12.85 [326,4]	(8.10) [205,7]			(2.55) [64,9]	

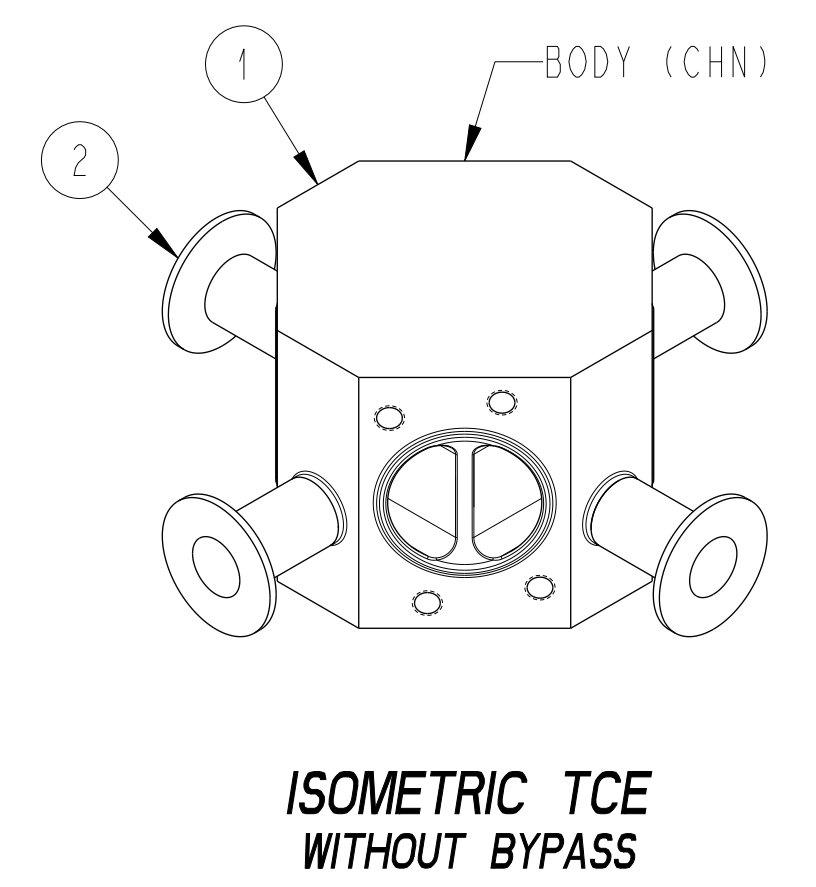
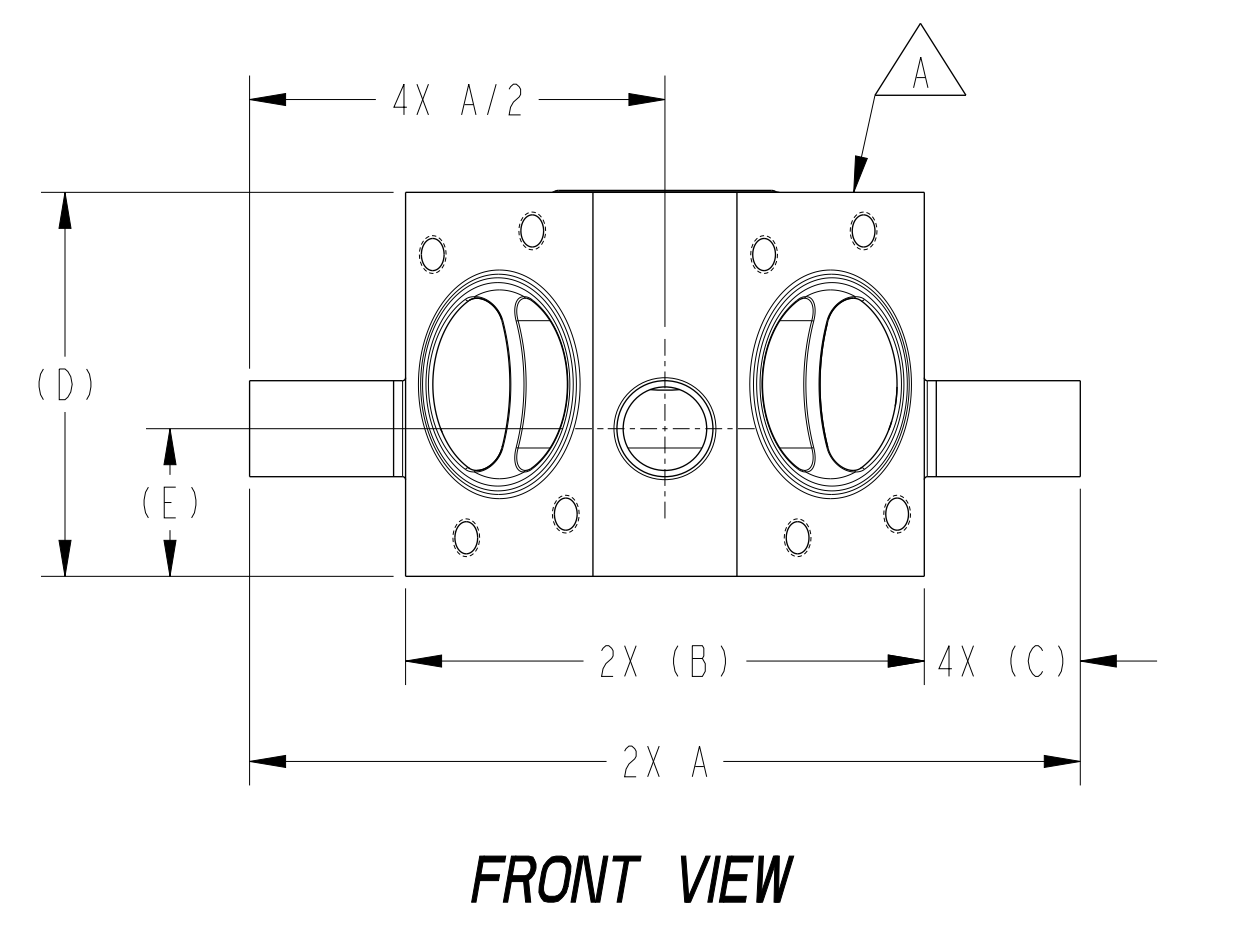
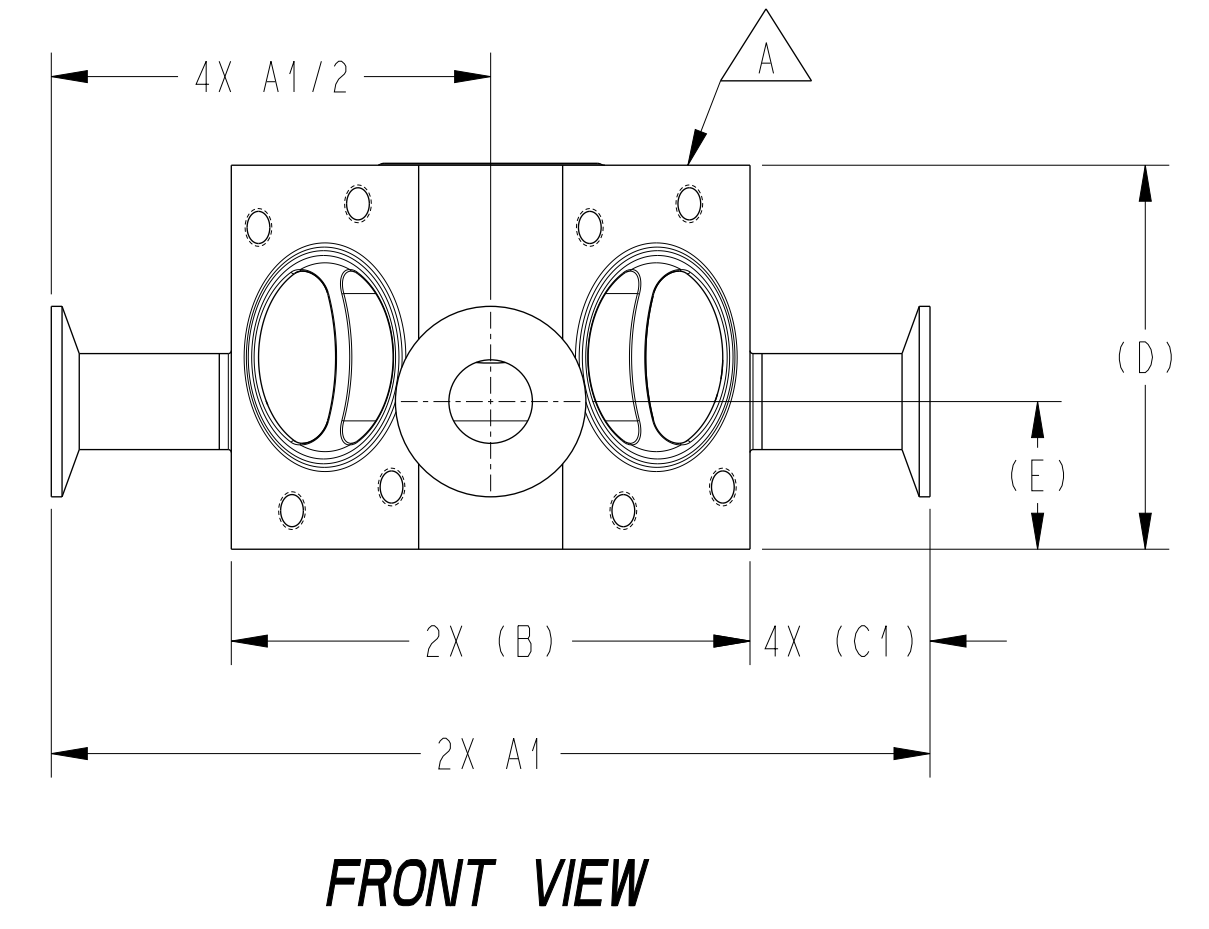
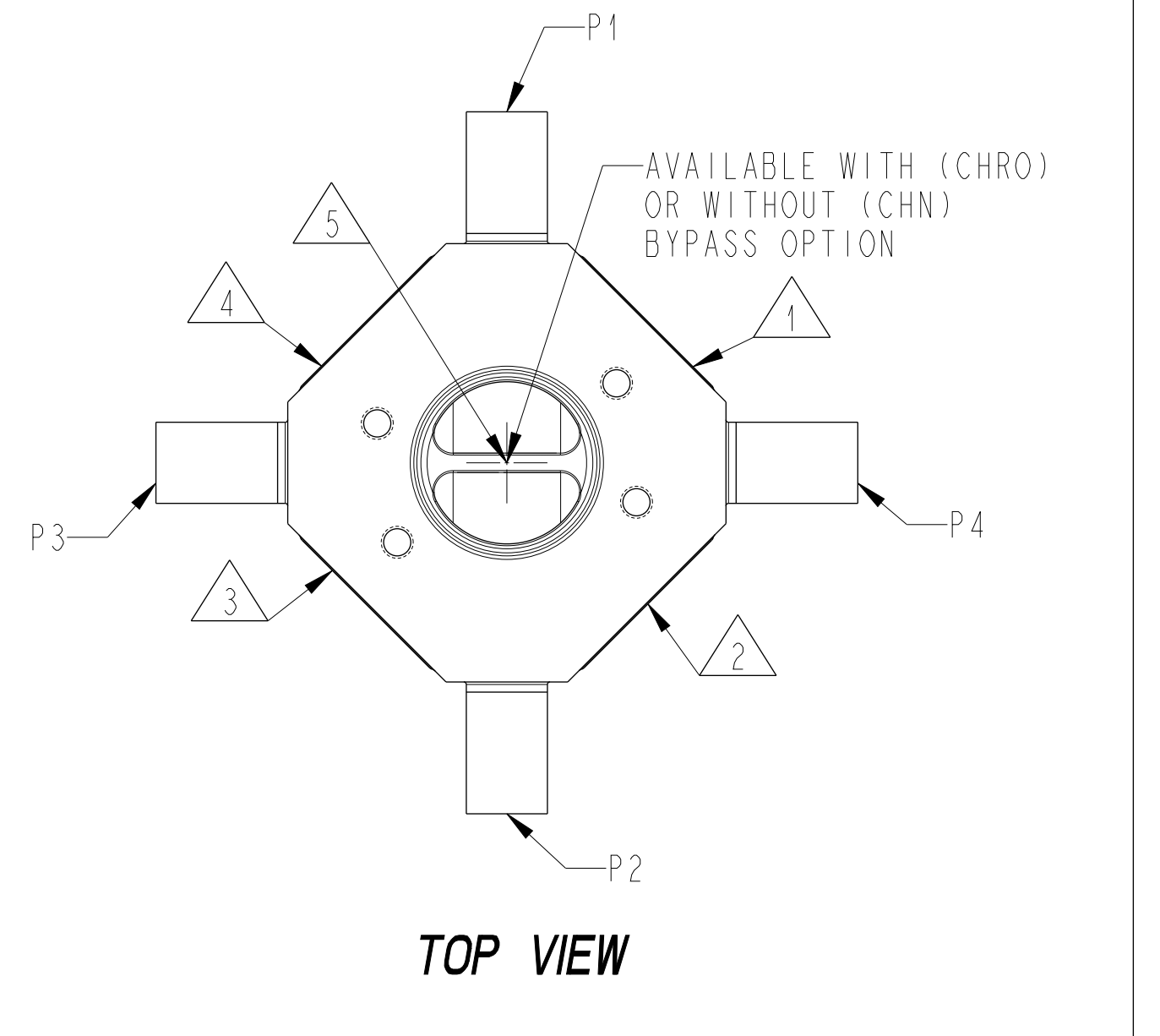
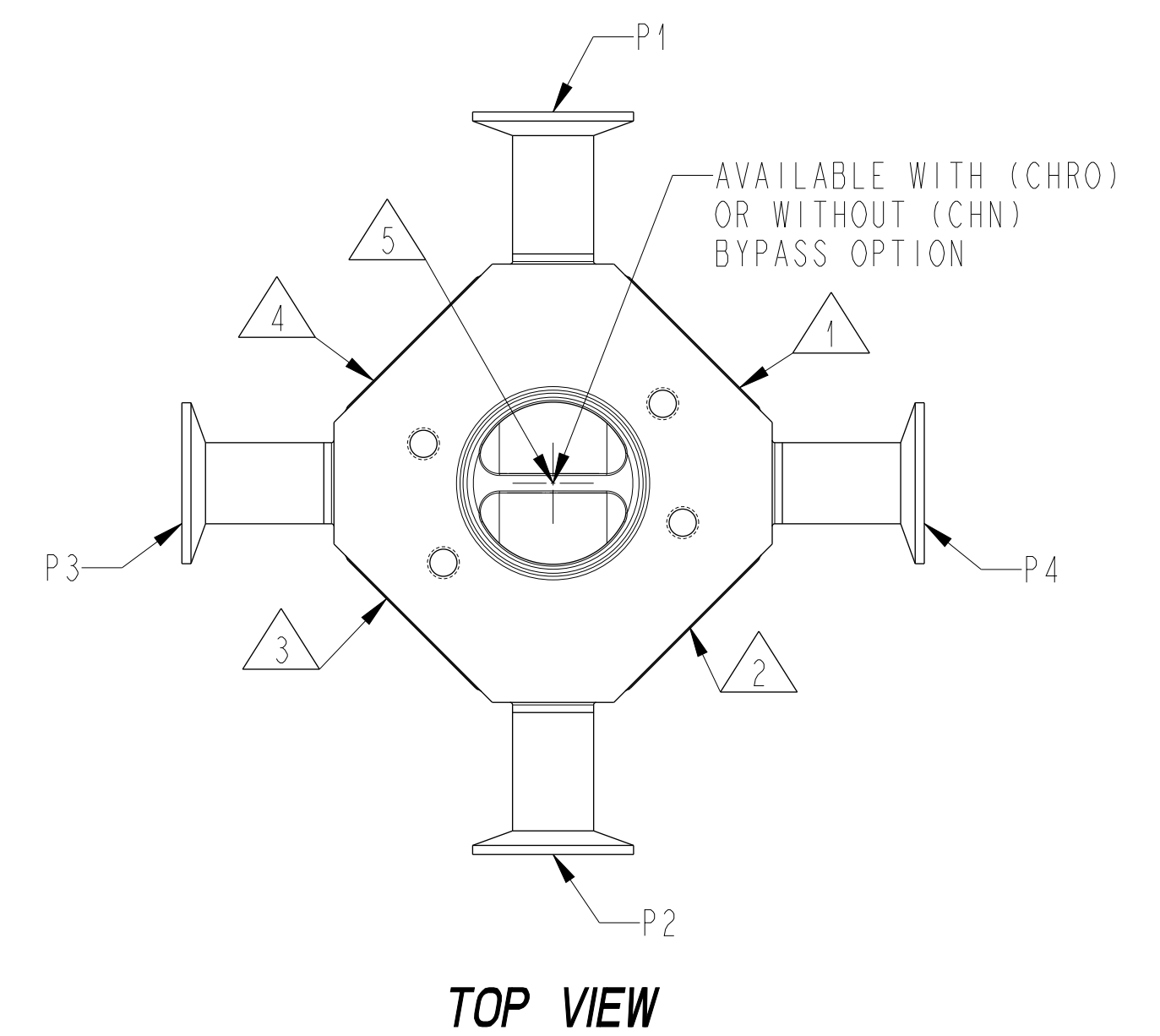


TAG NUMBERS						
	A	1	2	3	4	5
	VALVE ASSY	FIRST VALVE	SECOND VALVE	THIRD VALVE	FOURTH VALVE	FIFTH VALVE
1						

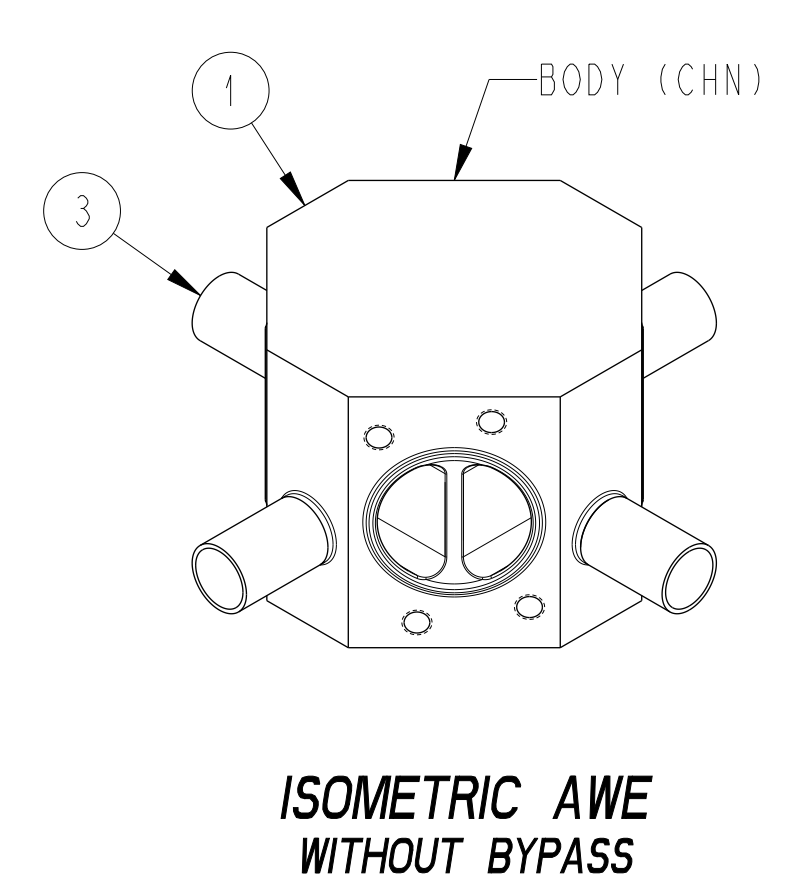
LIST OF MAJOR COMPONENTS	
ITEM	DESCRIPTION
1	CHROMATOGRAPHY W2 BODY, (123795)
2	FERRULE TRI-CLAMP AWE
3	TUBE



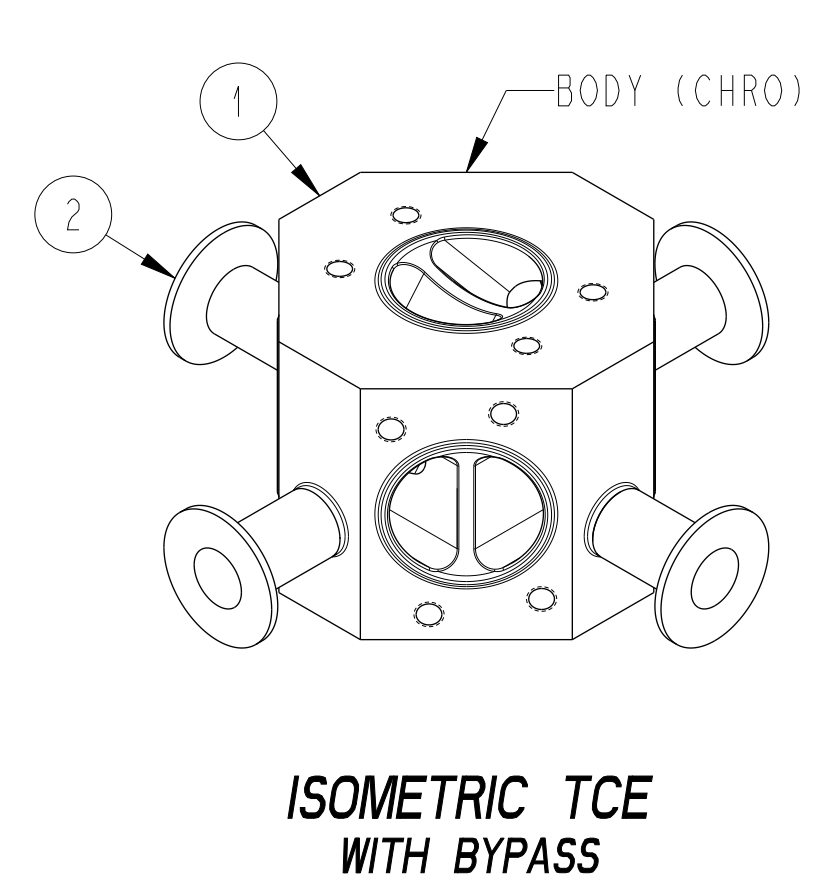
VALVE SIZE	OPTIONAL MOUNTING HOLES		
	G	H	J
1/2" CHN/CHRO	2.00 [50,8]	1/4-20 UNC-2B	0.50 [12,7]
3/4"R CHN/CHRO			0.62 [15,9]
3/4" CHN/CHRO	2.50 [63,5]	5/16-18 UNC-2B	0.75 [19,0]
1" CHN/CHRO			0.75 [19,0]
1-1/2" CHN/CHRO			0.75 [19,0]
2" CHN/CHRO	3.00 [76,2]	3/8-16 UNC-2B	0.75 [19,0]



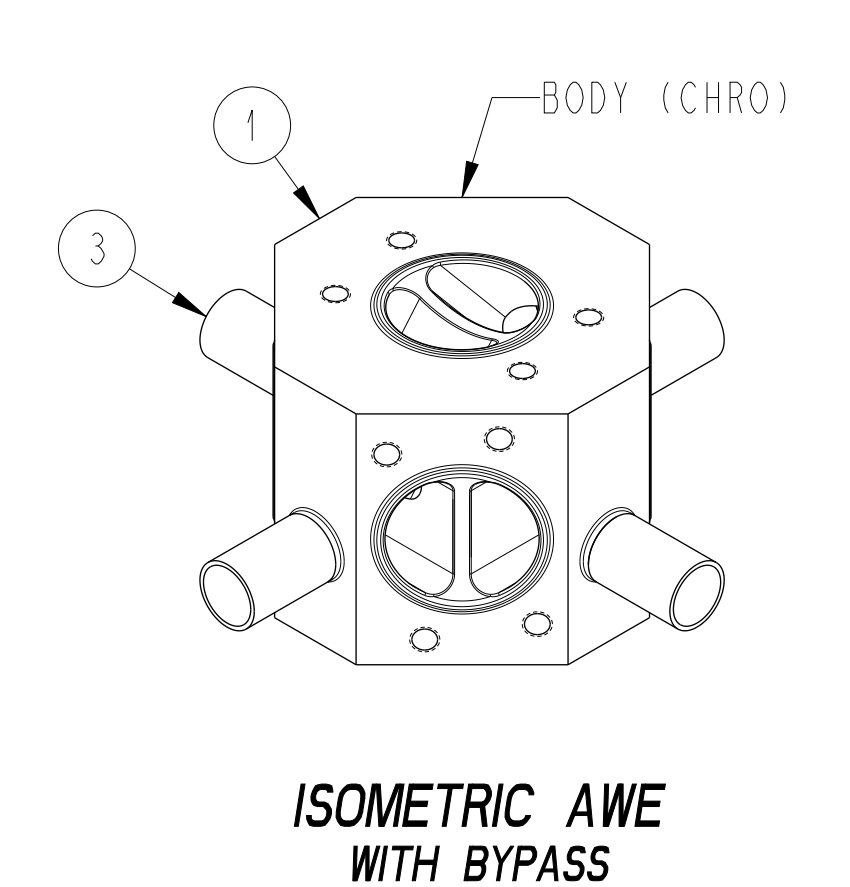
ISOMETRIC TCE  
WITHOUT BYPASS



ISOMETRIC AWE  
WITHOUT BYPASS



ISOMETRIC TCE  
WITH BYPASS



ISOMETRIC AWE  
WITH BYPASS

PURE-FLO ORDER: - ITEM: -  
 CUSTOMER: -  
 CUSTOMER PO: -  
 OTHER INFO: -

THIS DOCUMENT IS THE SOLE PROPERTY OF ITT CORPORATION, OR ITS SUBSIDIARY, AND IS PROVIDED SUBJECT TO RETURN. IT IS ISSUED IN STRICT CONFIDENCE AND SHALL NOT BE REPRODUCED, OR COPIED, OR DISCLOSED IN WHOLE OR IN PART, OR USED AS THE BASIS FOR THE MANUFACTURE OR SALES OF APPARATUS OR PARTS TO WHICH THE DOCUMENT RELATES, WITHOUT THE EXPRESS WRITTEN CONSENT OF ITT CORPORATION, OR ITS SUBSIDIARY. THIS LEGEND SHALL BE MARKED ON ANY REPRODUCTION HEREOF, IN WHOLE OR IN PART. ALL RIGHTS TO THE INFORMATION AND DESIGN DISCLOSED HEREIN ARE RESERVED TO ITT CORPORATION, OR ITS SUBSIDIARY.

THIRD ANGLE PROJECTION	UNLESS OTHERWISE NOTED
	INCH
	MM
	X ± 0.06
	.XX ± 0.06
	.XXX ± 0.02
	X ± 1/16
	X ± 1°
	X ± 1.5
	.XX ± 1.5
	X ± 1°

DATE	BY	CHROMATOGRAPHY
02/24/22	LFV	BODY ASSY.
02/24/22	KRP	-
02/24/22	TJS	-

MASTER DWG: A30464/B ECN# 18726

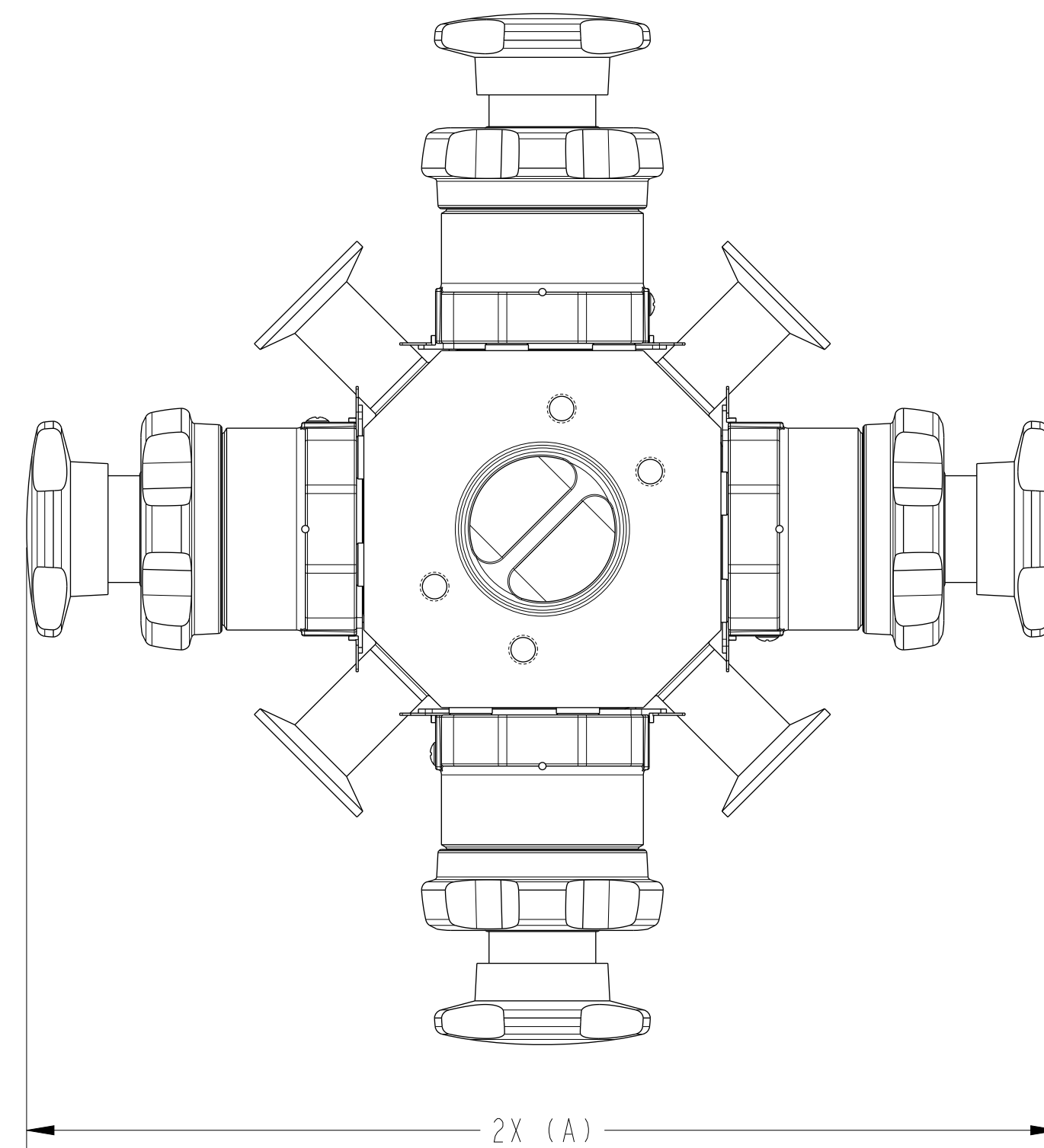
ITT  
www.ittpureflo.com

D A30464

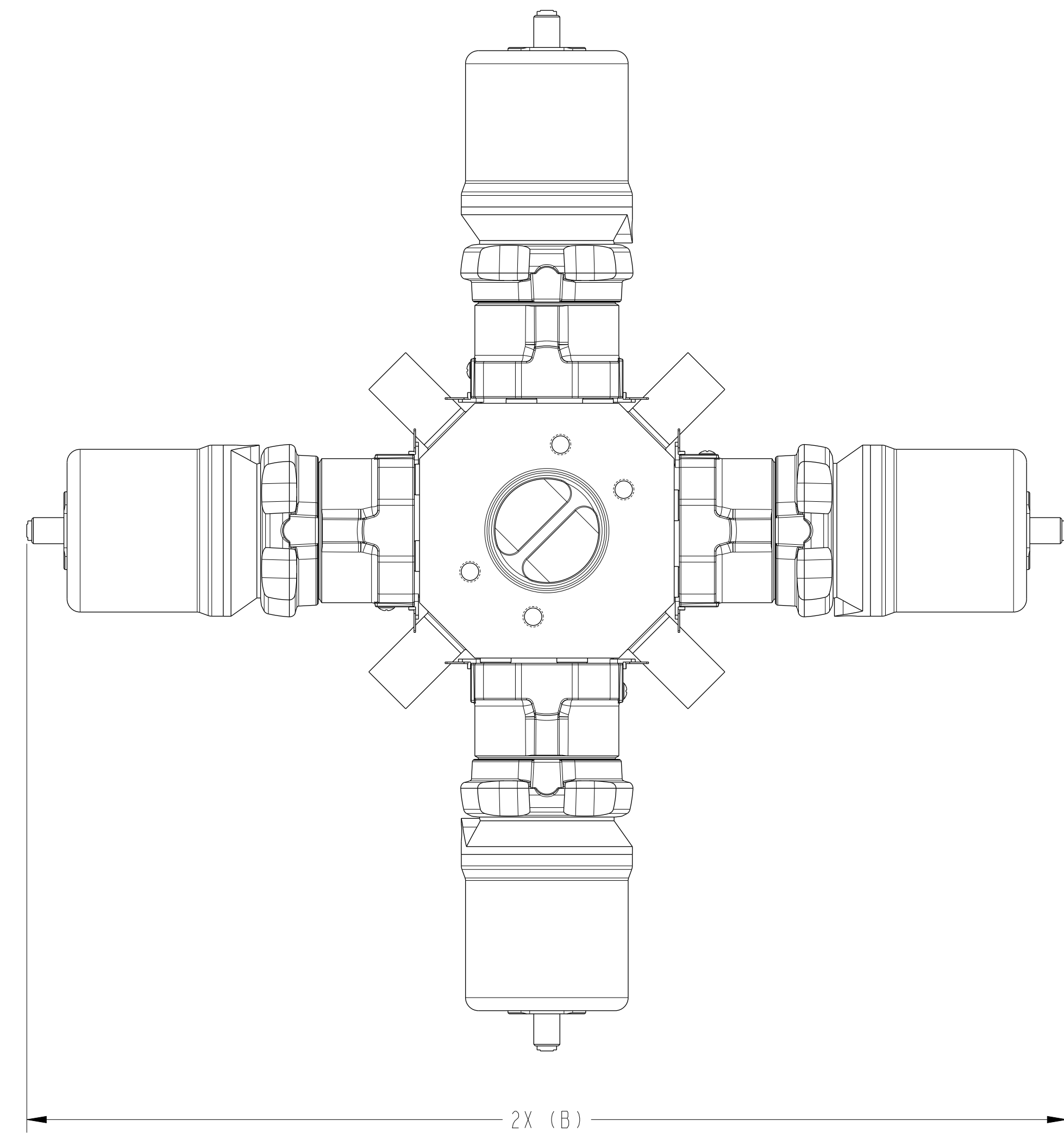
SHEET 1 OF 2  
REV B

ISSUE BY: - CERT BY: -

BODY	(A)	(B)
1/2" CHN/CHRO	(10.55) [267,9]	(15.60) [396,2]
3/4"R CHN/CHRO	(10.90) [276,9]	(15.95) [405,2]
3/4" CHN/CHRO	(13.75) [349,2]	(19.59) [497,5]
1" CHN/CHRO	(14.10) [358,2]	(19.94) [506,5]
1-1/2" CHN/CHRO	(18.95) [481,3]	(28.93) [734,8]
2" CHN/CHRO	(20.58) [522,7]	(30.56) [776,1]



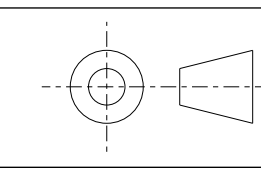
ENVIZION ZERO TORQUE MANUAL BONNET



ENVIZION ZERO TORQUE ACTUATED BONNET

PURE-FLO ORDER: - ITEM: -  
 CUSTOMER: -  
 CUSTOMER PO: -  
 OTHER INFO: -

THIS DOCUMENT IS THE SOLE PROPERTY OF ITT CORPORATION, OR ITS SUBSIDIARY, AND IS PROVIDED SUBJECT TO RETURN. IT IS ISSUED IN STRICT CONFIDENCE AND SHALL NOT BE REPRODUCED, OR COPIED, OR DISCLOSED IN WHOLE OR IN PART, OR USED AS THE BASIS FOR THE MANUFACTURE OR SALES OF APPARATUS OR PARTS TO WHICH THE DOCUMENT RELATES, WITHOUT THE EXPRESS WRITTEN CONSENT OF ITT CORPORATION, OR ITS SUBSIDIARY. THIS LEGEND SHALL BE MARKED ON ANY REPRODUCTION HEREOF, IN WHOLE OR IN PART. ALL RIGHTS TO THE INFORMATION AND DESIGN DISCLOSED HEREIN ARE RESERVED TO ITT CORPORATION, OR ITS SUBSIDIARY.

THIRD ANGLE PROJECTION  
  
 UNLESS OTHERWISE SPECIFIED, ALL DIMENSIONS ARE IN INCHES

UNLESS OTHERWISE NOTED  

INCH		MM	
.x	± 0.06	x	± 1.5
.xx	± 0.06	.xx	± 1.5
.xxx	± 0.02	.xxx	± 1.5
.x/x	± 1/16	.x°	± 1°
x°	± 1°	x°	± 1°

DATE	BY	CHROMATOGRAPHY
02/24/22	LFV	BODY ASSY.
02/24/22	KRP	-
02/24/22	TJS	-

APVD: -  
 MASTER DWG: A30464/B ECN# 18726

ITT  
 www.ittpureflo.com

D	A30464	SHEET 2 OF 2	REV B
ISSUE BY:	CERT BY:		