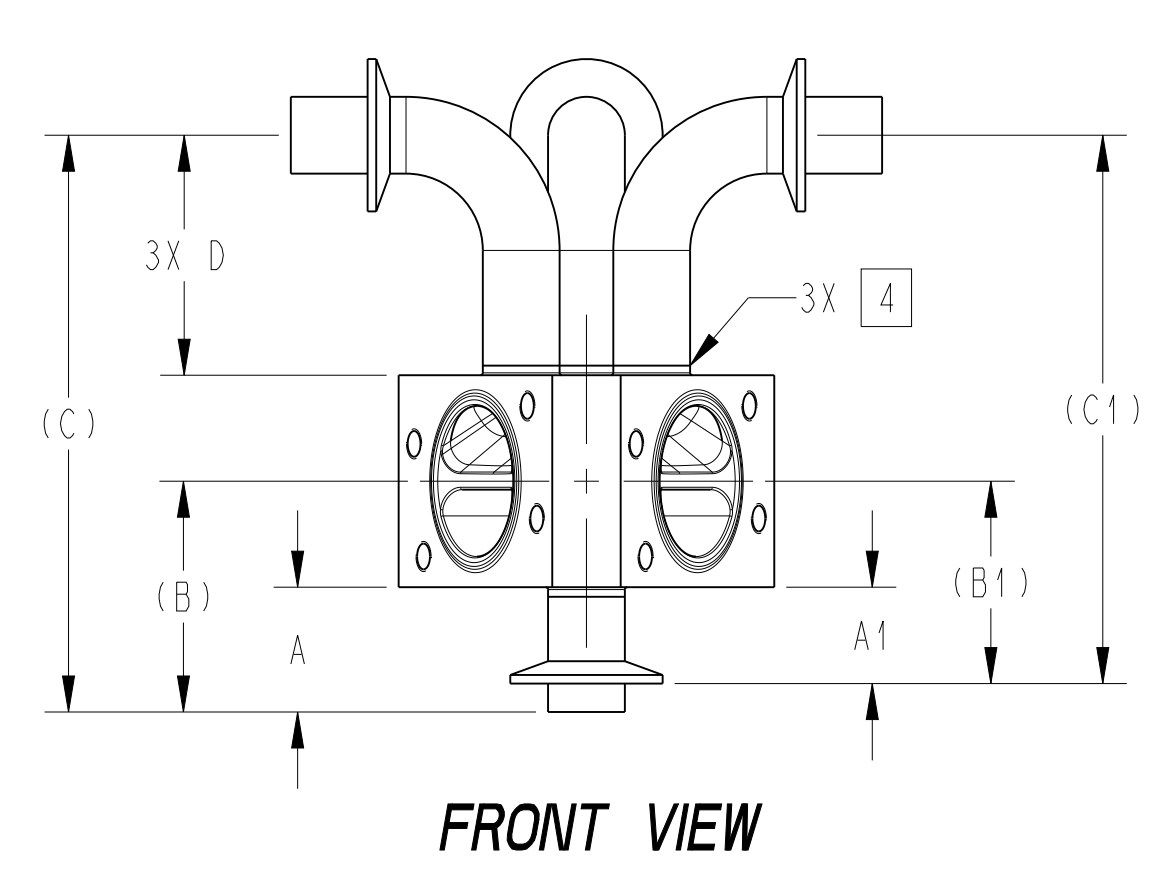
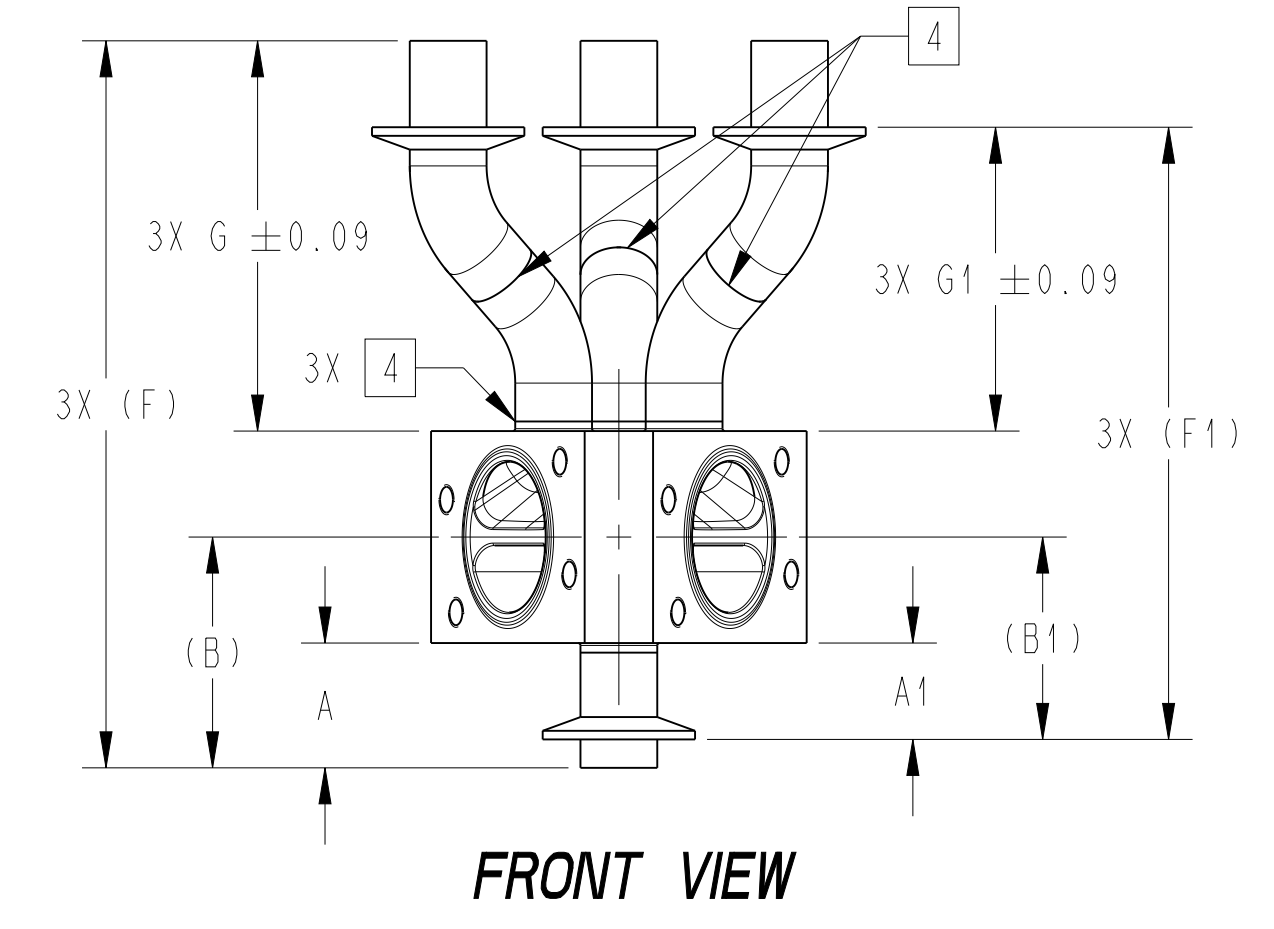
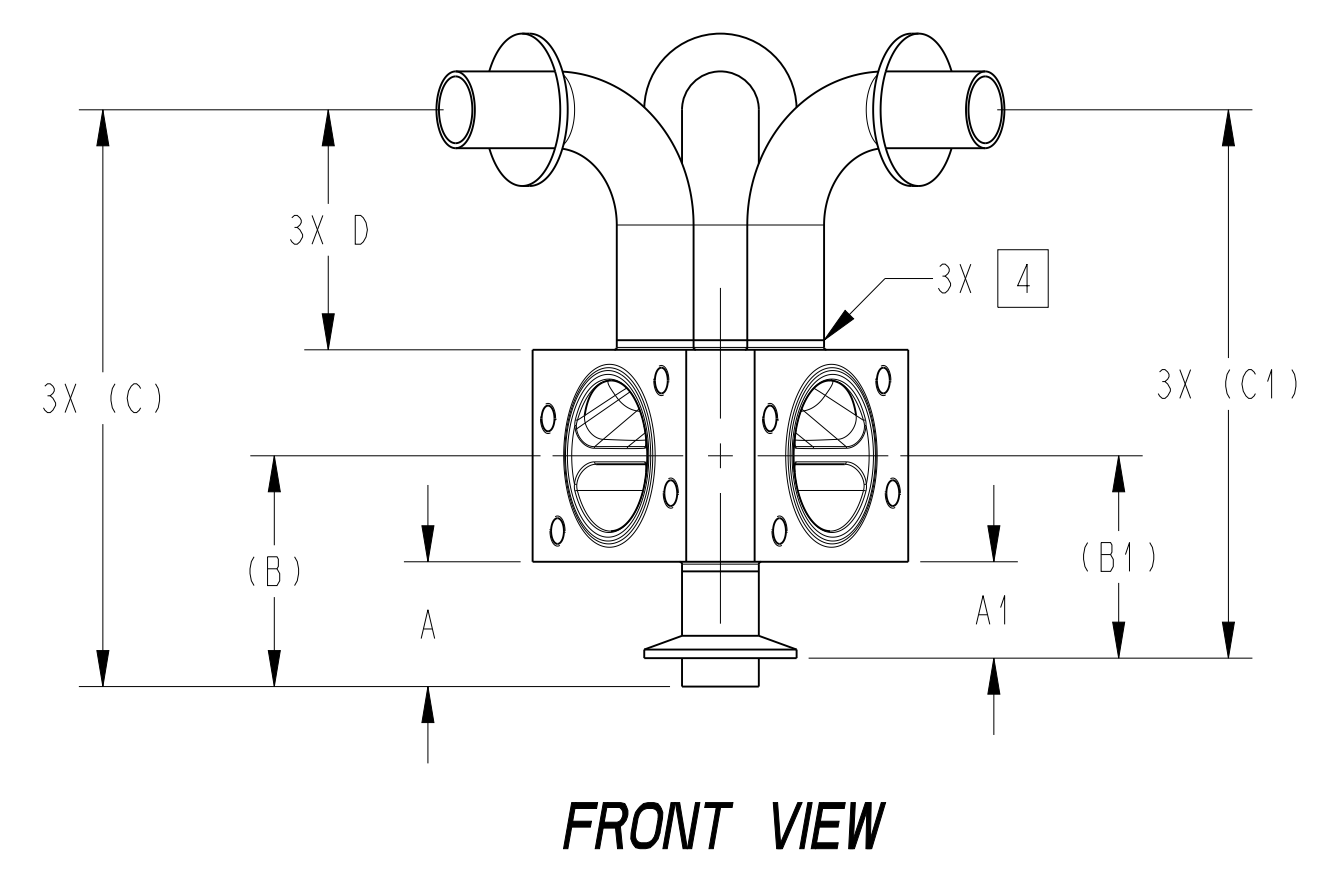
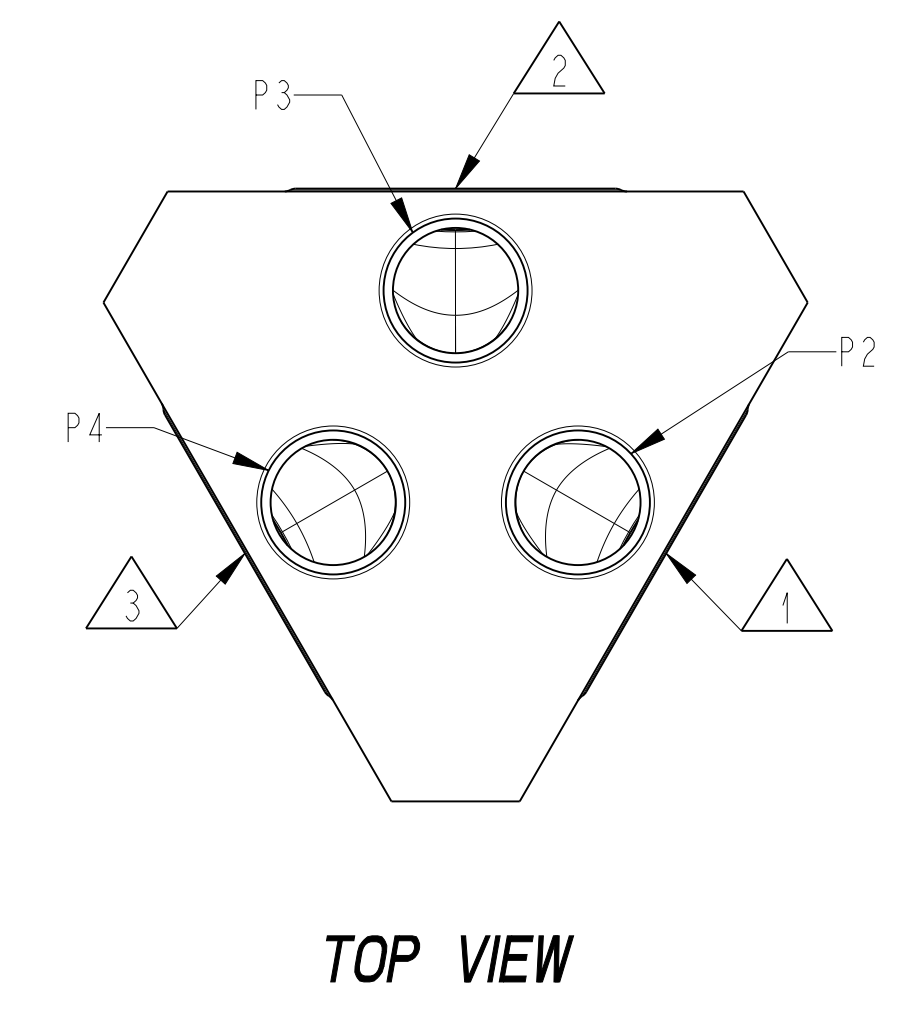
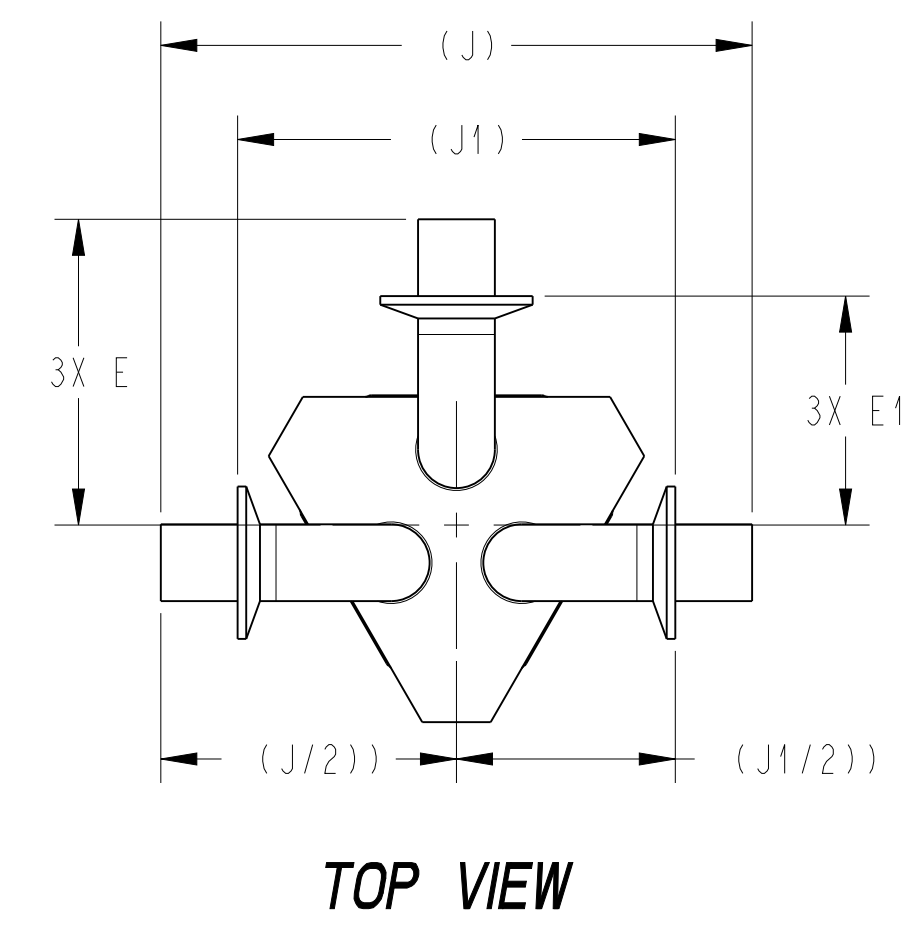
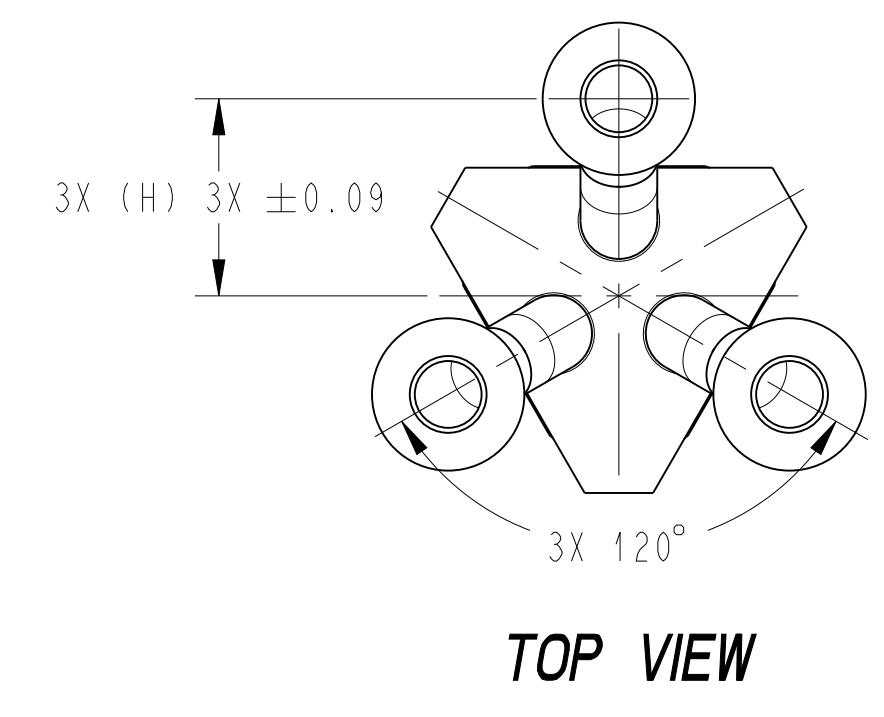
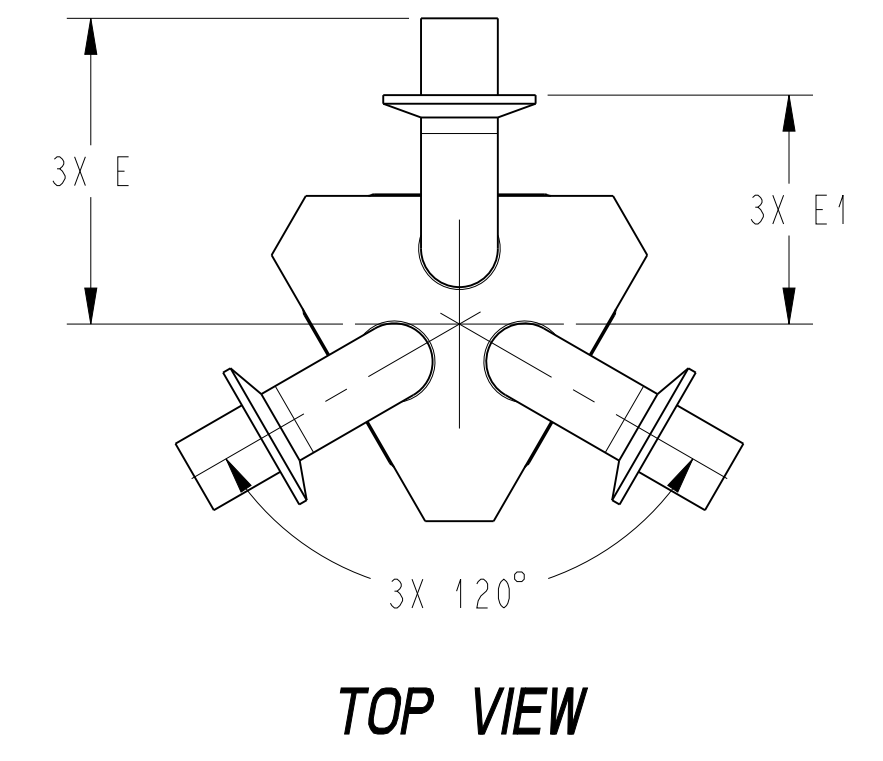
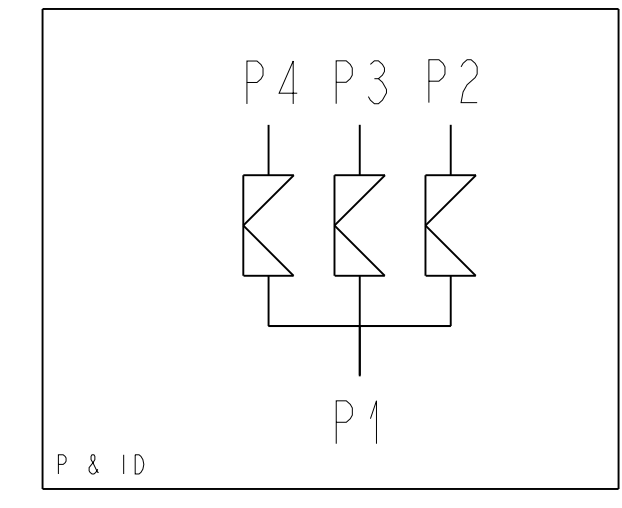
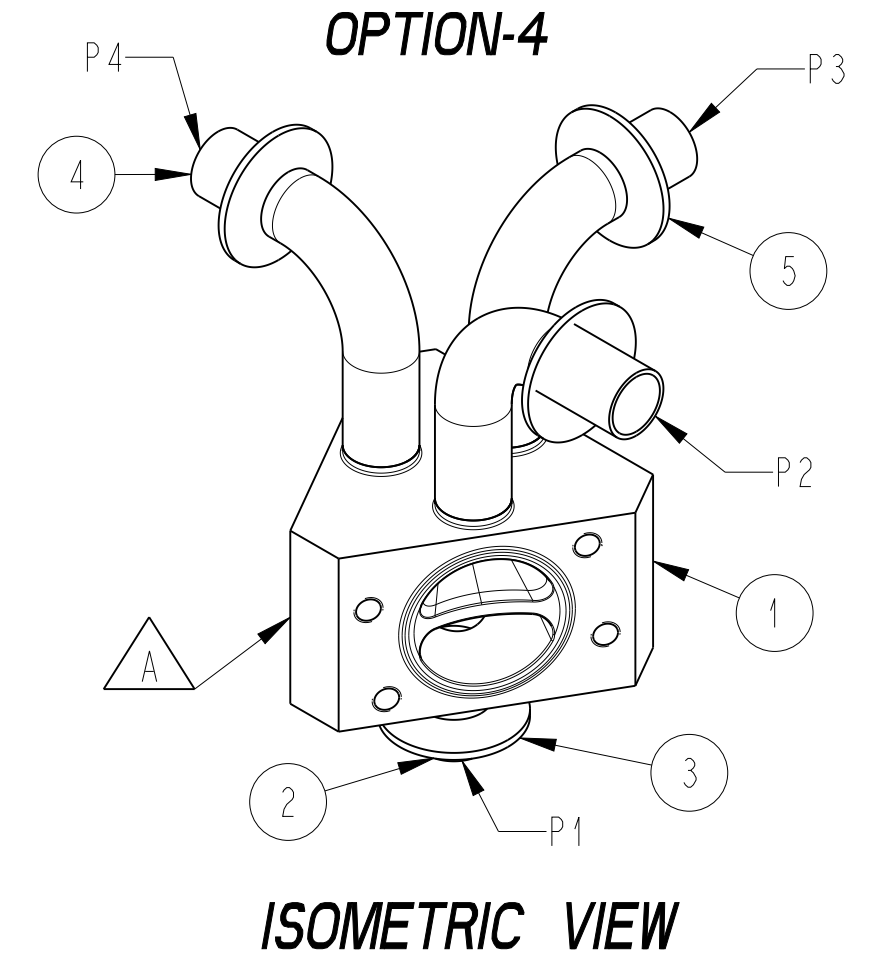
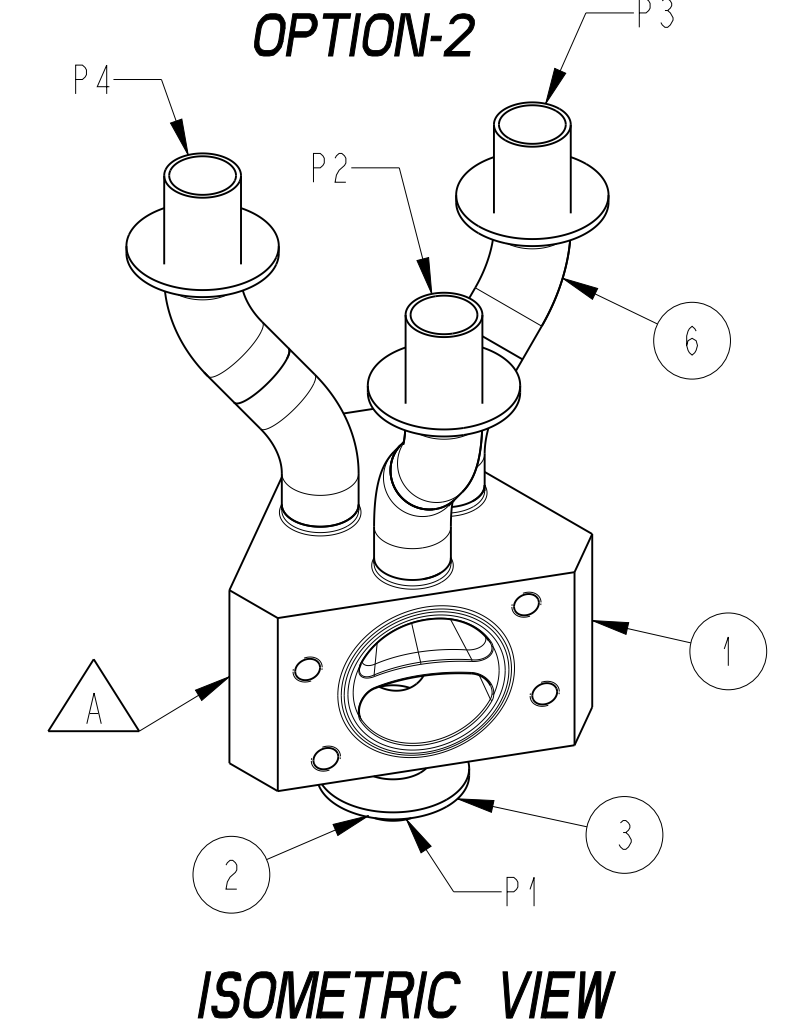
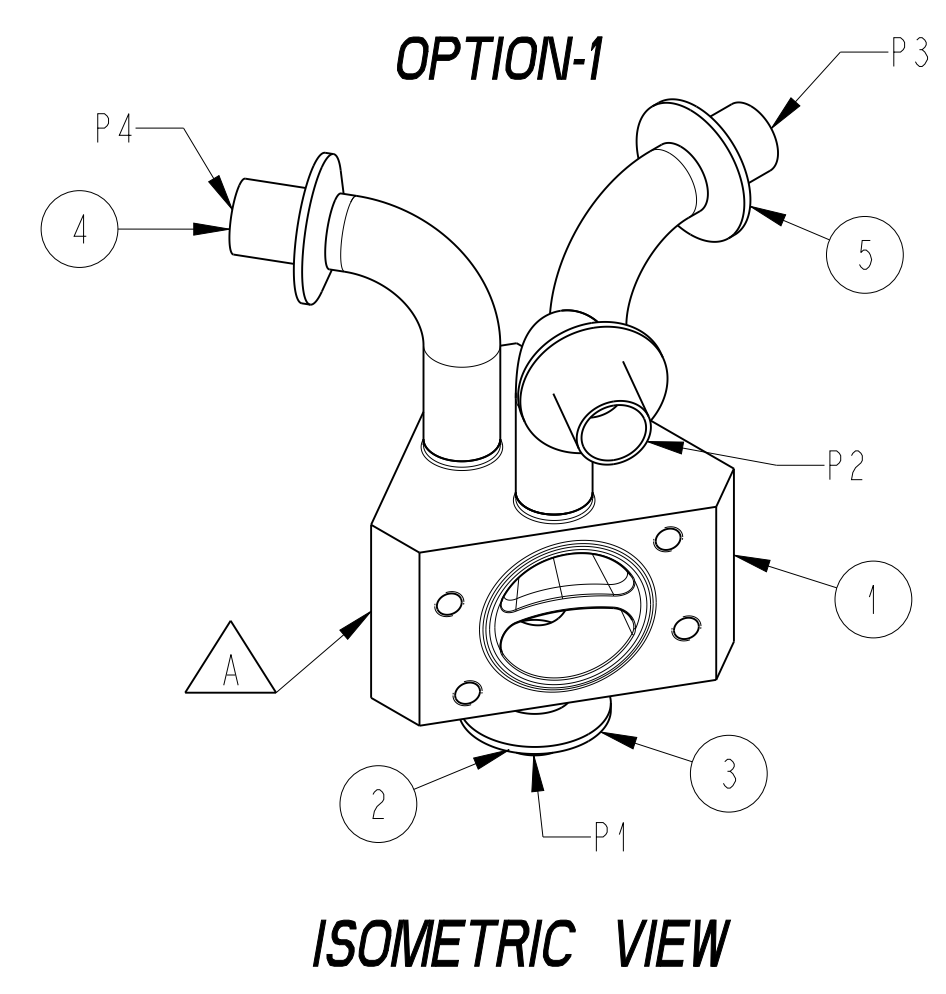


VALVE SIZE	A	A1	B	B1	C	C1	D	E	E1	F	F1	G	G1	H	J	J1
1/2" W2	(1.63) [41,3]	(1.26) [31,9]	(2.64) [67,1]	(2.27) [57,7]	(6.78) [172,2]	(6.41) [162,8]	(3.13) [79,4]	(3.58) [90,9]	(2.20) [55,9]	(7.76) [197,1]	(6.14) [155,9]	(4.10) [104,2]	(2.85) [72,5]	(1.59) [40,4]	(7.00) [177,8]	(4.25) [108,0]
3/4"R W2	(1.63) [41,3]	(1.26) [31,9]	(2.64) [67,1]	(2.27) [57,7]	(6.78) [172,2]	(6.41) [162,8]	(3.13) [79,4]	(3.78) [96,0]	(2.40) [61,1]	(8.36) [212,4]	(6.74) [171,3]	(4.71) [119,6]	(3.46) [87,8]	(2.15) [54,5]	(7.35) [186,7]	(4.60) [116,8]
3/4" W2	(1.63) [41,3]	(1.26) [31,9]	(3.01) [76,3]	(2.64) [66,9]	(7.51) [190,8]	(7.14) [181,4]	(3.13) [79,4]	(3.89) [98,9]	(2.52) [64,0]	(9.09) [230,9]	(7.47) [189,8]	(4.71) [119,6]	(3.46) [87,8]	(2.26) [57,4]	(7.55) [191,8]	(4.80) [121,9]
1" W2	(1.63) [41,3]	(1.26) [31,9]	(3.01) [76,3]	(2.64) [66,9]	(7.51) [190,8]	(7.14) [181,4]	(3.13) [79,4]	(3.98) [101,1]	(2.98) [75,7]	(9.47) [240,4]	(7.97) [202,5]	(5.08) [129,1]	(3.96) [100,5]	(2.57) [65,2]	(7.70) [195,6]	(5.70) [144,8]
1-1/2" W2	(1.63) [41,3]	(1.26) [31,9]	(3.58) [90,8]	(3.21) [81,4]	(9.40) [238,8]	(9.03) [229,4]	(3.88) [98,4]	(5.08) [129,0]	(4.08) [103,6]	(11.61) [294,8]	(10.18) [258,4]	(6.08) [154,5]	(5.02) [127,5]	(3.35) [85,2]	(9.80) [248,9]	(7.80) [198,1]
2" W2	(1.88) [47,6]	(1.26) [31,9]	(3.86) [97,9]	(3.24) [82,2]	(10.71) [272,0]	(10.09) [256,3]	(4.88) [123,8]	(6.48) [164,6]	(5.23) [132,9]	(13.17) [334,5]	(11.30) [287,0]	(7.33) [186,3]	(6.08) [154,5]	(4.20) [106,6]	(12.50) [317,5]	(10.00) [254,0]

TAG NUMBERS			
VALVE ASSY	FIRST VALVE	SECOND VALVE	THIRD VALVE
1			

LIST OF MAJOR COMPONENTS	
ITEM	DESCRIPTION
1	1-1/2" X 1" 3DV W2 BODY, (123796)
2	TUBE
3	FERRULE TRI-CLAMP BW
4	ELBOW 90 DEG BPE
5	ELBOW 90 DEG BPE W/ TC
6	ELBOW FABRICATION (123408)



- NOTES:
- "P" NUMBERS INDICATE PORT CONNECTIONS.
  - TUBE ENDS MEET OR EXCEED THE FOLLOWING LENGTHS  
1/2" - 1-1/2" = 1-1/2", 2" = 1-3/4"
  - VALVE MUST BE INSTALLED WITH P1 VERTICALLY (UP OR DOWN) FOR OPTIMAL DRAINABILITY.
  - WELD WILL BE LEFT IN AS WELDED CONDITION.
  - SEE DRAWING 123408 FOR OPTION-2 ELBOW FABRICATION.

PURE-FLO ORDER: \_\_\_\_\_ ITEM: \_\_\_\_\_  
 CUSTOMER: \_\_\_\_\_  
 CUSTOMER PO: \_\_\_\_\_  
 OTHER INFO: \_\_\_\_\_

THIS DOCUMENT IS THE SOLE PROPERTY OF ITT CORPORATION, OR ITS SUBSIDIARY, AND IS PROVIDED SUBJECT TO RETURN. IT IS ISSUED IN STRICT CONFIDENCE AND SHALL NOT BE REPRODUCED, OR COPIED, OR DISCLOSED IN WHOLE OR IN PART, OR USED AS THE BASIS FOR THE MANUFACTURE OR SALES OF APPARATUS OR PARTS TO WHICH THE DOCUMENT RELATES, WITHOUT THE EXPRESS WRITTEN CONSENT OF ITT CORPORATION, OR ITS SUBSIDIARY. THIS LEGEND SHALL BE MARKED ON ANY REPRODUCTION HEREOF, IN WHOLE OR IN PART. ALL RIGHTS TO THE INFORMATION AND DESIGN DISCLOSED HEREIN ARE RESERVED TO ITT CORPORATION, OR ITS SUBSIDIARY.

THIRD ANGLE PROJECTION	UNLESS OTHERWISE NOTED	DATE	BY
	INCH	DWN 03/11/20	KP
	MM	CHKD 03/11/20	TJS
UNLESS OTHERWISE SPECIFIED, ALL DIMENSIONS ARE IN INCHES (MM)		APVD 03/11/20	MMA

3-WAY DIVERT W2 ASSY.  
 OPTIONS 1, 2 & 4

		Pure-Flo www.ittpureflo.com	
D	A30466	SHEET 1 OF 2	REV A
MASTER DWG: A30466/A	ECN# 16889	ISSUE BY:	CERT BY:

