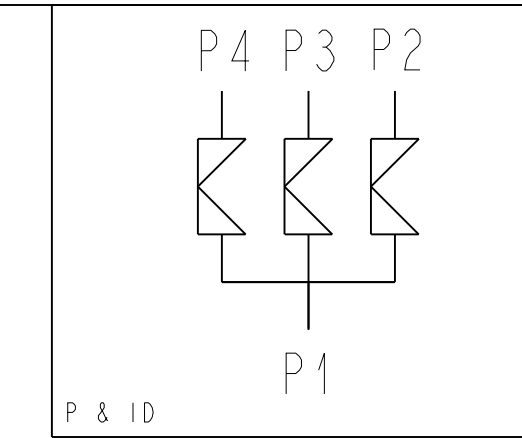
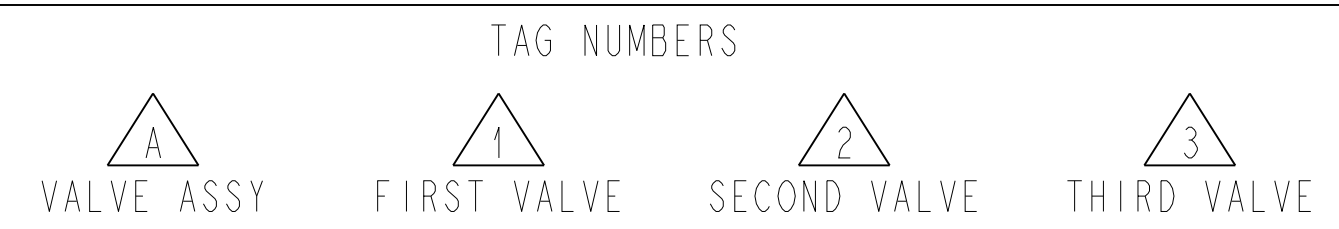
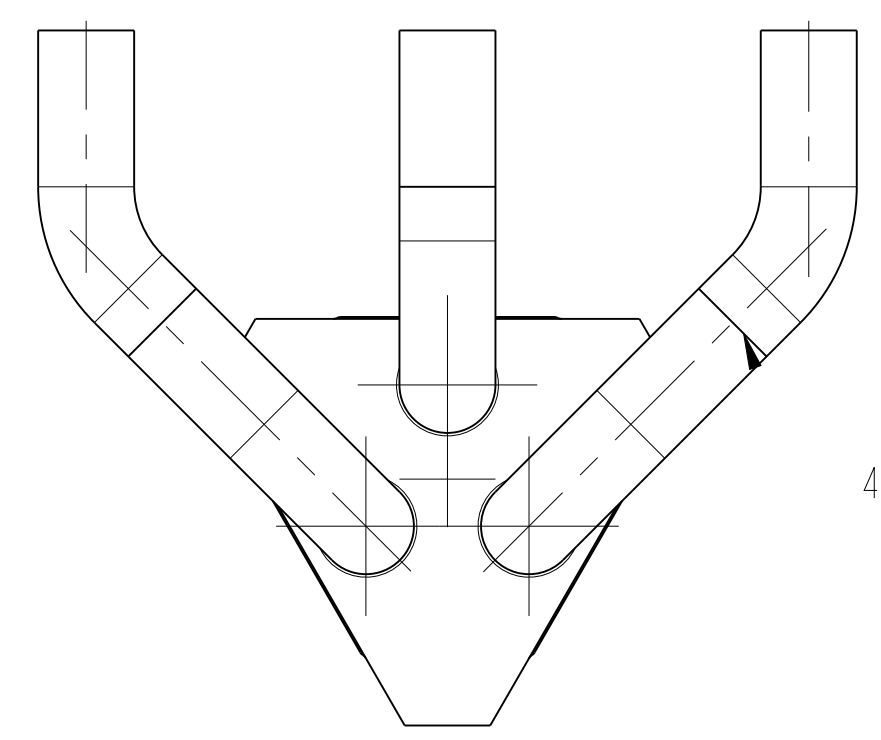


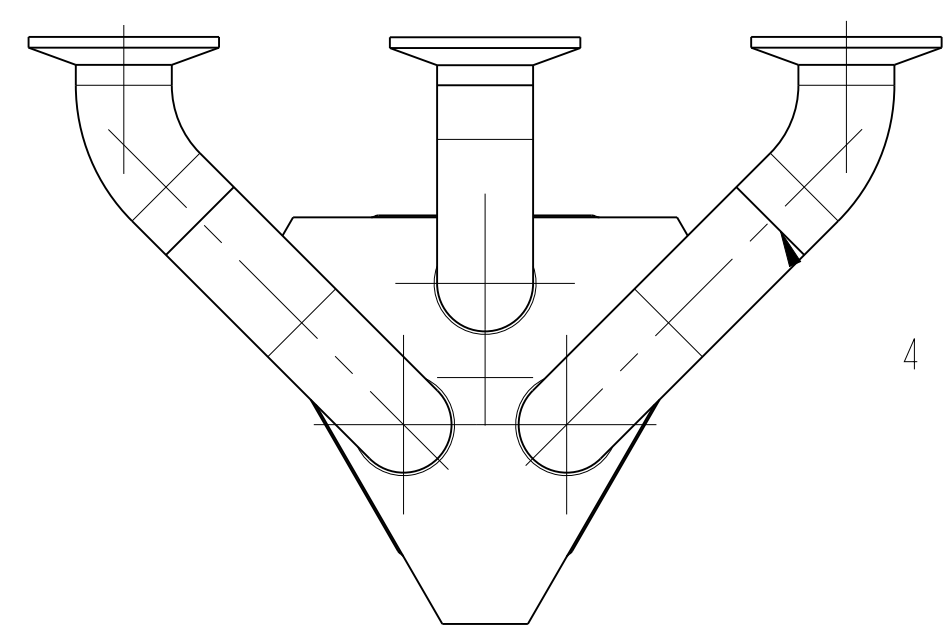
VALVE SIZE	A	A1	B	B1	C	C1	D	E	F	F1
1/2" W2	1.63 [41,3]	1.26 [31,9]	(2.64) [67,1]	(2.27) [57,7]	(6.78) [172,2]	(6.41) [162,8]	3.13 [79,4]	(6.26) [158,9]	4.59 [116,6]	3.34 [84,8]
3/4" W2	1.63 [41,3]	1.26 [31,9]	(3.01) [76,3]	(2.64) [66,9]	(7.51) [190,8]	(7.14) [181,4]	3.13 [79,4]	(7.16) [181,8]	4.61 [117,0]	3.36 [85,3]
1" W2	1.63 [41,3]	1.26 [31,9]	(3.01) [76,3]	(2.64) [66,9]	(7.51) [190,8]	(7.14) [181,4]	3.13 [79,4]	(7.53) [191,2]	4.67 [118,7]	3.55 [90,1]
1-1/2" W2	1.63 [41,3]	1.26 [31,9]	(3.58) [90,8]	(3.21) [81,4]	(9.40) [238,8]	(9.03) [229,4]	3.88 [98,4]	(9.63) [244,6]	5.50 [139,7]	4.44 [112,7]
2" W2	1.88 [47,6]	1.26 [31,9]	(3.86) [97,9]	(3.24) [82,2]	(10.71) [272,0]	(10.09) [256,3]	4.88 [123,8]	(12.18) [309,4]	6.73 [170,8]	5.48 [139,1]



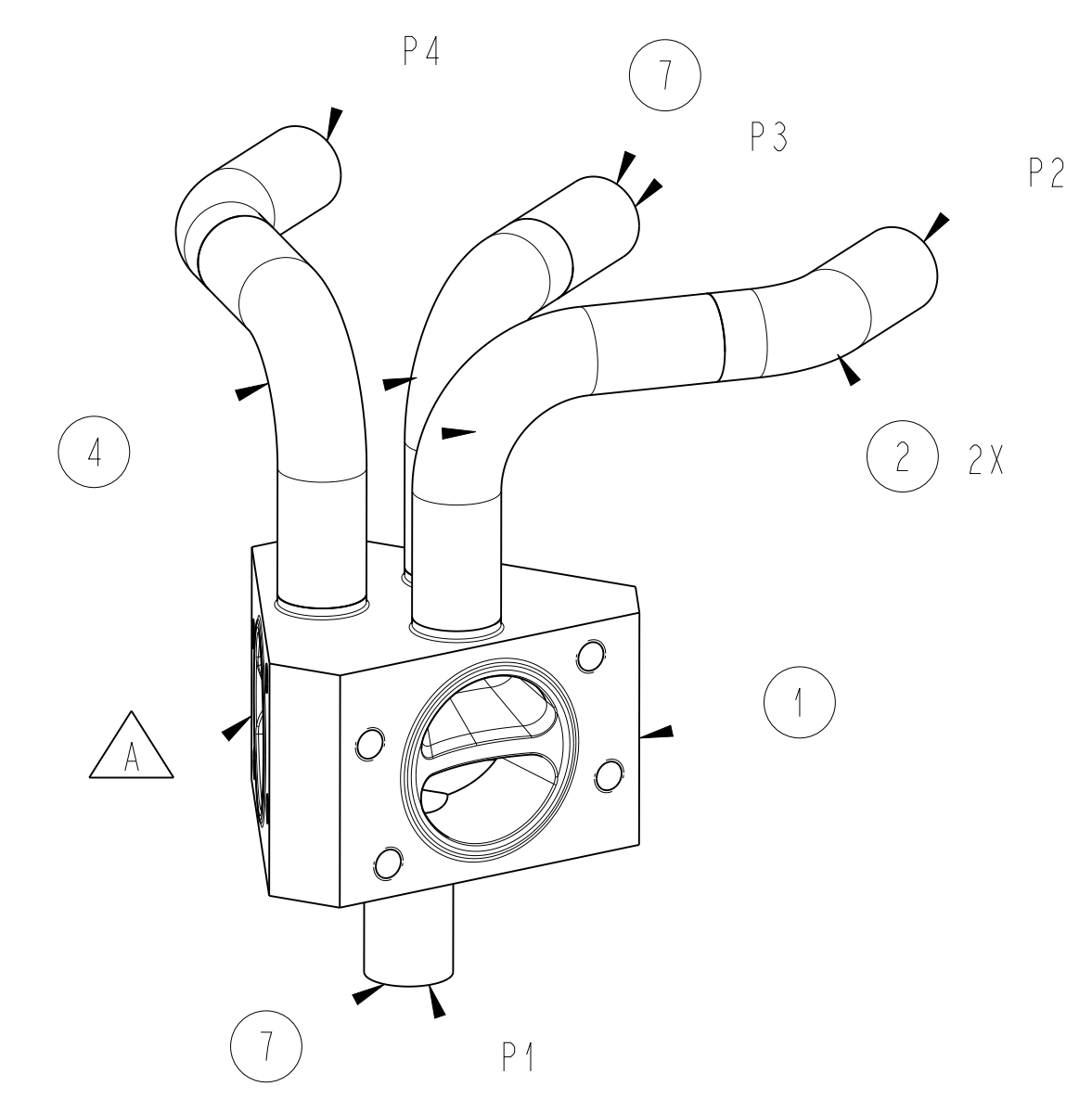
- NOTES:
- "P" NUMBERS INDICATE PORT CONNECTIONS.
 - TUBE ENDS MEET OR EXCEED THE FOLLOWING LENGTHS
1/2" - 1-1/2" = 1-1/2", 2" = 1-3/4"
 - VALVE MUST BE INSTALLED WITH P1 VERTICALLY (UP OR DOWN) FOR OPTIMAL DRAINABILITY.
 - ALL ELBOW WELD WILL BE IN AS WELDED CONDITION, EXCEPT WHERE CONNECTED TO FERRULE.



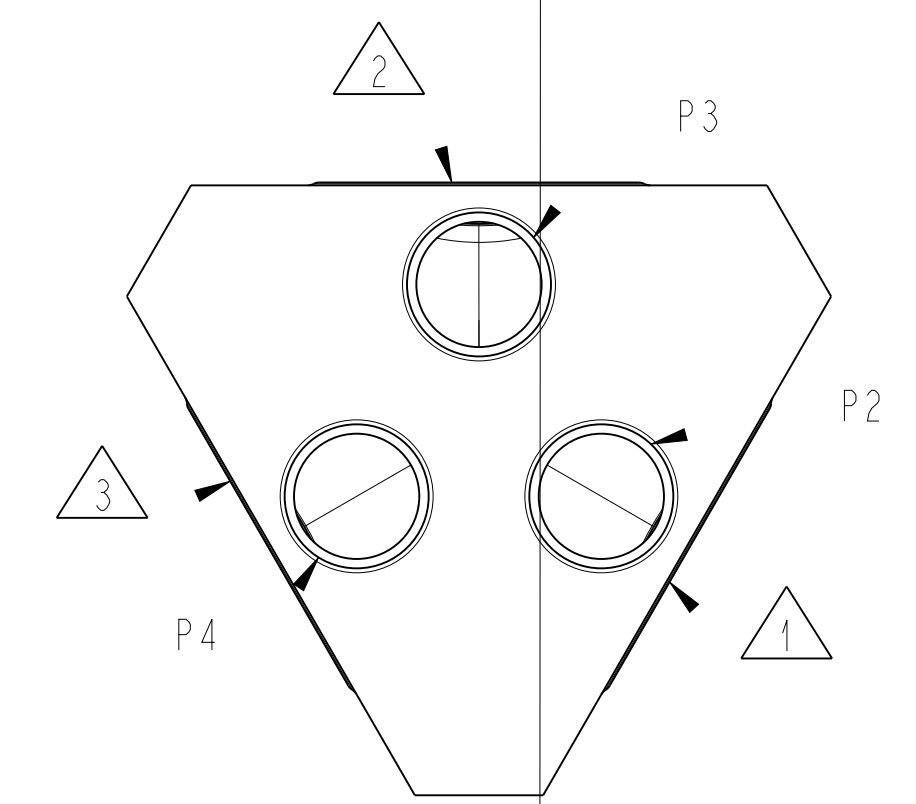
TOP VIEW



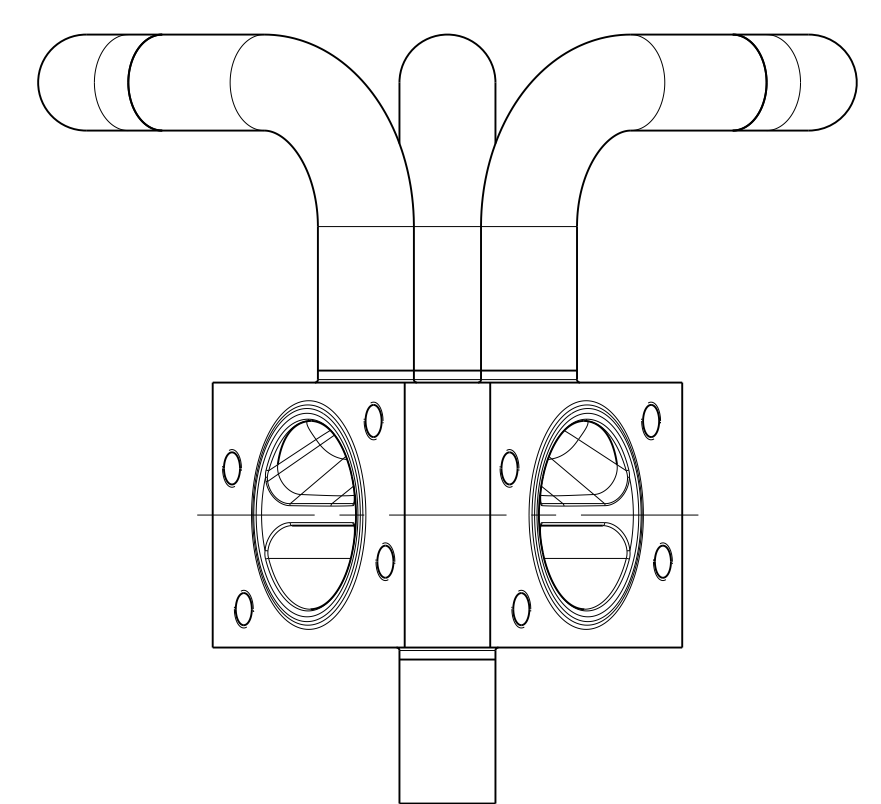
TOP VIEW



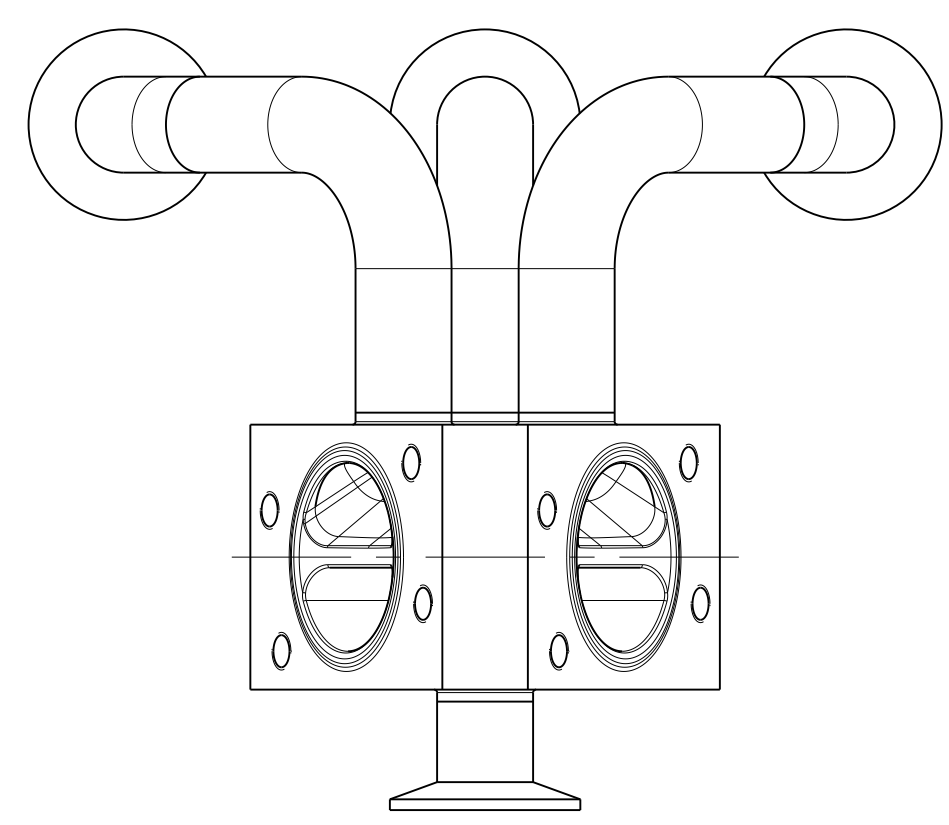
ISOMETRIC VIEW



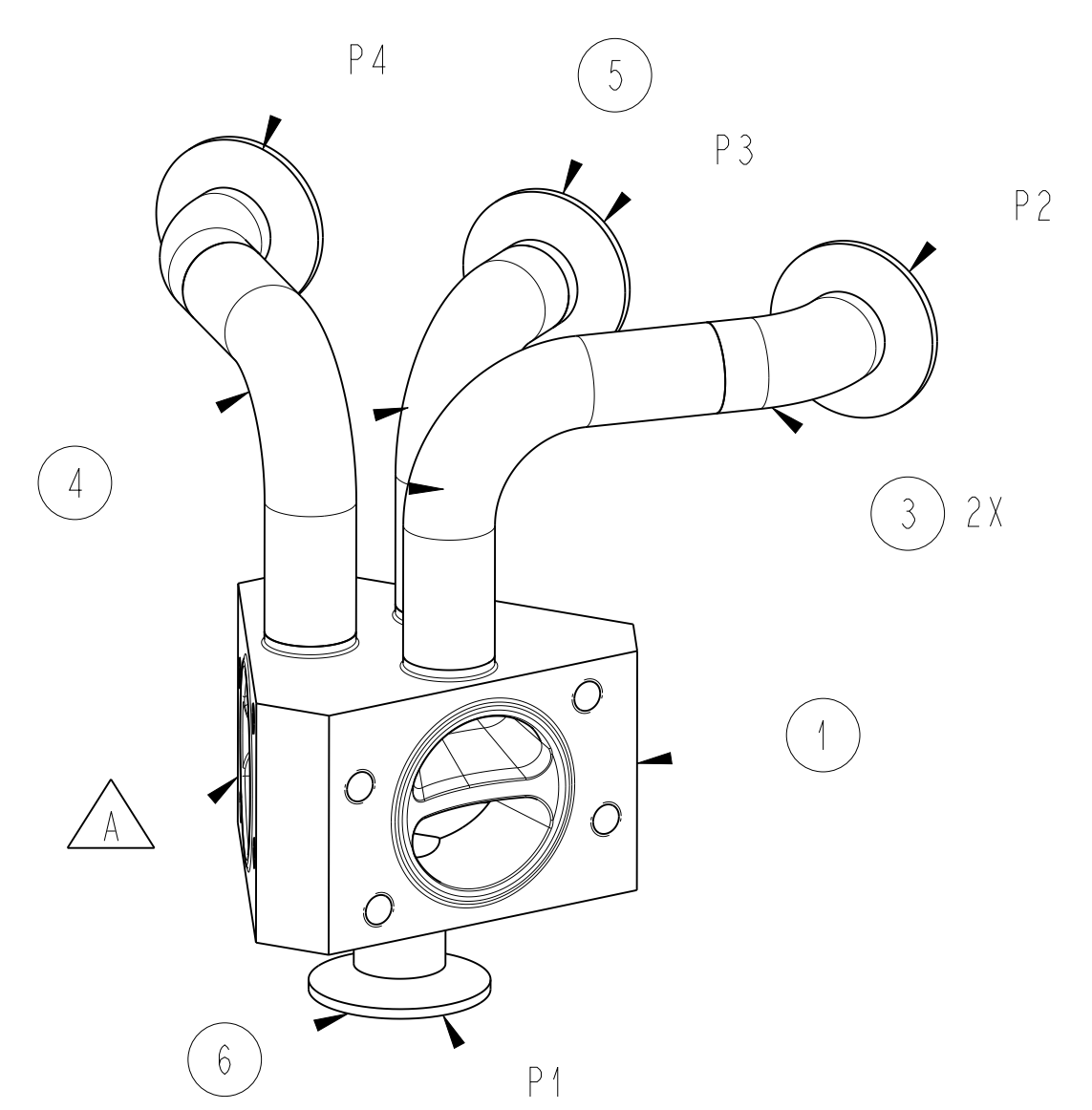
TOP VIEW



FRONT VIEW



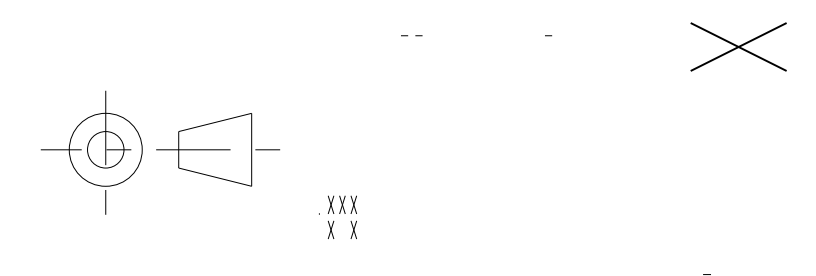
FRONT VIEW



ISOMETRIC VIEW

U --- V ---
5 ---

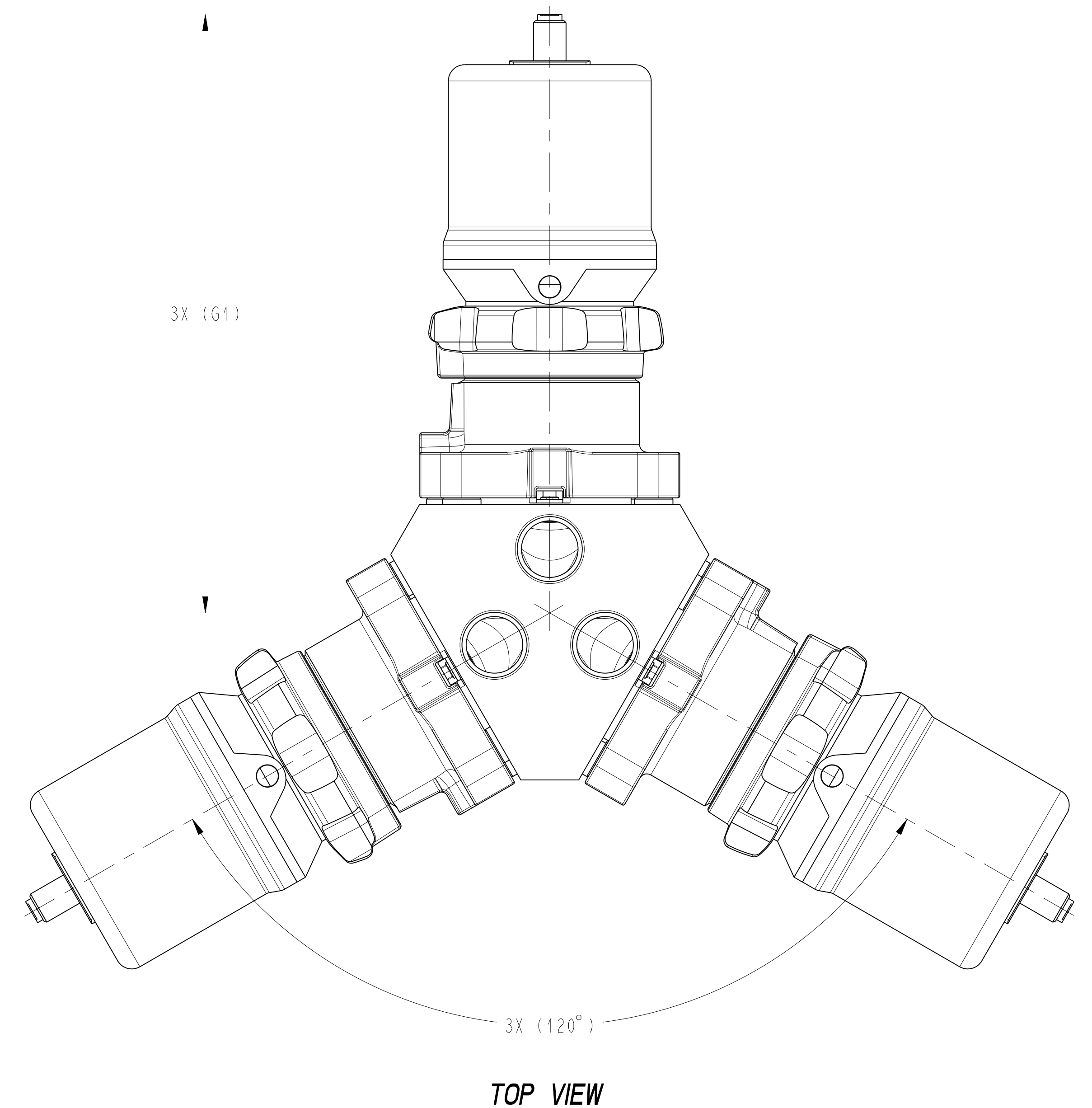
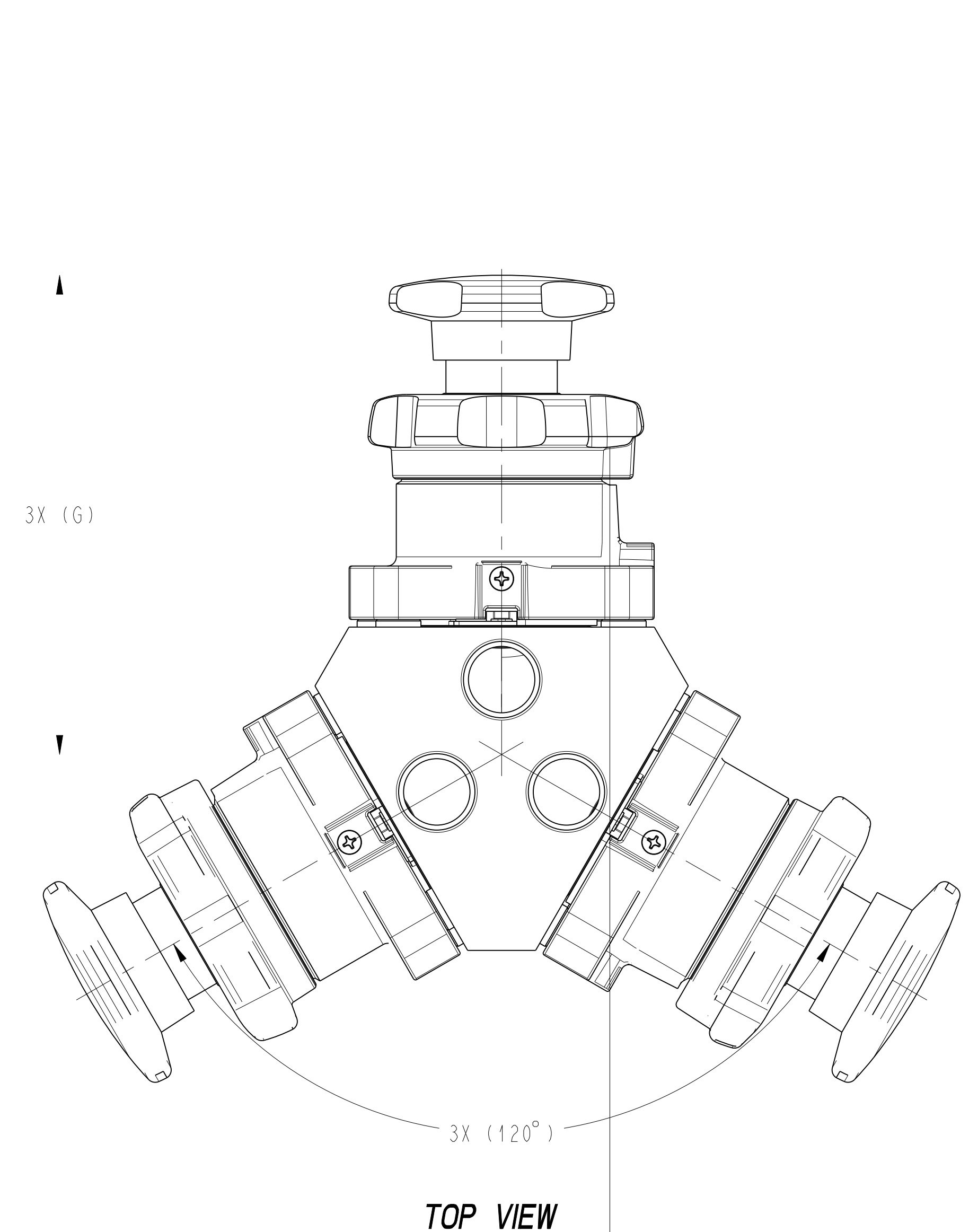
THIS DOCUMENT IS THE SOLE PROPERTY OF ITT CORPORATION, OR ITS SUBSIDIARY, AND IS PROVIDED SUBJECT TO RETURN. IT IS ISSUED IN STRICT CONFIDENCE AND SHALL NOT BE REPRODUCED, OR COPIED, OR DISCLOSED IN WHOLE OR IN PART, OR USED AS THE BASIS FOR THE MANUFACTURE OR SALES OF APPARATUS OR PARTS TO WHICH THE DOCUMENT RELATES, WITHOUT THE EXPRESS WRITTEN CONSENT OF ITT CORPORATION, OR ITS SUBSIDIARY. THIS LEGEND SHALL BE MARKED ON ANY REPRODUCTION HEREOF, IN WHOLE OR IN PART. ALL RIGHTS TO THE INFORMATION AND DESIGN DISCLOSED HEREIN ARE RESERVED TO ITT CORPORATION, OR ITS SUBSIDIARY.



3-WAY DIVERT W2 ASSY. OPTION-3	
MASTER DWG:	A30495/A ECN# 18436

TT

VALVE SIZE	G	G1
1/2" W2	(4.50) [114,3]	(7.03) [178,4]
3/4" W2	(6.03) [153,3]	(8.95) [227,4]
1" W2	(6.28) [159,5]	(9.20) [233,6]
1-1/2" W2	(8.44) [214,3]	(13.43) [341,1]
2" W2	(9.52) [241,9]	(14.51) [368,6]



PURE-FLO ORDER: _____ ITEM: _____
 CUSTOMER: _____
 CUSTOMER PO: _____
 OTHER INFO: _____

THIS DOCUMENT IS THE SOLE PROPERTY OF ITT CORPORATION, OR ITS SUBSIDIARY, AND IS PROVIDED SUBJECT TO RETURN. IT IS ISSUED IN STRICT CONFIDENCE AND SHALL NOT BE REPRODUCED, OR COPIED, OR DISCLOSED IN WHOLE OR IN PART, OR USED AS THE BASIS FOR THE MANUFACTURE OR SALES OF APPARATUS OR PARTS TO WHICH THE DOCUMENT RELATES, WITHOUT THE EXPRESS WRITTEN CONSENT OF ITT CORPORATION, OR ITS SUBSIDIARY. THIS LEGEND SHALL BE MARKED ON ANY REPRODUCTION HEREOF, IN WHOLE OR IN PART. ALL RIGHTS TO THE INFORMATION AND DESIGN DISCLOSED HEREIN ARE RESERVED TO ITT CORPORATION, OR ITS SUBSIDIARY.

THIRD ANGLE PROJECTION	UNLESS OTHERWISE NOTED																														
	INCH																														
UNLESS OTHERWISE SPECIFIED, ALL DIMENSIONS ARE IN INCHES [MM]	MM																														
	<table border="1"> <tr> <td>X</td><td>±</td><td>0.06</td> <td>X</td><td>±</td><td>1.5</td> </tr> <tr> <td>.XX</td><td>±</td><td>0.06</td> <td>.XX</td><td>±</td><td>1.5</td> </tr> <tr> <td>.XXX</td><td>±</td><td>0.02</td> <td>.XX</td><td>±</td><td>1.5</td> </tr> <tr> <td>X/XX</td><td>±</td><td>1/16</td> <td>X</td><td>±</td><td>1°</td> </tr> <tr> <td>X°</td><td>±</td><td>1°</td> <td>X°</td><td>±</td><td>1°</td> </tr> </table>	X	±	0.06	X	±	1.5	.XX	±	0.06	.XX	±	1.5	.XXX	±	0.02	.XX	±	1.5	X/XX	±	1/16	X	±	1°	X°	±	1°	X°	±	1°
X	±	0.06	X	±	1.5																										
.XX	±	0.06	.XX	±	1.5																										
.XXX	±	0.02	.XX	±	1.5																										
X/XX	±	1/16	X	±	1°																										
X°	±	1°	X°	±	1°																										

DATE	BY	DESCRIPTION
07/08/21	LFV	3-WAY DIVERT W2 ASSY. OPTION-3
07/08/21	KRP	-
07/08/21	TJS	-

MASTER DWG: A30495/A ECN# 18436

		www.ittpureflo.com	
		SHEET 2 OF 3	REV A
D	A30495	ISSUE BY: -	CERT BY: -