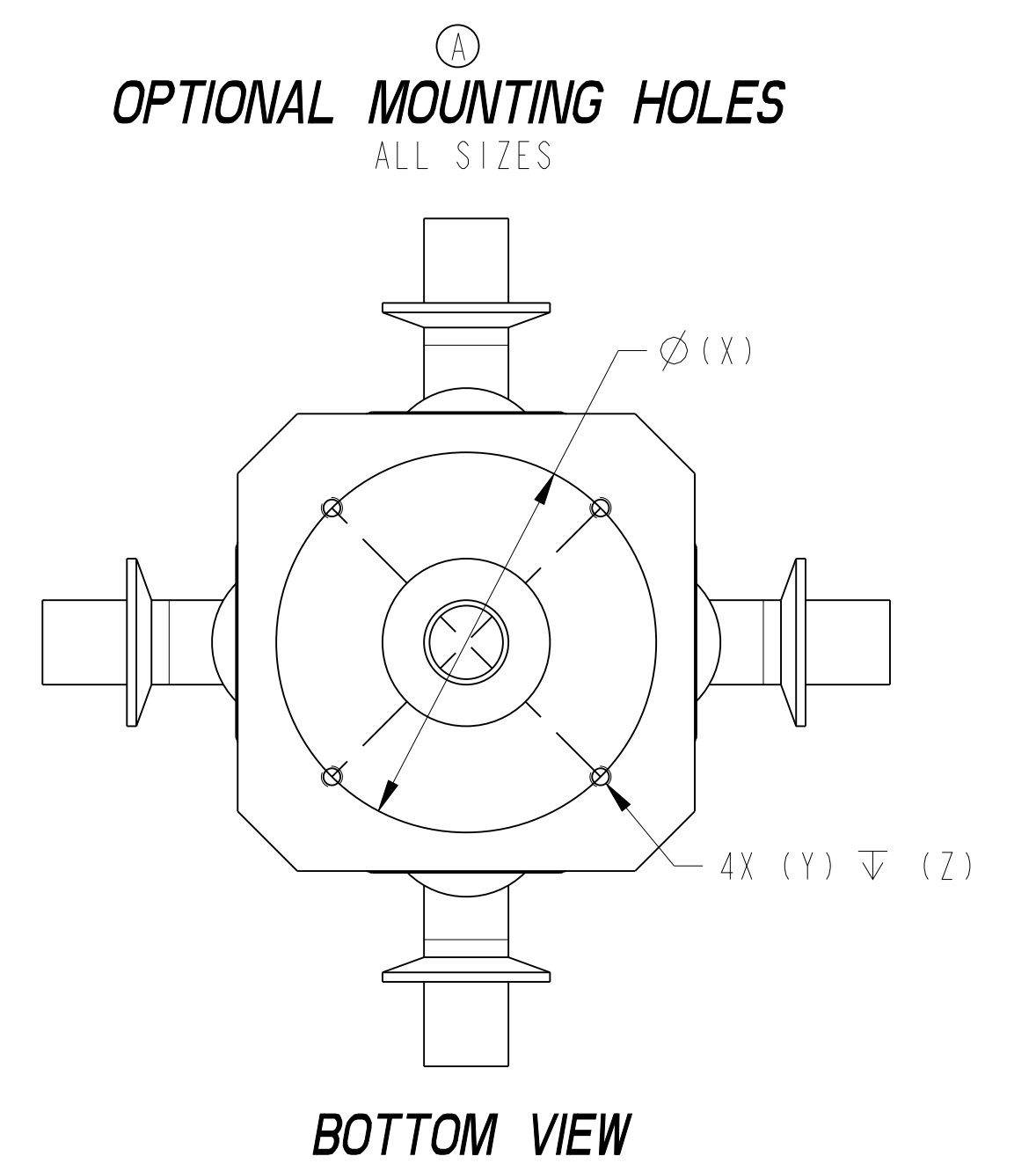
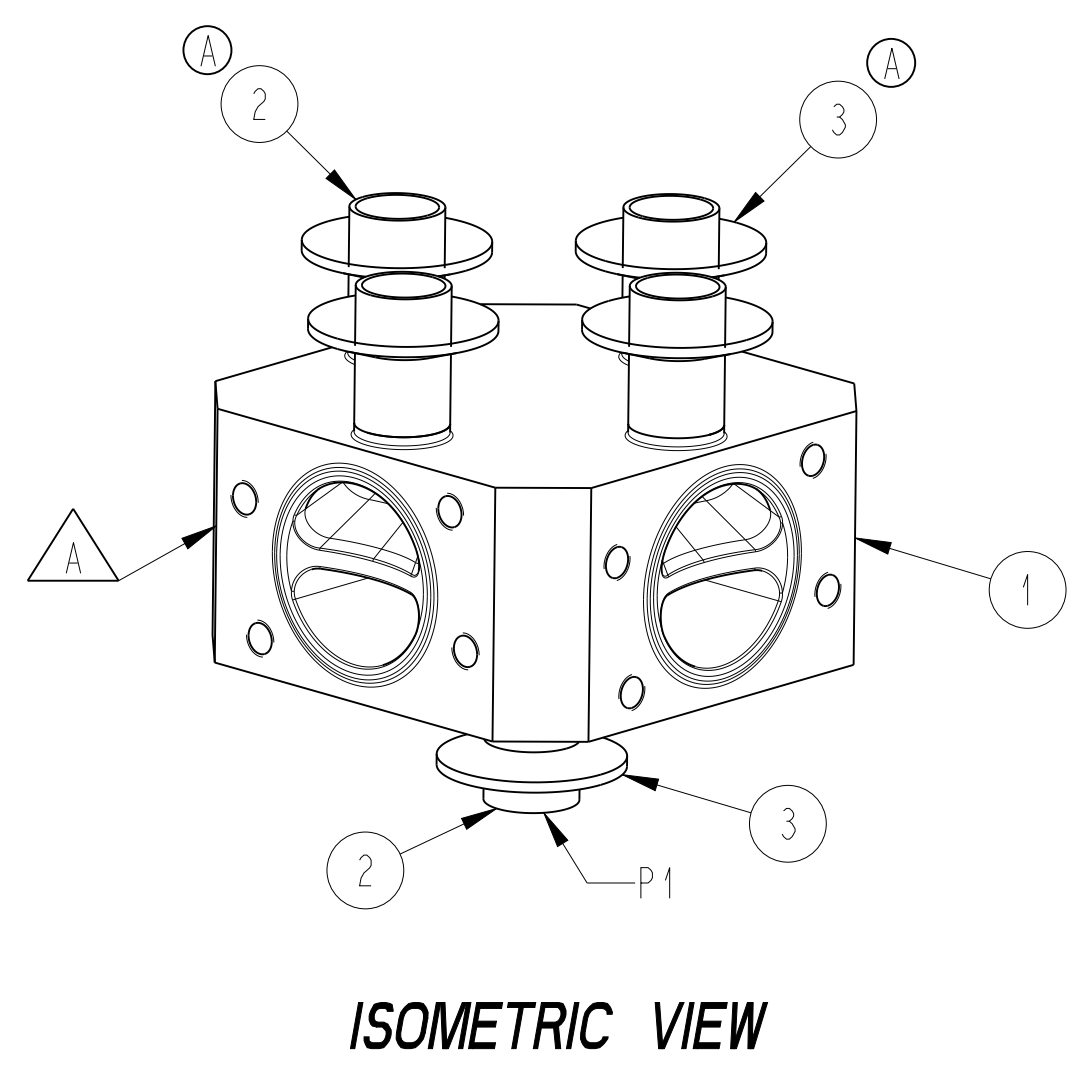
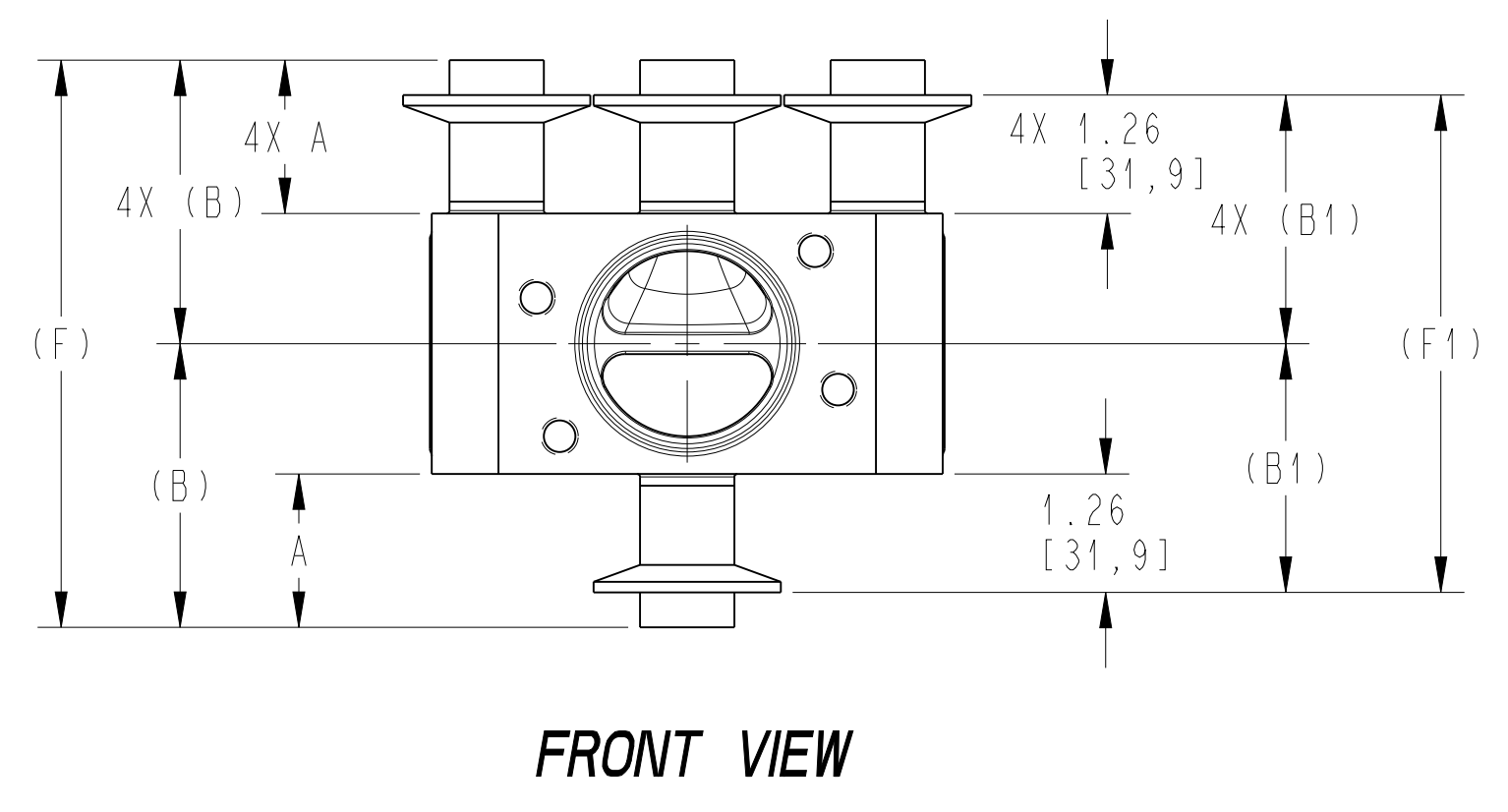
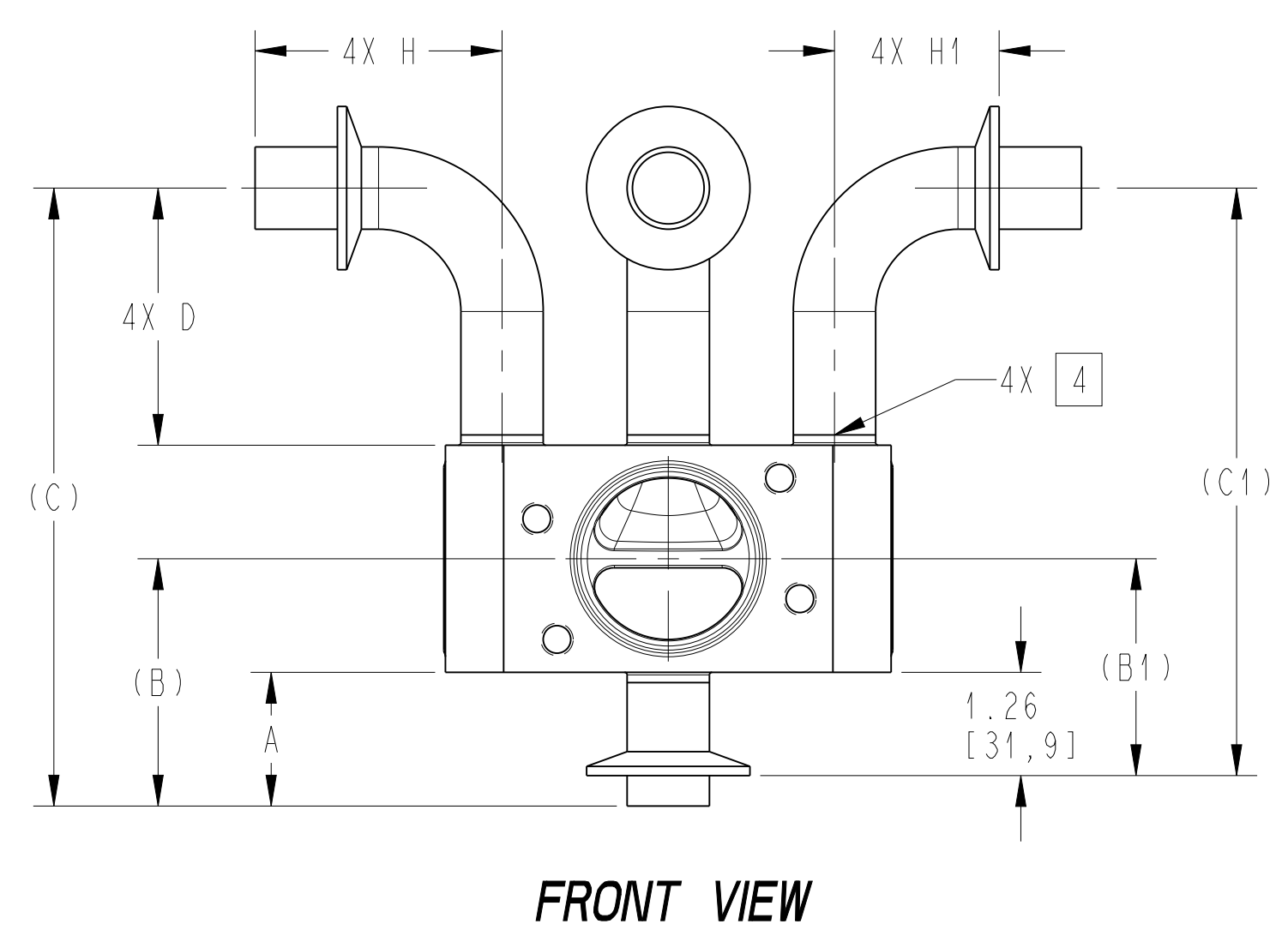
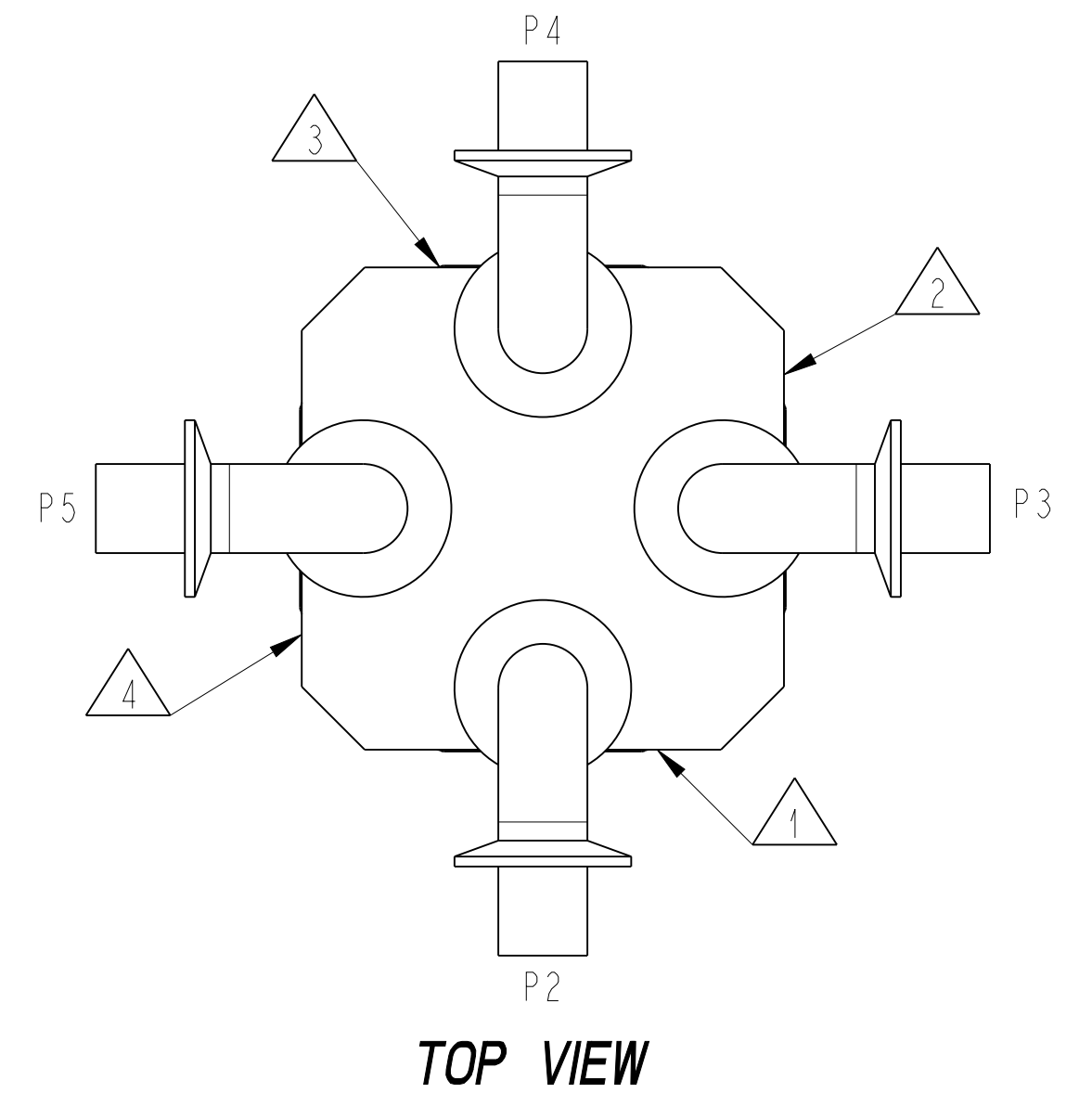
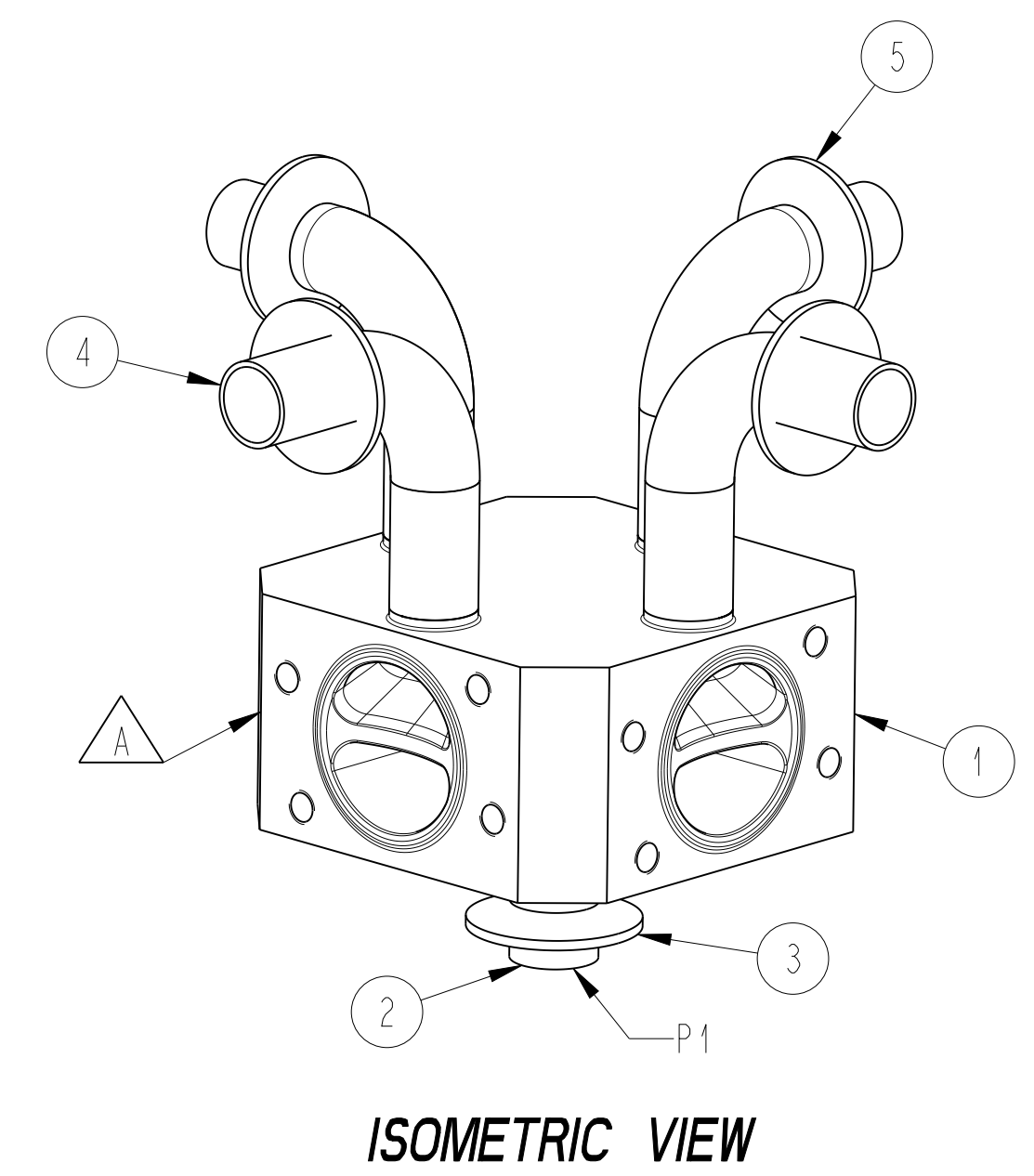
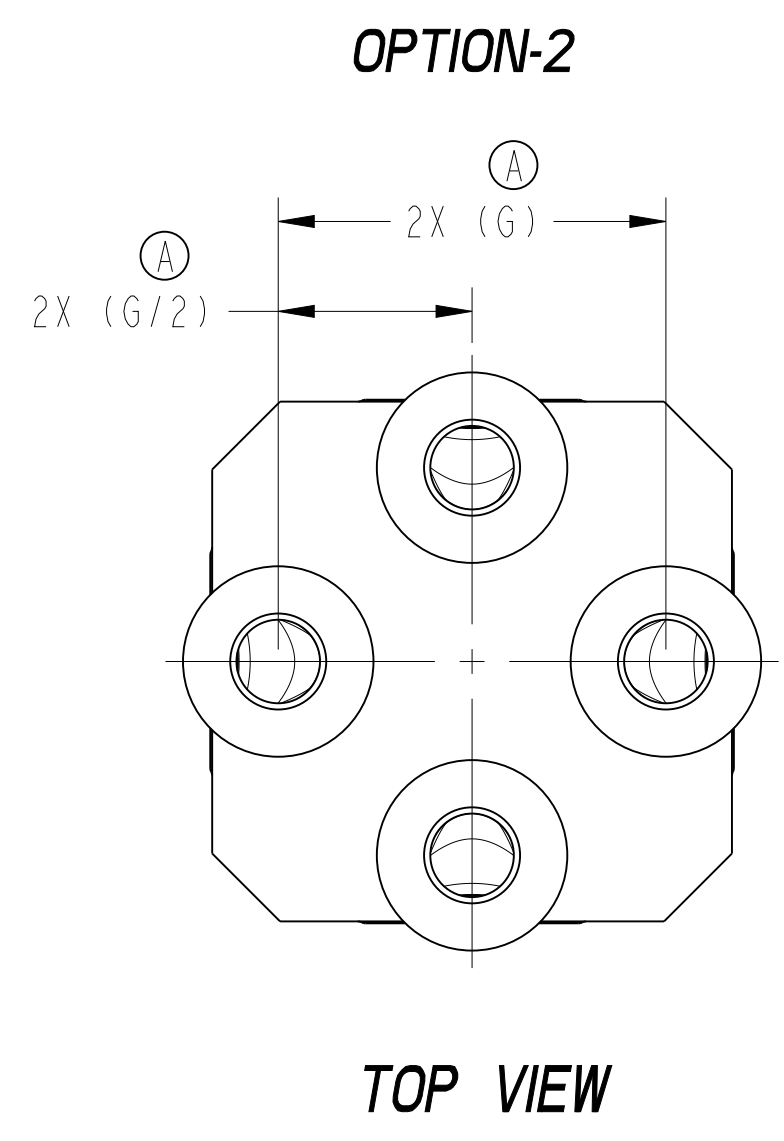
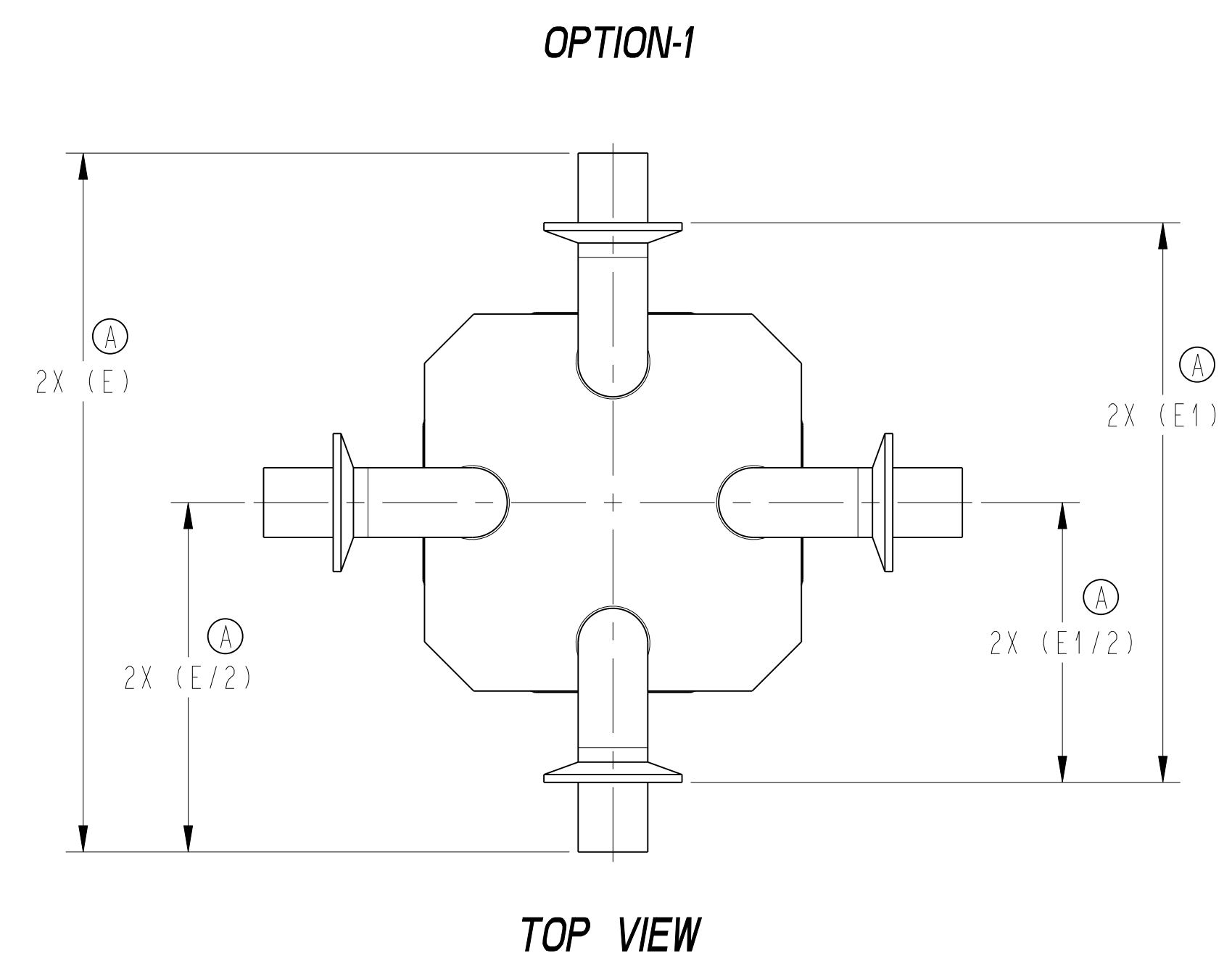
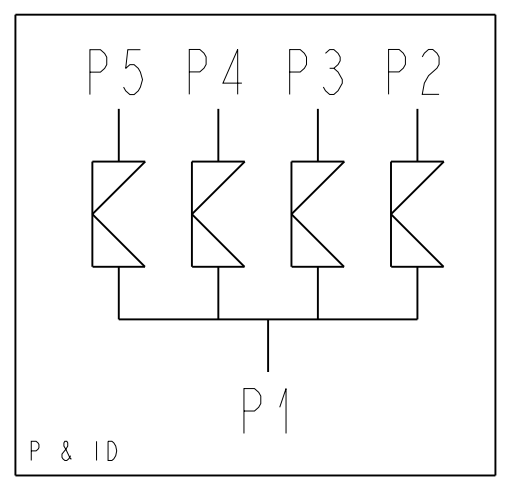


VALVE CONSTRUCTION														OPTIONAL MOUNTING HOLES			
VALVE SIZE	A	(B)	(B1)	(C)	(C1)	D	(E)	(E1)	(F)	(F1)	(G)	H	H1	L/D	(X)	(Y)	(Z)
1/2"		(2.64) [67,1]	(2.27) [57,7]	(6.78) [172,2]	(6.41) [162,8]		(9.26) [235,3]	(6.51) [165,5]	(5.28) [134,1]	(4.54) [115,3]	(3.26) [82,9]			2.9	(Ø3.20) [81,3]		
3/4"R							(9.38) [238,2]	(6.63) [168,4]			(3.38) [85,8]		1.63 [41,3]	2.2	(Ø3.40) [86,4]		
3/4"	1.63 [41,3]	(3.01) [76,3]	(2.64) [66,9]	(7.51) [190,8]	(7.14) [181,4]	(3.13) [79,4]	(9.43) [239,6]	(6.68) [169,8]	(6.01) [152,7]	(5.27) [133,9]	(3.43) [87,2]	3.00 [76,2]		-	(Ø3.75) [95,3]	1/4-20 UNC-2B	0.50
1"							(10.04) [255,0]	(8.04) [204,2]			(4.04) [102,6]		2.00 [50,8]	-	(Ø4.50) [114,3]		
1-1/2"		(3.58) [90,8]	(3.21) [81,4]	(9.40) [238,8]	(9.03) [229,4]	(3.88) [98,4]	(11.60) [294,6]	(9.60) [243,8]	(7.15) [181,6]	(6.41) [162,8]	(4.10) [104,1]	3.75 [95,3]	2.75 [69,9]	-	(Ø5.50) [139,7]		
2"	1.88 [47,6]	(3.86) [97,9]	(3.24) [82,2]	(10.71) [272,0]	(10.09) [256,3]	(4.88) [123,8]	(15.36) [390,3]	(12.86) [326,8]	(7.71) [195,8]	(6.47) [164,3]	(5.86) [149,0]	4.75 [120,7]	3.50 [88,9]	-	(Ø7.00) [177,8]	3/8-16 UNC-2B	0.75

TAG NUMBERS				
△A	△1	△2	△3	△4
VALVE ASSY	FIRST VALVE	SECOND VALVE	THIRD VALVE	FOURTH VALVE
1				

LIST OF MAJOR COMPONENTS	
ITEM	DESCRIPTION
1	4DV W2 BODY, (123828)
2	TUBE
3	FERRULE TRI-CLAMP BW
4	ELBOW 90 DEG BPE
5	ELBOW 90 DEG BPE W/ TC

- NOTES:
- "P" NUMBERS INDICATE PORT CONNECTIONS.
 - TUBE ENDS MEET OR EXCEED THE FOLLOWING LENGTHS
1/2" - 1-1/2" = 1-1/2", 2" = 1-3/4"
 - VALVE MUST BE INSTALLED WITH P1 VERTICALLY (UP OR DOWN) FOR OPTIMAL DRAINABILITY.
 - WELD WILL BE LEFT IN AS WELDED CONDITION.
 - ALL INSTANCES MARKED AS "-" MEET L/D OR LESS



PURE-FLO ORDER: - ITEM: -
 CUSTOMER: -
 CUSTOMER PO: -
 OTHER INFO: -

THIS DOCUMENT IS THE SOLE PROPERTY OF ITT CORPORATION, OR ITS SUBSIDIARY, AND IS PROVIDED SUBJECT TO RETURN. IT IS ISSUED IN STRICT CONFIDENCE AND SHALL NOT BE REPRODUCED, OR COPIED, OR DISCLOSED IN WHOLE OR IN PART, OR USED AS THE BASIS FOR THE MANUFACTURE OR SALES OF APPARATUS OR PARTS TO WHICH THE DOCUMENT RELATES, WITHOUT THE EXPRESS WRITTEN CONSENT OF ITT CORPORATION, OR ITS SUBSIDIARY. THIS LEGEND SHALL BE MARKED ON ANY REPRODUCTION HEREOF, IN WHOLE OR IN PART. ALL RIGHTS TO THE INFORMATION AND DESIGN DISCLOSED HEREIN ARE RESERVED TO ITT CORPORATION, OR ITS SUBSIDIARY.

THIRD ANGLE PROJECTION	UNLESS OTHERWISE NOTED	DATE	BY
	INCH	DWN 09/29/21	LFV
	MM	CHKD 09/29/21	KRP
		APVD 09/29/21	TJS

4-WAY DIVERT W2
 OPTION-1 & OPTION-2 ASSY
 TCE & AWE TABULATED

		Pure-Flo www.ittpureflo.com	
D	A30542	SHEET 1 OF 2	REV A
MASTER DWG:	A30542/A	ECN# 18575	ISSUE BY: - CERT BY: -

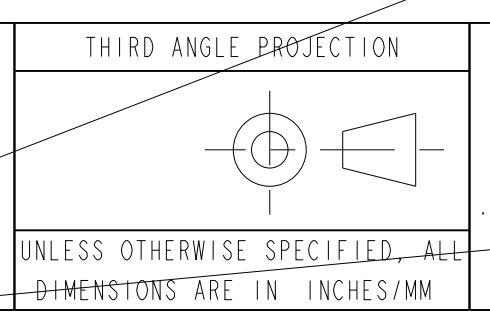
VALVE SIZE	A	B
1/2"	(11.11) [282,1]	(16.16) [410,5]
3/4"R	(11.53) [292,9]	(16.58) [421,2]
3/4"	(13.71) [348,4]	(19.55) [496,6]
1"	(14.63) [371,7]	(20.47) [520,0]
1-1/2"	(18.32) [465,3]	(28.30) [718,7]
2"	(21.45) [544,8]	(31.42) [798,2]

EN

ENVIZION ZERO TORQUE ACTUATED BONNET

PURE-FLO ORDER: -
 CUSTOMER: -
 CUSTOMER PO: -
 OTHER INFO: -

THIS DOCUMENT IS THE SOLE PROPERTY OF ITT CORPORATION, OR ITS SUBSIDIARY, AND IS PROVIDED SUBJECT TO RETURN. IT IS ISSUED IN STRICT CONFIDENCE AND SHALL NOT BE REPRODUCED, OR COPIED, OR DISCLOSED IN WHOLE OR IN PART, OR USED AS THE BASIS FOR THE MANUFACTURE OR SALES OF APPARATUS OR PARTS TO WHICH THE DOCUMENT RELATES, WITHOUT THE EXPRESS WRITTEN CONSENT OF ITT CORPORATION, OR ITS SUBSIDIARY. THIS LEGEND SHALL BE MARKED ON ANY REPRODUCTION HEREOF IN WHOLE OR IN PART. ALL RIGHTS TO THE INFORMATION AND DESIGN DISCLOSED HEREIN ARE RESERVED TO ITT CORPORATION, OR ITS SUBSIDIARY.



UNLESS OTHERWISE NOTED	
INCH	MM
X : ± 0.06	X : ± 1.5
.XX : ± 0.06	.XX : ± 1.5
.XXX : ± 0.02	.XX : ± 1.5
X/XX : ± 1/16	X : ± 1.5
X' : ± 1°	X' : ± 1°

DATE	BY
DWN 09/29/21	LFV
CHKD 09/29/21	KRP
APVD 09/29/21	TJS

4-WAY DIVERT W2 OPTION-1 & OPTION-2 ASSY TCE & AWE TABULATED		 www.ittpureflo.com
D	A30542	
MASTER DWG:	A30542/A	ECN# 18575
ISSUE BY:		CERT BY:
SHEET	REV	
2 OF 2	A	