

VALVE CONSTRUCTION

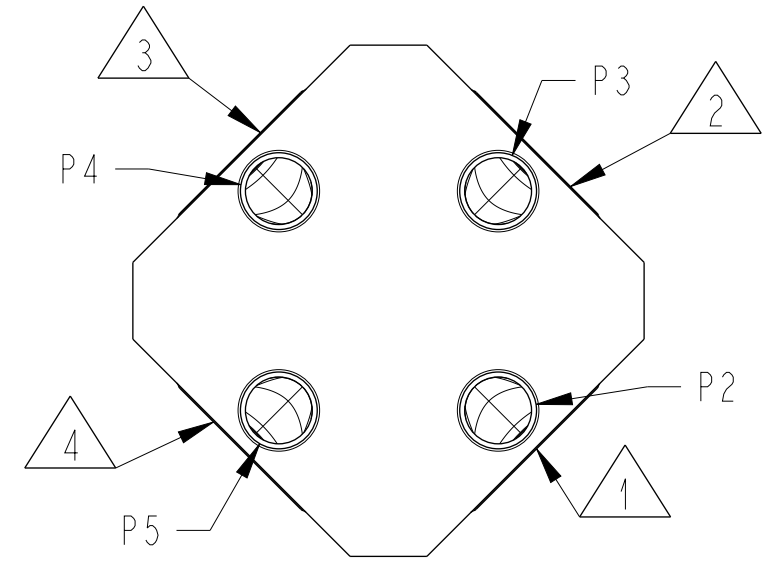
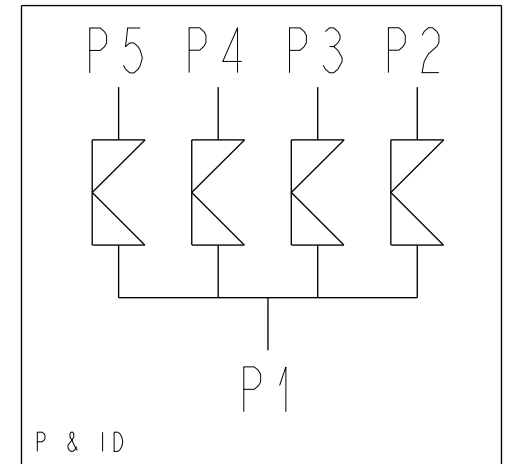
OPTIONAL MOUNTING HOLES

VALVE SIZE	A	(B1)	(B2)	(C1)	(C2)	D	E	F1	F2	(G1)	(G2)	(H1)	(H2)	(J)	(K1)	(K2)	(L)	L/D	(X)	(Y)	(Z)
1/2"	1.63 [41,3]	(2.64) [67,1]	(2.27) [57,7]	(6.78) [172,2]	(6.41) [162,8]	(3.13) [79,4]	22.69 [576,3]	6.03 [153,2]	4.78 [121,5]	(4.88) [123,9]	(3.63) [92,1]	(7.19) [182,5]	(5.94) [150,8]	(3.72) [94,4]	(2.25) [57,2]	(1.00) [25,4]	(10.19) [258,9]	2.9	(Ø 3.20) [81,3]		
3/4"R	1.63 [41,3]	(2.64) [67,1]	(2.27) [57,7]	(6.78) [172,2]	(6.41) [162,8]	(3.13) [79,4]	23.99 [609,4]	6.25 [158,7]	5.00 [127,0]	(5.05) [128,4]	(3.80) [96,6]	(7.44) [189,1]	(6.19) [157,3]	(3.97) [100,7]	(2.25) [57,2]	(1.00) [25,4]	(10.80) [274,4]	2.2	(Ø 3.40) [86,4]		
3/4"	1.63 [41,3]	(3.01) [76,3]	(2.64) [66,9]	(7.51) [190,8]	(7.14) [181,4]	(3.13) [79,4]	24.11 [612,5]	6.27 [159,2]	5.02 [127,5]	(5.05) [128,4]	(3.80) [96,6]	(7.48) [190,1]	(6.23) [158,3]	(3.97) [100,7]	(2.25) [57,2]	(1.00) [25,4]	(10.84) [275,4]	-	(Ø 3.75) [95,3]	1/4-20 UNC-2B	(0.50)
1"	1.63 [41,3]	(3.01) [76,3]	(2.64) [66,9]	(7.51) [190,8]	(7.14) [181,4]	(3.13) [79,4]	26.05 [661,7]	6.59 [167,4]	5.47 [139,0]	(5.16) [131,2]	(4.04) [102,7]	(8.02) [203,7]	(6.90) [175,2]	(4.12) [104,7]	(2.25) [57,2]	(1.13) [28,7]	(11.60) [294,6]	-	(Ø 4.50) [114,3]		
1-1/2"	1.63 [41,3]	(3.58) [90,8]	(3.21) [81,4]	(9.40) [238,8]	(9.03) [229,4]	(3.88) [98,4]	30.68 [779,2]	7.61 [193,4]	6.55 [166,4]	(6.16) [156,6]	(5.10) [129,6]	(9.06) [230,2]	(8.00) [203,2]	(5.18) [131,6]	(2.50) [63,5]	(1.44) [36,6]	(13.89) [352,8]	-	(Ø 5.50) [139,7]		
2"	1.88 [47,6]	(3.86) [97,9]	(3.24) [82,2]	(10.71) [272,0]	(10.09) [256,3]	(4.88) [123,8]	39.99 [1015,7]	9.66 [245,5]	8.41 [213,7]	(7.59) [192,8]	(6.34) [161,1]	(11.74) [298,2]	(10.49) [266,4]	(6.49) [164,9]	(3.00) [76,2]	(1.75) [44,5]	(17.92) [455,2]	-	(Ø 7.00) [177,8]	3/8-16 UNC-2B	(0.75)

- NOTES:
- "P" NUMBERS INDICATE PORT CONNECTIONS.
 - TUBE ENDS MEET OR EXCEED THE FOLLOWING LENGTHS
1/2" - 1-1/2" = 1-1/2", 2" = 1-3/4"
 - VALVE MUST BE INSTALLED WITH P1 VERTICALLY (UP OR DOWN) FOR OPTIMAL DRAINABILITY.
 - WELD WILL BE LEFT IN AS WELDED CONDITION, EXCEPT WHERE VPMRVRVF YO FERRULE.
 - ALL INSTANCES MARKED AS "-" MEET L/D OR LESS

LIST OF MAJOR COMPONENTS	
ITEM	DESCRIPTION
1	4DV W2 BODY, (123828)
2	ELBOW 45 DEG WB X FT
3	ELBOW 45 DEG WB X TC
4	ELBOW 90 DEG BPE
5	FERRULE TRI-CLAMP BW
6	TUBE
7	FERRULE TRI-CLAMP SW

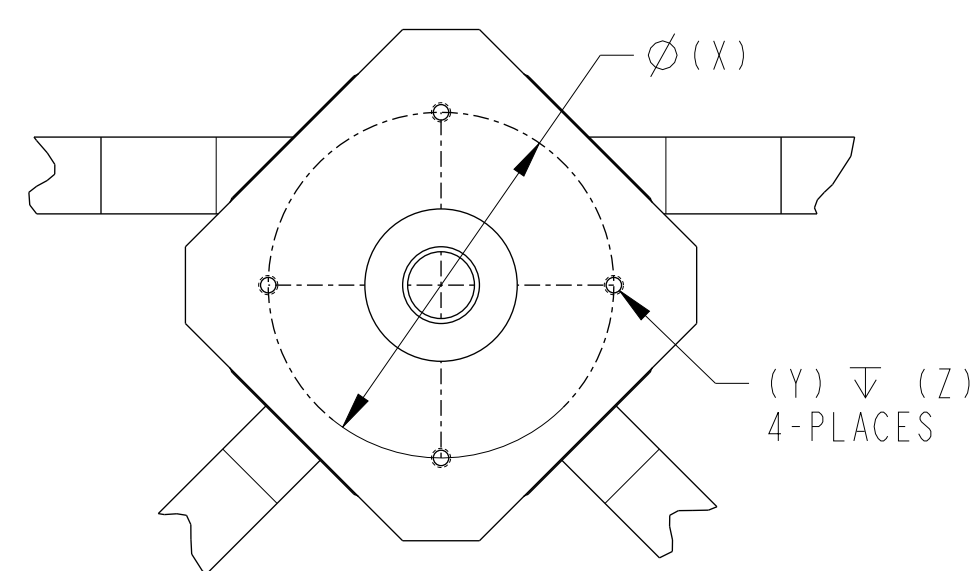
TAG NUMBERS					
	A	1	2	3	4
	VALVE ASSY	FIRST VALVE	SECOND VALVE	THIRD VALVE	FOURTH VALVE
1					



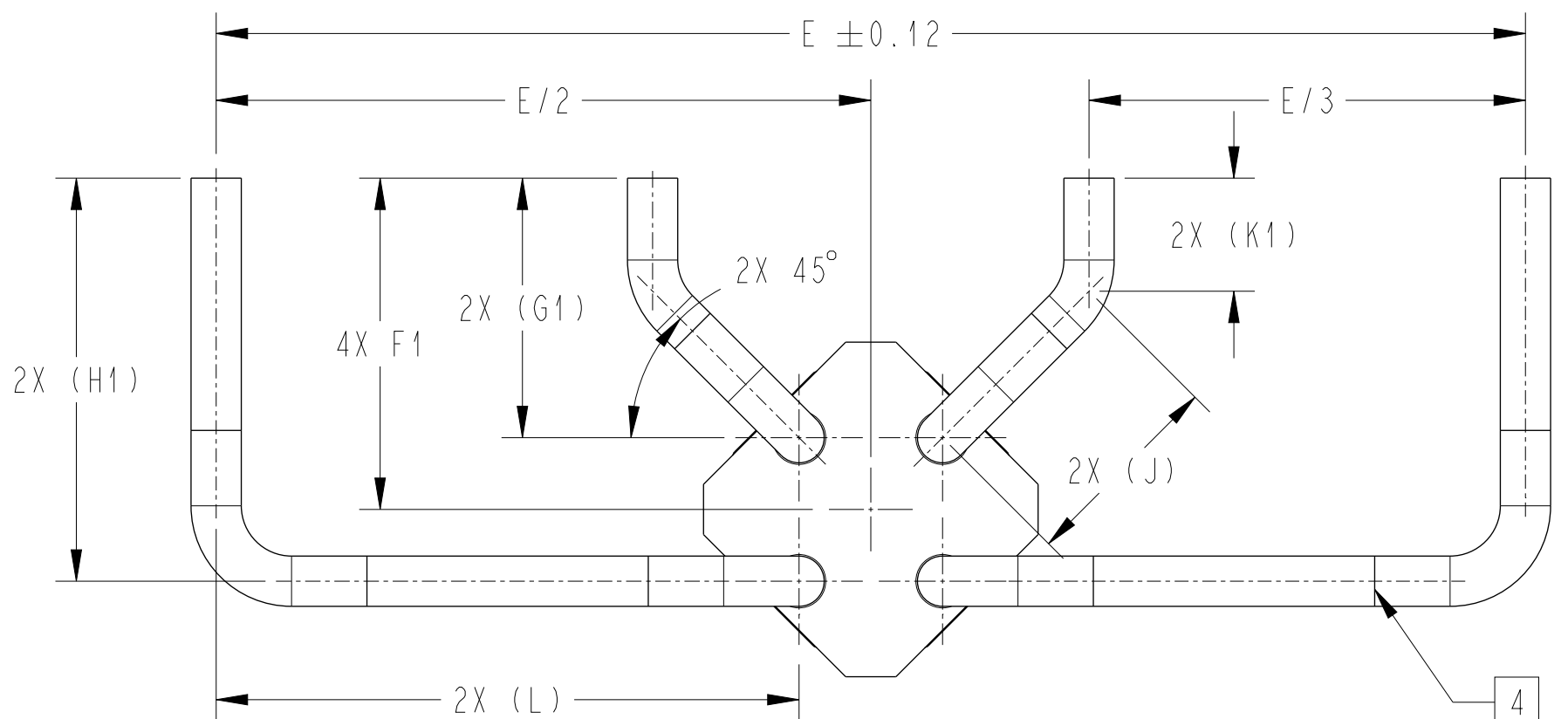
TOP VIEW

OPTIONAL MOUNTING HOLES

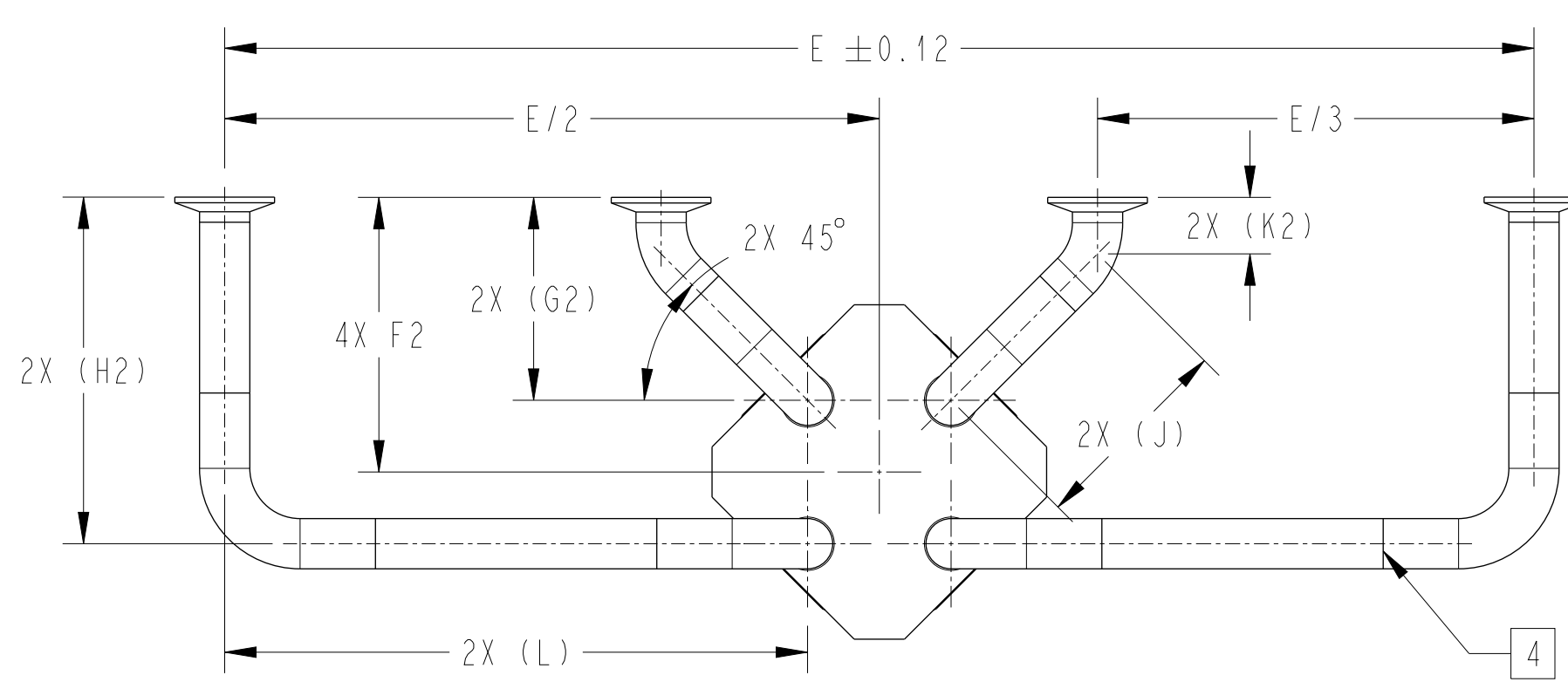
ALL SIZES



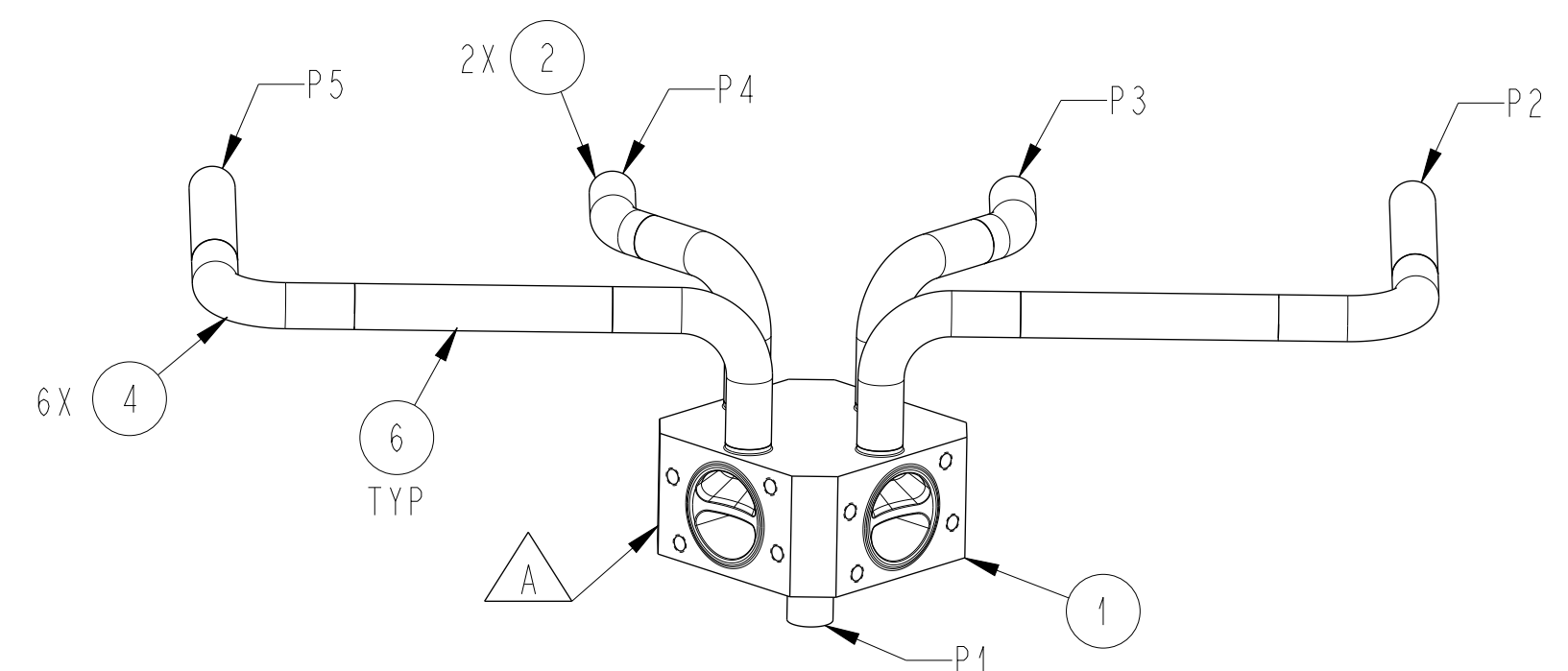
BOTTOM VIEW



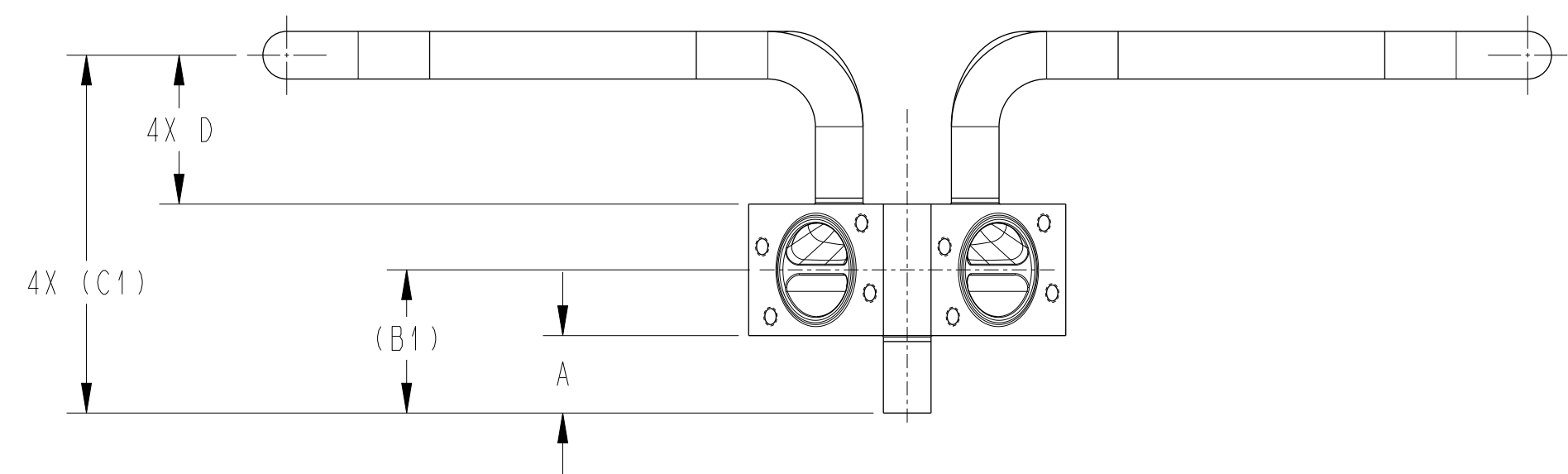
TOP VIEW



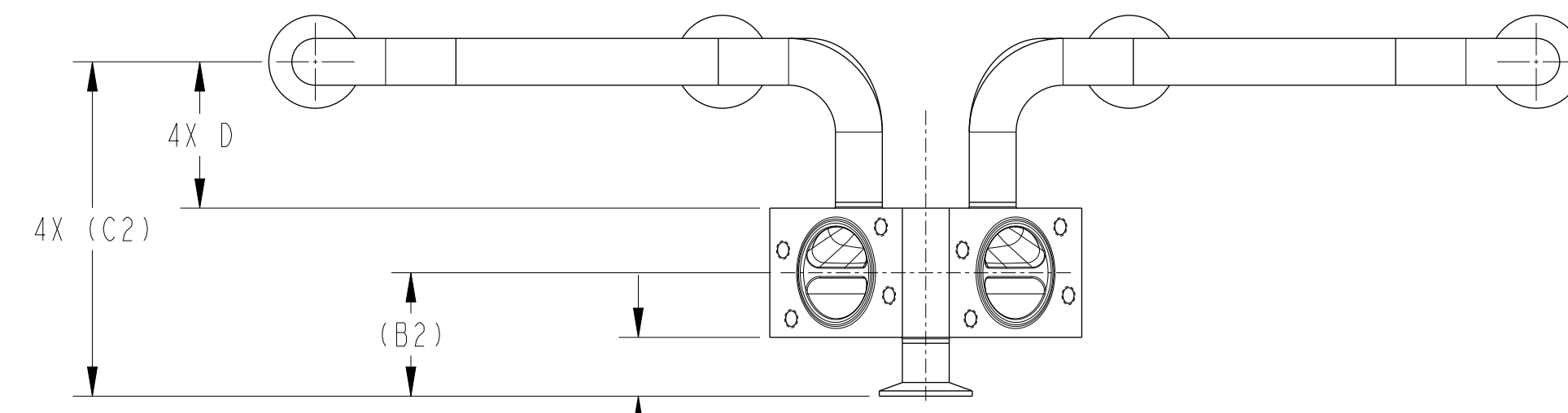
TOP VIEW



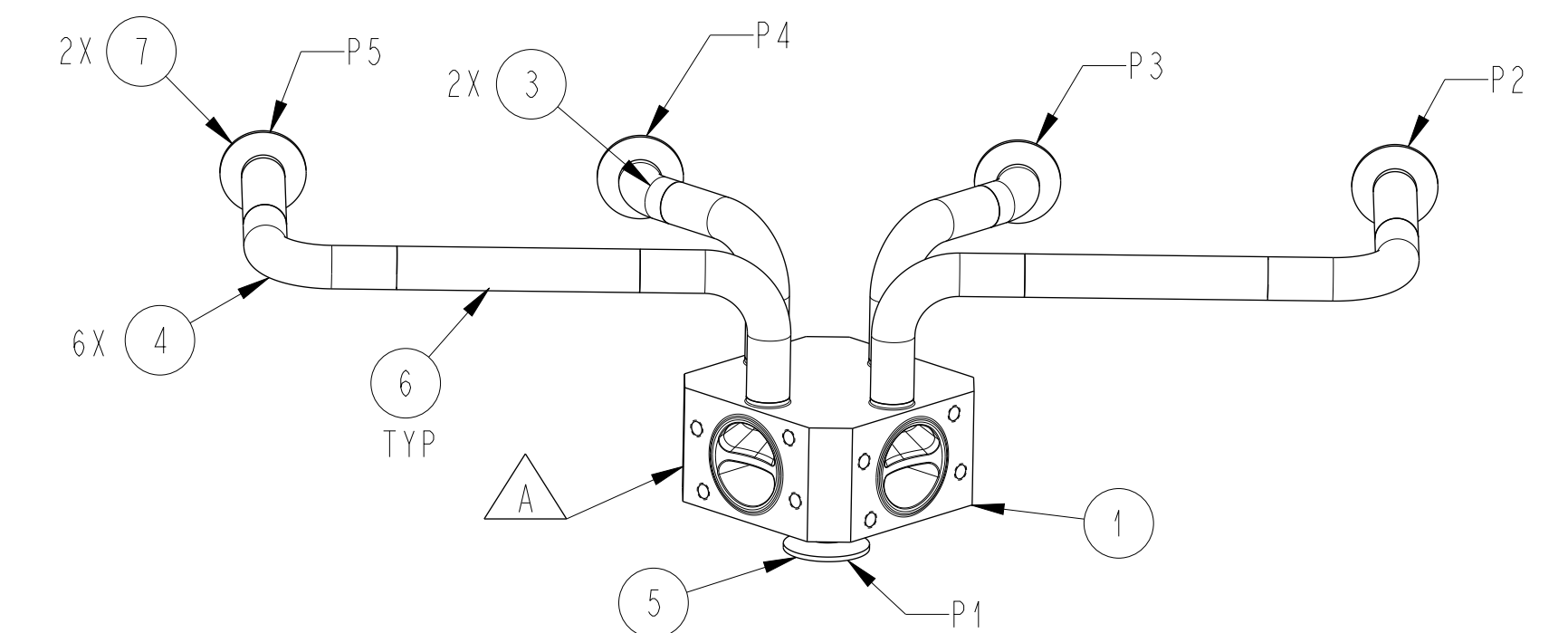
ISOMETRIC VIEW



FRONT VIEW



FRONT VIEW



ISOMETRIC VIEW

PURE-FLO ORDER: - ITEM: -
 CUSTOMER: -
 CUSTOMER PO: -
 OTHER INFO: -

THIS DOCUMENT IS THE SOLE PROPERTY OF ITT CORPORATION, OR ITS SUBSIDIARY, AND IS PROVIDED SUBJECT TO RETURN. IT IS ISSUED IN STRICT CONFIDENCE AND SHALL NOT BE REPRODUCED, OR COPIED, OR DISCLOSED IN WHOLE OR IN PART, OR USED AS THE BASIS FOR THE MANUFACTURE OR SALES OF APPARATUS OR PARTS TO WHICH THE DOCUMENT RELATES, WITHOUT THE EXPRESS WRITTEN CONSENT OF ITT CORPORATION, OR ITS SUBSIDIARY. THIS LEGEND SHALL BE MARKED ON ANY REPRODUCTION HEREOF, IN WHOLE OR IN PART. ALL RIGHTS TO THE INFORMATION AND DESIGN DISCLOSED HEREIN ARE RESERVED TO ITT CORPORATION, OR ITS SUBSIDIARY.

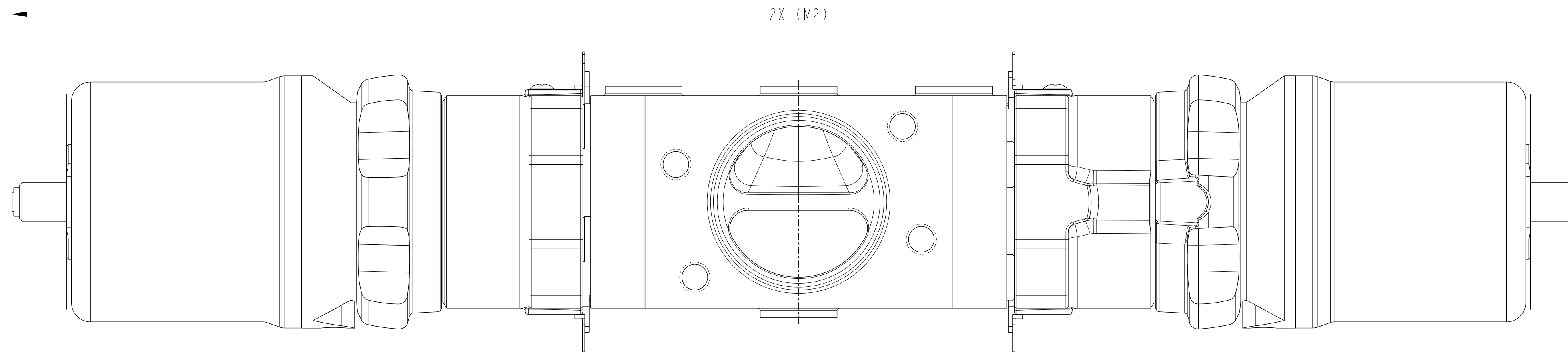
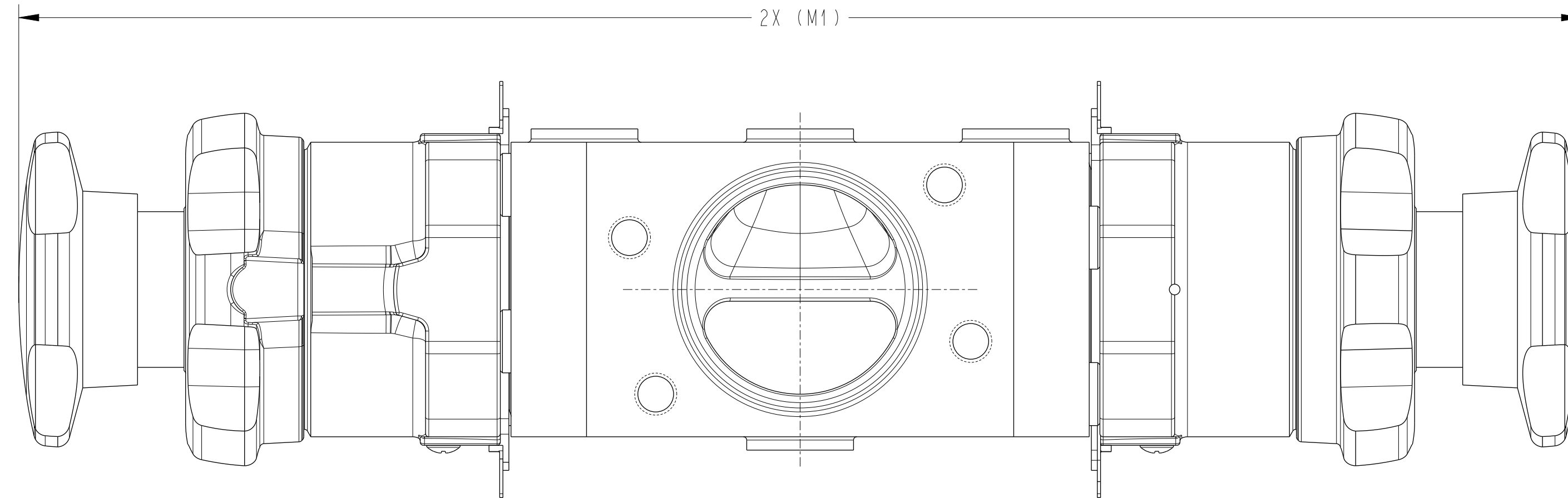
THIRD ANGLE PROJECTION	UNLESS OTHERWISE NOTED
	INCH
	MM
x: ± 0.06	x: ± 1.5
.xx: ± 0.06	.xx: ± 1.5
.xxx: ± 0.02	.xxx: ± 1.5
x/x: ± 1/16	x/x: ± 1.5
x°: ± 1°	x°: ± 1°

DATE	BY	4-WAY DIVERT W2
10/07/21	LFV	OPTION-3 ASSY.
CHKD	KRP	TCE & AWE TABULATED
APVD	TJS	MASTER DWG: A30543/B

ITT		Pure-Flo www.ittpureflo.com	
D	A30543	SHEET 1 OF 2	REV B
ISSUE BY:	CERT BY:	ECN# 18575	

VALVE SIZE	(M1)	(M2)
1/2"	(11.11) [282,1]	(16.16) [410,5]
3/4"R	(11.53) [292,9]	(16.58) [421,2]
3/4"	(13.71) [348,4]	(19.55) [496,6]
1"	(14.63) [371,7]	(20.47) [520,0]
1-1/2"	(18.32) [465,3]	(28.30) [718,7]
2"	(21.45) [544,8]	(31.42) [798,2]

ⓑ



PURE-FLO ORDER: - ITEM: -
 CUSTOMER: -
 CUSTOMER PO: -
 OTHER INFO: -

THIS DOCUMENT IS THE SOLE PROPERTY OF ITT CORPORATION, OR ITS SUBSIDIARY, AND IS PROVIDED SUBJECT TO RETURN. IT IS ISSUED IN STRICT CONFIDENCE AND SHALL NOT BE REPRODUCED, OR COPIED, OR DISCLOSED IN WHOLE OR IN PART, OR USED AS THE BASIS FOR THE MANUFACTURE OR SALES OF APPARATUS OR PARTS TO WHICH THE DOCUMENT RELATES, WITHOUT THE EXPRESS WRITTEN CONSENT OF ITT CORPORATION, OR ITS SUBSIDIARY. THIS LEGEND SHALL BE MARKED ON ANY REPRODUCTION HEREOF, IN WHOLE OR IN PART. ALL RIGHTS TO THE INFORMATION AND DESIGN DISCLOSED HEREIN ARE RESERVED TO ITT CORPORATION, OR ITS SUBSIDIARY.

THIRD ANGLE PROJECTION		UNLESS OTHERWISE NOTED	
		INCH	MM
x	±	0.06	1.5
.xx	±	0.06	1.5
.xxx	±	0.02	1.5
x/xx	±	1/16	1.5
x°	±	1°	1°

DATE	BY
10/01/21	LFV
10/01/21	KRP
10/01/21	TJS

4-WAY DIVERT W2
 OPTION-3 ASSY.
 TCE & AWE TABULATED
 MASTER DWG: A30543/B ECN# 18575

		www.ittpureflo.com	
		SHEET 2 OF 2	REV B
D	A30543	ISSUE BY: -	CERT BY: -