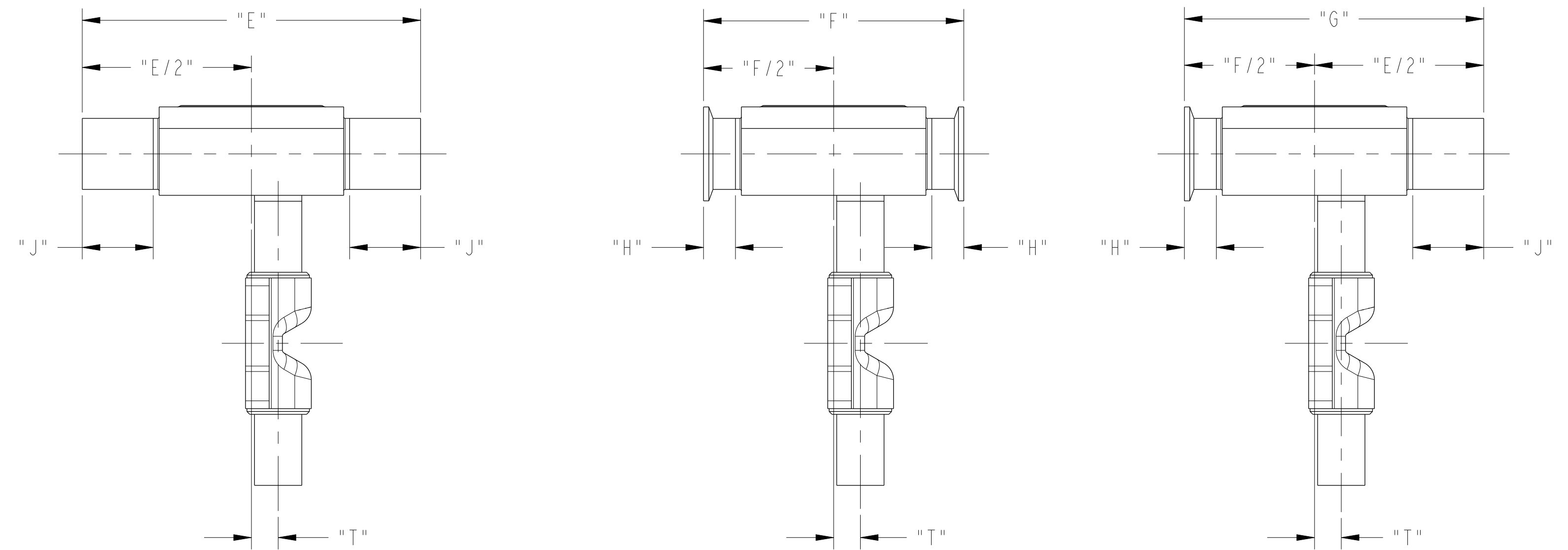
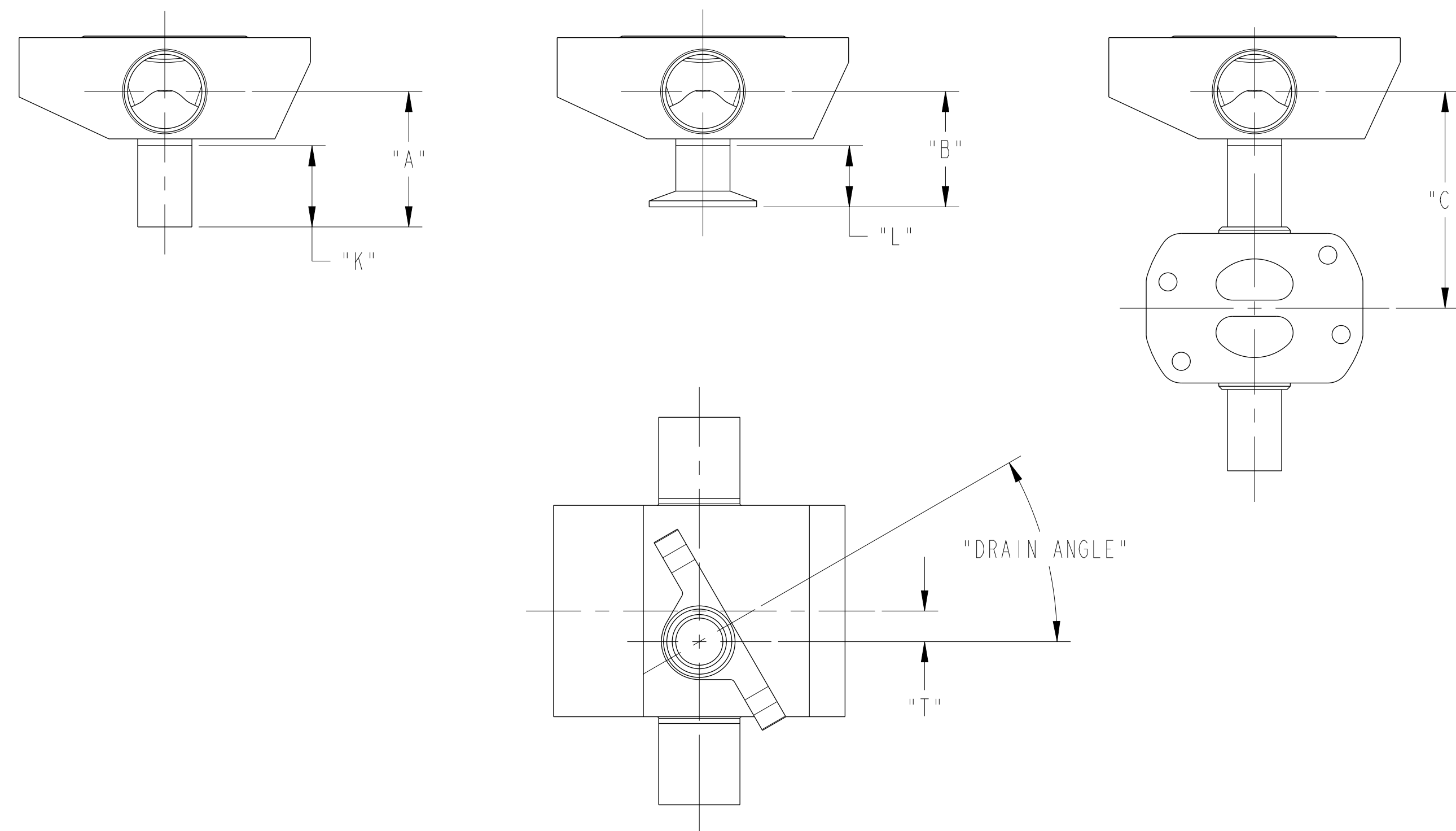


|                       |  |             | MAIN VALVE GMP                            |       |   |       |   |       |   |  |   |  |  |       |
|-----------------------|--|-------------|---|-------|---|-------|---|-------|---|--|---|--|--|-------|
|                       |  |             | 0.50 [15]                                 | CODES | 0.75R [20]                                | CODES | 0.75 [20]                                 | CODES | 1.00 [25]                                 | CODES                                      | 1.50 [40]                                 | CODES                                      | 2.00 [50]                                  | CODES |
| W<br>U<br>R<br>D<br>A | 0.25 [6]<br>0.375 [10]<br>0.50 [15]              | A<br>B      | 2.00 [50,8]<br>1.00 [25,4]                |       | 2.13 [54,1]<br>1.13 [28,7]                |       | 2.13 [54,1]<br>1.13 [28,7]                |       | 2.25 [57,2]<br>1.25 [31,8]                |  | 2.50 [63,5]<br>1.50 [38,1]                |  | 2.75 [69,9]<br>1.75 [44,5]                 |       |
|                       | BIOVIZION<br>0.25 [6]<br>0.375 [10]<br>0.50 [15] | C<br>C<br>C | 2.25 [57,2]<br>2.25 [57,2]<br>2.25 [57,2] | a     | 2.38 [60,5]<br>2.38 [60,5]<br>2.38 [60,5] | a     | 2.38 [60,5]<br>2.38 [60,5]<br>2.38 [60,5] | a     | 2.75 [69,9]<br>2.75 [69,9]<br>2.75 [69,9] | a  | 2.75 [69,9]<br>2.75 [69,9]<br>2.75 [69,9] | a  | 3.00 [76,2]<br>3.00 [76,2]<br>3.00 [76,2]  | a     |
|                       | 0.50 [15]  | A<br>B<br>C | 2.00 [50,8]<br>1.00 [25,4]<br>3.00 [76,2] |       | 2.13 [54,1]<br>1.13 [28,7]<br>3.24 [82,3] |       | 2.13 [54,1]<br>1.13 [28,7]<br>2.75 [69,9] |       | 2.25 [57,2]<br>1.25 [31,8]<br>3.18 [80,8] | a  | 2.50 [63,5]<br>1.50 [38,1]<br>3.18 [80,8] | a  | 2.75 [69,9]<br>1.75 [44,5]<br>3.43 [87,1]  | a     |
|                       | 0.75R [20]                                       | C           |   |       | 3.24 [82,3]                               |       | 2.75 [69,9]                               |       | 3.18 [80,8]                               |  | 3.18 [80,8]                               |  | 3.43 [87,1]                                |       |
|                       | 0.75 [20]  | A<br>B<br>C |   |       | 2.13 [54,1]<br>1.13 [28,7]<br>N/A         |       | 2.13 [54,1]<br>1.13 [28,7]<br>3.62 [91,9] |       | 2.25 [57,2]<br>1.25 [31,8]<br>3.62 [91,9] |  | 2.50 [63,5]<br>1.50 [38,1]<br>3.62 [91,9] |  | 2.75 [69,9]<br>1.75 [44,5]<br>4.25 [108,0] |       |
|                       | 1.00 [25]  | A<br>B<br>C |   |       |   |       |   |       | 2.25 [57,2]<br>1.88 [47,8]<br>3.62 [91,9] |  | 2.50 [63,5]<br>2.13 [54,1]<br>3.62 [91,9] |  | 2.75 [69,9]<br>2.38 [60,5]<br>4.25 [108,0] |       |
| 1.50 [40]             | A<br>B<br>C                                      |             |   |       |   |       |   |       |   | 2.50 [63,5]<br>2.13 [54,1]<br>4.25 [108,0] |   | 2.75 [69,9]<br>2.38 [60,5]<br>4.79 [121,7] |  |       |
| 2.00 [50]             | A<br>B<br>C                                      |             |   |       |   |       |   |       |   |  |   | 3.00 [76,2]<br>2.38 [60,5]<br>4.82 [122,4] |  |       |

|            |   | MAIN VALVE GMP OFFSETS |             |             |             |             |             |
|------------|---|------------------------|-------------|-------------|-------------|-------------|-------------|
| PURGE      |   | 0.50 [15]              | 0.75R [20]  | 0.75 [20]   | 1.00 [25]   | 1.50 [40]   | 2.00 [50]   |
| 0.250 [6]  | T | 0.18 [4,6]             | 0.18 [4,6]  | 0.20 [5,1]  | 0.20 [5,1]  | 0.22 [5,6]  | 0.24 [6,1]  |
| 0.375 [10] | T | 0.25 [6,4]             | 0.25 [6,4]  | 0.26 [6,6]  | 0.26 [6,6]  | 0.28 [7,1]  | 0.30 [7,6]  |
| 0.50 [15]  | T | 0.28 [7,1]             | 0.28 [7,1]  | 0.30 [7,6]  | 0.30 [7,6]  | 0.32 [8,1]  | 0.33 [8,4]  |
| 0.75R [20] | T |                        | 0.40 [10,2] | 0.42 [10,7] | 0.42 [10,7] | 0.44 [11,2] | 0.46 [11,7] |
| 0.75 [20]  | T |                        | 0.40 [10,2] | 0.42 [10,7] | 0.42 [10,7] | 0.44 [11,2] | 0.46 [11,7] |
| 1.00 [25]  | T |                        |             |             | 0.55 [14,0] | 0.57 [14,5] | 0.58 [14,7] |
| 1.50 [40]  | T |                        |             |             |             | 0.82 [20,8] | 0.83 [21,1] |
| 2.00 [50]  | T |                        |             |             |             |             | 1.08 [27,4] |

| VALVE/PURGE SIZE/TUBE                            | DRAIN ANGLE       | MAIN VALVE   |              |                  |             |             | PURGE TUBE  |             |             |
|--|-------------------|--------------|--------------|------------------|-------------|-------------|-------------|-------------|-------------|
|  |                   | E BW LENGTH  | F TC LENGTH  | G TC X BW LENGTH | H           | J           | K           | L           |             |
| BIOVIZION<br>0.25 [6]<br>0.375 [10]<br>0.50 [15] | 32°<br>25°<br>20° | N/A          | N/A          | N/A              | N/A         | N/A         | N/A         | 1.50 [38,1] | 0.50 [12,7] |
| 0.50 [15]  | 27°               | 5.28 [134,1] | 3.50 [88,9]  | 4.39 [111,5]     | 0.61 [15,5] | 1.50 [38,1] | 1.50 [38,1] | 1.50 [38,1] | 0.50 [12,7] |
| 0.75R [20]                                       | 16°               | 5.28 [134,1] | 4.00 [101,6] | 4.64 [117,9]     | 0.86 [21,8] | 1.50 [38,1] | 1.50 [38,1] | 1.50 [38,1] | 0.50 [12,7] |
| 0.75 [20]  | 36°               | 6.01 [152,7] | 4.00 [101,6] | 5.00 [127,0]     | 0.50 [12,7] | 1.50 [38,1] | 1.50 [38,1] | 1.50 [38,1] | 0.50 [12,7] |
| 1.00 [25]  | 30°               | 6.01 [152,7] | 4.50 [114,3] | 5.26 [133,6]     | 0.75 [19,1] | 1.50 [38,1] | 1.50 [38,1] | 1.50 [38,1] | 1.12 [28,4] |
| 1.50 [40]  | 25°               | 7.15 [181,6] | 5.50 [139,7] | 6.33 [160,8]     | 0.68 [17,3] | 1.50 [38,1] | 1.50 [38,1] | 1.50 [38,1] | 1.12 [28,4] |
| 2.00 [50]  | 19°               | 8.17 [207,5] | 6.25 [158,8] | 7.21 [183,1]     | 0.79 [20,1] | 1.75 [44,4] | 1.75 [44,4] | 1.75 [44,4] | 1.12 [28,4] |



CODES:  
a- NON-CONFORMANCE TO "6D" RULE.  
d- PURGE TUBE REQUIRED.

PURE-FLO ORDER: - ITEM: -  
CUSTOMER: -  
CUSTOMER PO: -  
OTHER INFO: -

THIS DOCUMENT IS THE SOLE PROPERTY OF ITT CORPORATION, OR ITS SUBSIDIARY, AND IS PROVIDED SUBJECT TO RETURN. IT IS ISSUED IN STRICT CONFIDENCE AND SHALL NOT BE REPRODUCED, OR COPIED, OR DISCLOSED IN WHOLE OR IN PART, OR USED AS THE BASIS FOR THE MANUFACTURE OR SALES OF APPARATUS OR PARTS TO WHICH THE DOCUMENT RELATES, WITHOUT THE EXPRESS WRITTEN CONSENT OF ITT CORPORATION, OR ITS SUBSIDIARY. THIS LEGEND SHALL BE MARKED ON ANY REPRODUCTION HEREOF, IN WHOLE OR IN PART. ALL RIGHTS TO THE INFORMATION AND DESIGN DISCLOSED HEREIN ARE RESERVED TO ITT CORPORATION, OR ITS SUBSIDIARY.

THIRD ANGLE PROJECTION  
UNLESS OTHERWISE NOTED  
INCH MM  
X : ± 0.06 X : ± 1.5  
XX : ± 0.06 XX : ± 1.5  
XXX : ± 0.02 XXX : ± 1.5  
X<sup>o</sup> : ± 1/16 X<sup>o</sup> : ± 1°  
X<sup>o</sup> : ± 1/32 X<sup>o</sup> : ± 1°

|          |     |                          |
|----------|-----|--------------------------|
| DATE     | BY  | GMP ENVIZION FABRICATION |
| 11/12/19 | MMA | STANDARDS                |
| CHKD     | TJS | WR 00.50 - 02.00         |
| APVD     | MMA | MASTER DWG: A31058/A     |
|          |     | ECN# 17240               |

ITT  
www.ittpureflo.com  
D A31058 SHEET 1 OF 1 REV A  
ISSUE BY: - CERT BY: -