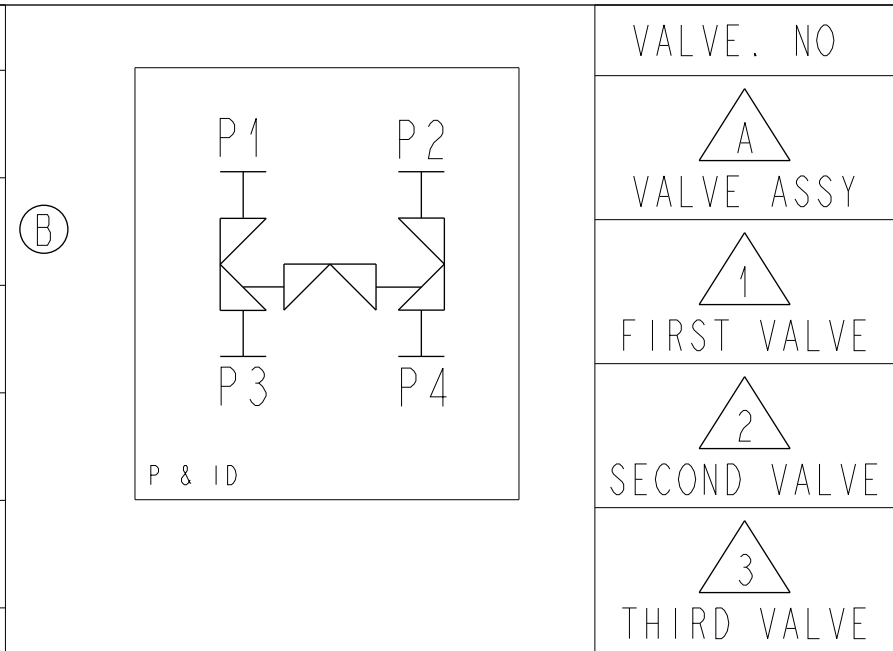
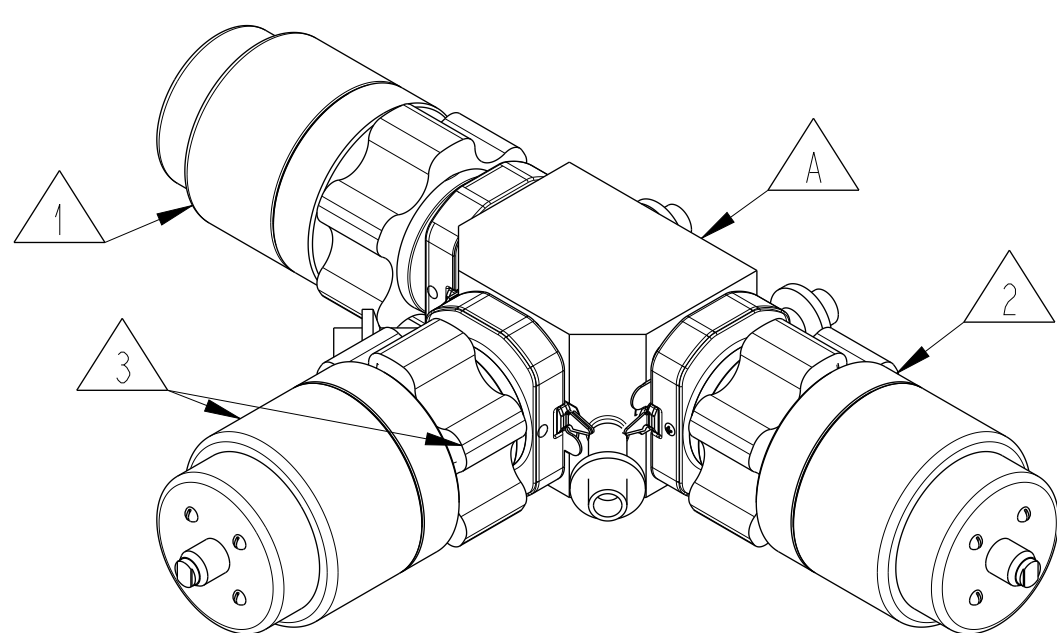


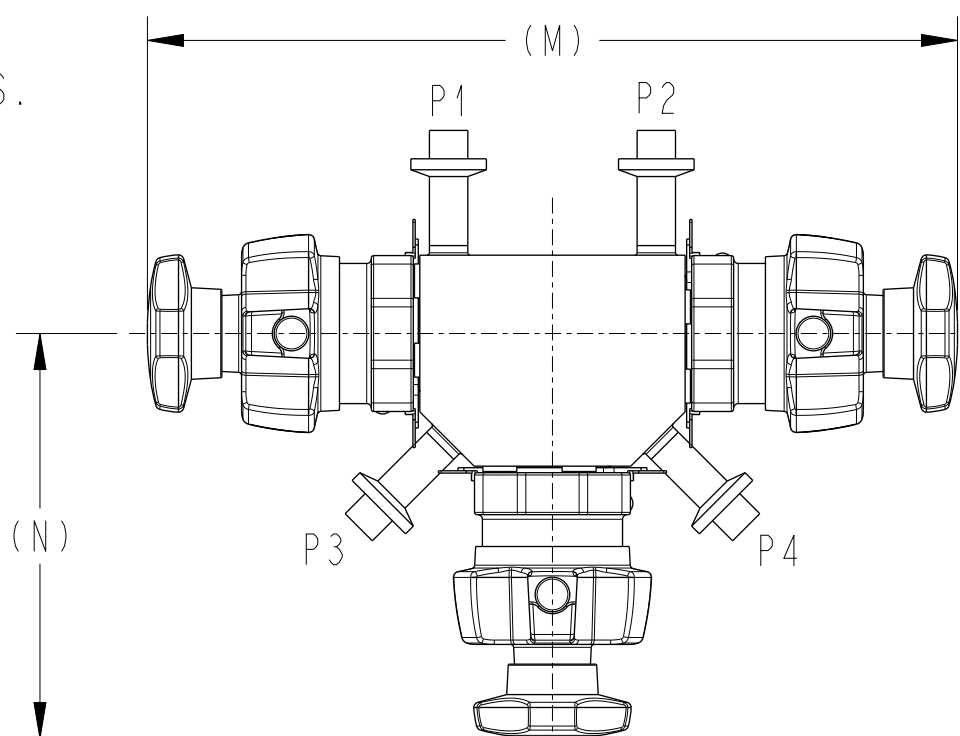
VALVE SIZE	A	B	C	D	E	F	G	H	J	K	L	M	N
1/2" ENVIZION	(2.60) [66,0]	(2.70) [68,7]	(5.17) [131,3]	(5.05) [128,1]	1.63 [41,3]	(4.54) [115,2]	(4.52) [114,9]	1.26 [31,9]	(1.02) [26,0]	(15.60) [396,2]	(7.80) [198,1]	(10.55) [267,9]	(5.27) [134,0]
3/4"R ENVIZION		(2.75) [69,8]	(5.26) [133,5]	(5.22) [132,6]		(4.62) [117,5]	(4.70) [119,3]		(1.15) [29,2]	(15.95) [405,2]	(7.98) [202,6]	(10.90) [276,9]	(5.45) [138,5]
3/4" ENVIZION	(4.00) [101,6]	(3.47) [88,1]	(5.98) [151,8]	(5.94) [150,9]		(5.34) [135,7]	(5.42) [137,6]		(1.41) [35,9]	(19.58) [497,4]	(9.79) [248,7]	(13.75) [349,2]	(6.87) [174,6]
1" ENVIZION		(3.51) [89,0]	(6.06) [154,0]	(6.12) [155,4]		(5.43) [138,0]	(5.60) [142,1]		(1.54) [39,1]		(14.10) [358,2]	(7.05) [179,1]	
1-1/2" ENVIZION	(5.38) [136,7]	(4.73) [120,1]	(7.38) [187,5]	(7.61) [193,4]		(6.75) [171,4]	(7.09) [180,1]		(2.16) [55,0]	(28.93) [734,8]	(14.46) [367,4]	(18.95) [481,3]	(9.47) [240,6]
2" ENVIZION	(5.90) [149,9]	(5.00) [126,9]	(8.04) [204,3]	(8.38) [212,8]	1.88 [47,6]	(6.99) [177,5]	(7.50) [190,6]		(2.56) [65,0]	(30.56) [776,1]	(15.28) [388,1]	(20.58) [522,7]	(10.29) [261,3]



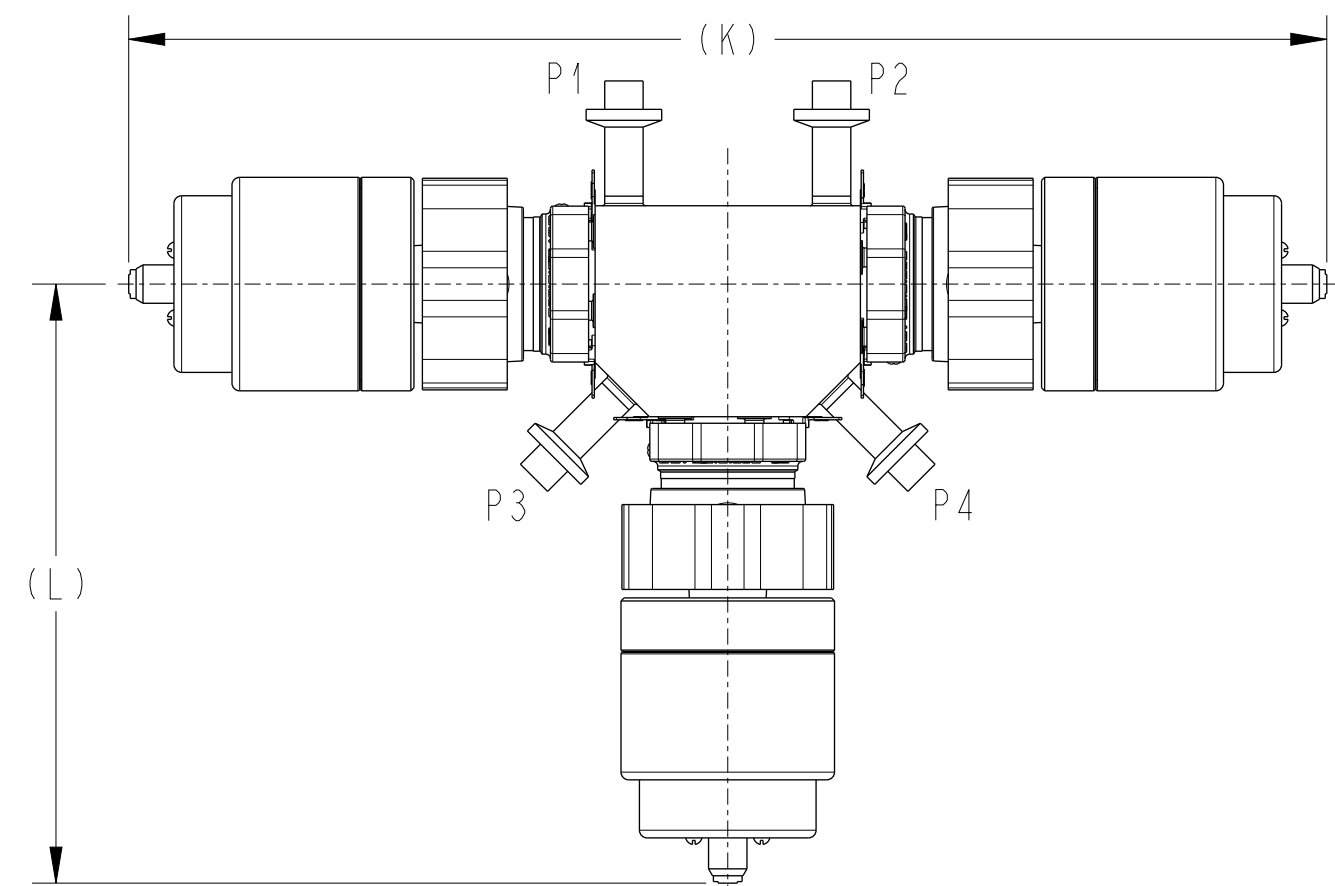
- NOTE:
- VALVE TO BE MOUNTED ON A HORIZONTAL POSITION.
 - "P" TAGS INDICATE PORT CONNECTION.
 - TUBE ENDS MEET OR EXCEEDS THE FOLLOWING TANGENT LENGTHS.
1/4" - 1-1/2" = 1-1/2", 2" = 1-3/4"
 - REFER TO DRAWING 124283 FOR BODY MACHINING DETAIL.



ISOMETRIC VIEW

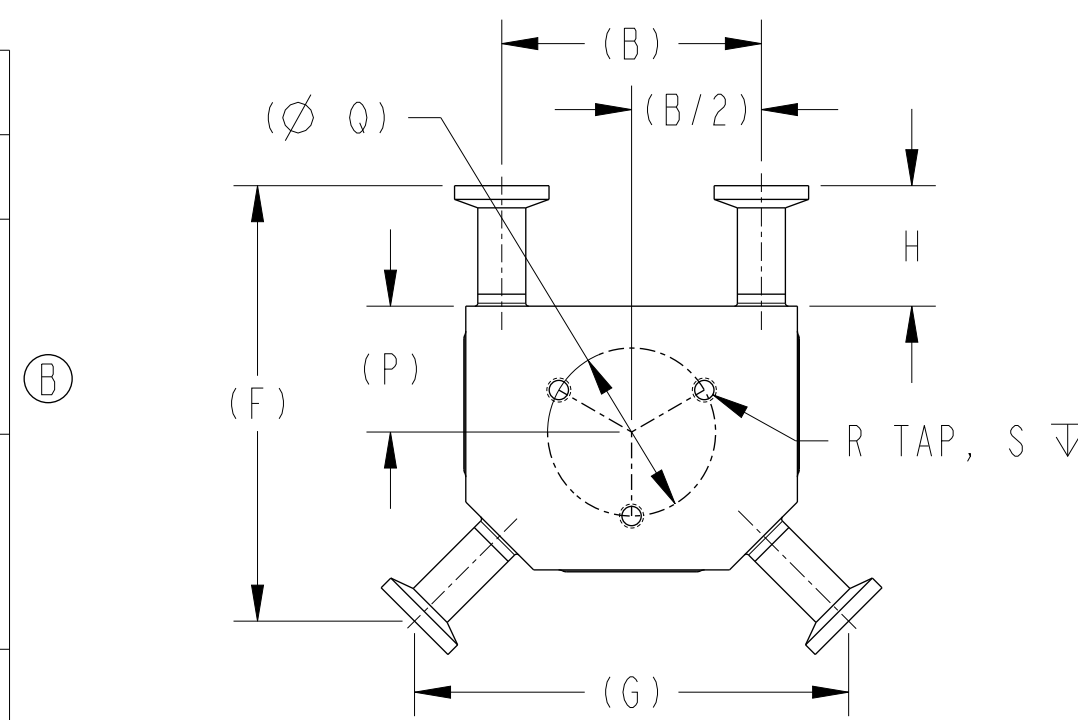


ENVIZION ZERO TORQUE MANUAL BONNET



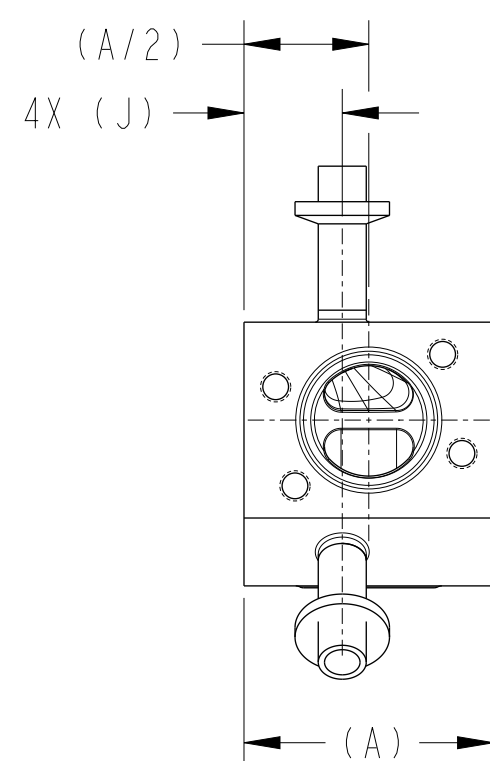
ENVIZION ZERO TORQUE ACTUATED BONNET

OPTIONAL MOUNTING HOLES				
VALVE SIZE	P	Q	R	S
1/2" W2	(1.31) [33,3]	(Ø1.75) [44,5]	1/4-20 UNC - 2B	0.50 [12,7]
3/4"R W2	(1.40) [35,5]	(Ø2.00) [50,8]		
3/4" W2	(1.76) [44,7]	(Ø2.25) [57,2]	5/16-18 UNC - 2B	0.62 [15,9]
1" W2	(1.85) [46,9]	(Ø2.50) [63,5]		
1-1/2" W2	(2.59) [65,9]	(Ø3.25) [82,6]	3/8-16 UNC - 2B	0.75 [19,1]
2" W2	(2.80) [71,2]	(Ø3.50) [88,9]		

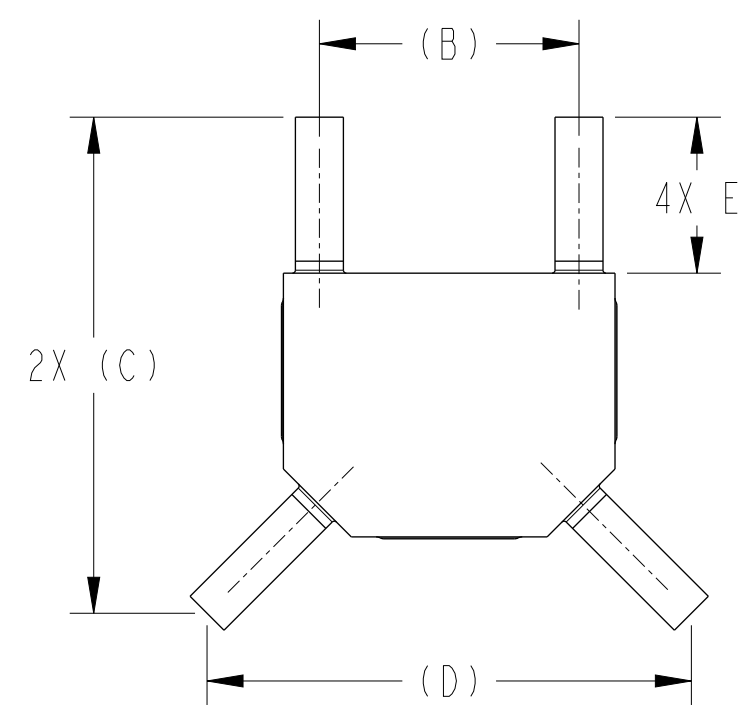


BOTTOM VIEW

SHOWN WITH OPTIONAL MOUNTING HOLES



SIDE VIEW



TOP VIEW

THIS DOCUMENT IS THE SOLE PROPERTY OF ITT CORPORATION, OR ITS SUBSIDIARY, AND IS PROVIDED SUBJECT TO RETURN. IT IS ISSUED IN STRICT CONFIDENCE AND SHALL NOT BE REPRODUCED, OR COPIED, OR DISCLOSED IN WHOLE OR IN PART, OR USED AS THE BASIS FOR THE MANUFACTURE OR SALES OF APPARATUS OR PARTS TO WHICH THE DOCUMENT RELATES, WITHOUT THE EXPRESS WRITTEN CONSENT OF ITT CORPORATION, OR ITS SUBSIDIARY. THIS LEGEND SHALL BE MARKED ON ANY REPRODUCTION HEREOF, IN WHOLE OR IN PART. ALL RIGHTS TO THE INFORMATION AND DESIGN DISCLOSED HEREIN ARE RESERVED TO ITT CORPORATION, OR ITS SUBSIDIARY.

PURE-FLO ORDER: -	ITEM: -	THIRD ANGLE PROJECTION	UNLESS OTHERWISE NOTED	DATE	BY	CROSSOVER ENVIZION		Pure-Flo www.ittpureflo.com
CUSTOMER: -			INCH MM	DWN 02/27/20	LFV	HORIZONTAL FULLY DRAINABLE		
CUSTOMER PO: -			X = ± 0.06	CHKD 02/27/20	TJS	BODY ASSY.	C	A31395
OTHER INFO: -			.X = ± 0.06	APVD 02/27/20	MMA	MASTER DWG: A31395/B		
			.XX = ± 0.06			ECN# 17504	ISSUED BY: -	CERT BY: -
			.XXX = ± 0.02					
			X/X = ± 1/16					
			X° = ± 5°					
			X° = ± 1°					