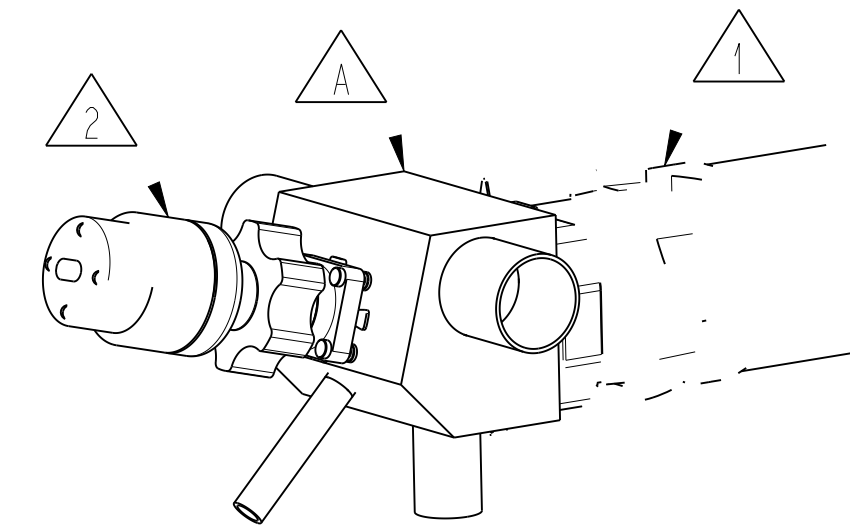
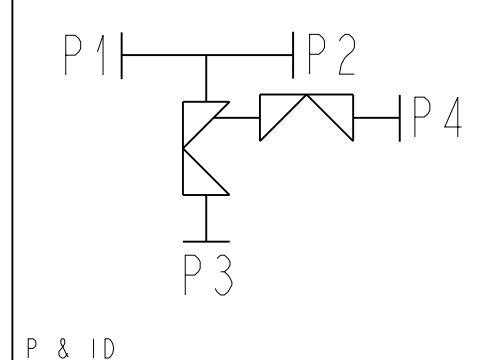


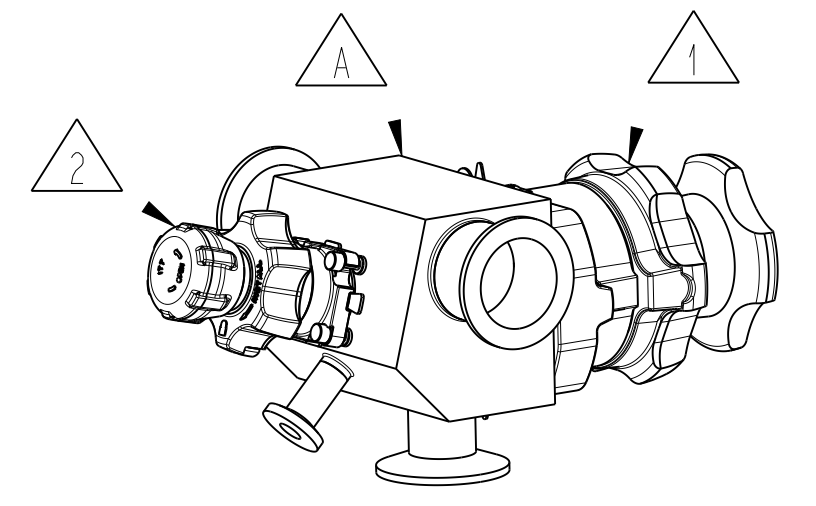
RUN	X	W2	X	BV	A1	A2	B1	B2	C	D	E	F	G	H1	H2	J1	J2	K1	K2	L1	L2
1/2	X	1/2	X	1/2			(2.88) [73,2]	(4.13) [104,8]			2.50 [63,5]	(0.33) [8,3]	(0.53) [13,3]	(2.15) [54,6]	(3.03) [77,0]	(1.32) [33,5]	(2.20) [55,9]	(6.97) [177,1]	(4.45) [113,0]	(5.42) [137,6]	(3.56) [90,5]
3/4	X	1/2	X	1/2		(5.85) [148,6]	(2.96) [75,2]	(4.21) [106,8]	1.63 [41,3]	2.50 [63,5]	2.25 [57,2]	(0.46) [11,6]	(0.60) [15,1]	(2.23) [56,7]	(2.93) [74,5]	(1.54) [39,0]	(2.24) [56,9]	(7.04) [178,9]	(4.52) [114,8]	(5.64) [143,1]	(3.78) [96,0]
1	X	1/2	X	1/2			(3.09) [78,6]	(4.34) [110,2]				(0.59) [15,0]	(0.73) [18,5]	(2.32) [59,0]	(3.03) [76,8]	(1.70) [43,2]	(2.41) [61,1]	(7.18) [182,2]	(4.65) [118,1]	(5.80) [147,4]	(3.95) [100,2]
1-1/2	X	1/2	X	1/2	(5.11) [129,8]		(3.31) [84,1]	(3.68) [93,5]				(0.85) [21,7]	(0.97) [24,6]	(2.50) [63,5]	(2.76) [70,2]	(1.96) [49,8]	(2.22) [56,4]	(7.42) [188,3]	(4.89) [124,2]	(6.06) [153,9]	(4.20) [106,8]
2	X	1/2	X	1/2			(3.52) [89,4]	(3.89) [98,8]				(1.12) [28,4]	(1.14) [29,0]	(2.68) [68,0]	(2.94) [74,7]	(2.19) [55,6]	(2.45) [62,2]	(7.59) [192,8]	(5.07) [128,7]	(6.29) [159,7]	(4.43) [112,6]
2-1/2	X	1/2	X	1/2		(6.35) [161,3]	(3.65) [92,7]	(4.02) [102,1]	1.88 [47,6]	1.63 [41,3]	1.63 [41,3]	(1.38) [35,0]	(1.30) [33,1]	(2.77) [70,4]	(3.03) [77,1]	(2.43) [61,6]	(2.69) [68,3]	(7.75) [196,9]	(5.23) [132,7]	(6.52) [165,7]	(4.67) [118,6]
3	X	1/2	X	1/2			(3.91) [99,3]	(4.28) [108,7]				(1.64) [41,5]	(1.45) [32,8]	(2.96) [75,2]	(3.22) [81,9]	(2.72) [69,2]	(2.99) [75,8]	(7.89) [200,5]	(5.37) [136,3]	(6.82) [173,3]	(4.97) [126,2]
4	X	1/2	X	1/2		(6.85) [174,0]	(4.41) [112,1]	(4.78) [121,5]	2.13 [54,0]			(2.14) [54,3]	(1.75) [44,5]	(3.29) [83,5]	(3.55) [90,1]	(3.33) [84,6]	(3.59) [91,2]	(8.20) [208,2]	(5.67) [144,1]	(7.43) [188,7]	(5.57) [141,6]
3/4	X	3/4	X	1/2			(2.96) [75,2]	(4.21) [106,8]		2.50 [63,5]	2.50 [63,5]	(0.46) [11,6]	(0.44) [11,2]	(2.23) [56,7]	(3.11) [79,0]	(1.54) [39,1]	(2.42) [61,4]	(7.04) [178,9]	(4.52) [114,8]	(5.64) [143,2]	(3.78) [96,1]
1	X	3/4	X	1/2		(5.85) [148,6]	(3.09) [78,6]	(4.34) [110,2]	1.63 [41,3]			(0.59) [15,0]	(0.57) [14,5]	(2.32) [59,0]	(3.20) [81,3]	(1.70) [43,2]	(2.58) [65,6]	(7.18) [182,2]	(4.65) [118,1]	(5.80) [147,4]	(3.95) [100,2]
1-1/2	X	3/4	X	1/2			(3.31) [84,1]	(3.68) [93,5]				(0.85) [21,7]	(0.81) [20,6]	(2.50) [63,5]	(2.76) [70,2]	(1.96) [49,8]	(2.22) [56,4]	(7.42) [188,3]	(4.89) [124,2]	(6.06) [153,9]	(4.20) [106,8]
2	X	3/4	X	1/2	(5.11) [129,8]		(3.52) [89,4]	(3.89) [98,8]				(1.12) [28,4]	(0.99) [25,1]	(2.68) [68,0]	(2.94) [74,7]	(2.19) [55,6]	(2.45) [62,2]	(7.59) [192,8]	(5.07) [128,7]	(6.29) [159,7]	(4.43) [112,6]
2-1/2	X	3/4	X	1/2		(6.35) [161,3]	(3.65) [92,7]	(4.02) [102,1]	1.88 [47,6]	1.63 [41,3]	1.63 [41,3]	(1.38) [35,0]	(1.15) [29,2]	(2.77) [70,4]	(3.03) [77,1]	(2.43) [61,6]	(2.69) [68,3]	(7.75) [196,9]	(5.23) [132,7]	(6.52) [165,7]	(4.67) [118,6]
3	X	3/4	X	1/2			(3.91) [99,3]	(4.28) [108,7]				(1.64) [41,5]	(1.29) [32,8]	(2.96) [75,2]	(3.22) [81,9]	(2.72) [69,2]	(2.99) [75,8]	(7.89) [200,5]	(5.37) [136,3]	(6.82) [173,3]	(4.97) [126,2]
4	X	3/4	X	1/2		(6.85) [174,0]	(4.41) [112,1]	(4.78) [121,5]	2.13 [54,0]			(2.14) [54,3]	(1.60) [40,5]	(3.29) [83,5]	(3.55) [90,1]	(3.33) [84,6]	(3.59) [91,2]	(8.20) [208,2]	(5.67) [144,1]	(7.43) [188,7]	(5.57) [141,6]
3/4	X	3/4	X	1/2			(3.11) [78,9]	(4.35) [110,5]		2.50 [63,5]	2.50 [63,5]	(0.47) [12,0]	(0.56) [14,2]	(2.23) [56,6]	(3.11) [78,9]	(1.53) [39,0]	(2.41) [61,3]	(8.62) [218,9]	(5.70) [144,8]	(5.63) [143,1]	(3.78) [96,0]
1	X	3/4	X	1/2		(7.25) [184,2]	(3.24) [82,2]	(4.48) [113,9]	1.63 [41,3]			(0.60) [15,3]	(0.67) [17,1]	(2.32) [59,0]	(3.20) [81,4]	(1.70) [43,2]	(2.58) [65,6]	(8.73) [221,7]	(5.81) [147,6]	(5.80) [147,4]	(3.95) [100,2]
1-1/2	X	3/4	X	1/2			(3.50) [89,0]	(3.87) [98,4]				(0.87) [22,1]	(0.93) [23,5]	(2.55) [64,9]	(2.82) [71,5]	(1.95) [49,6]	(2.22) [56,3]	(8.99) [228,2]	(6.07) [154,1]	(6.05) [153,8]	(4.20) [106,6]
2	X	3/4	X	1/2	(6.51) [165,4]		(3.77) [95,7]	(4.14) [105,1]				(1.13) [28,8]	(1.17) [29,8]	(2.78) [70,7]	(3.05) [77,4]	(2.16) [55,0]	(2.43) [61,6]	(9.23) [234,5]	(6.31) [160,4]	(6.26) [159,1]	(4.41) [112,0]
2-1/2	X	3/4	X	1/2		(7.75) [196,9]	(4.03) [102,4]	(4.40) [111,8]	1.88 [47,6]	1.63 [41,3]	1.63 [41,3]	(1.40) [35,5]	(1.37) [34,7]	(2.98) [75,6]	(3.24) [82,2]	(2.47) [62,7]	(2.73) [69,4]	(9.42) [239,3]	(6.51) [165,2]	(6.57) [166,8]	(4.71) [119,7]
3	X	3/4	X	1/2			(4.29) [109,0]	(4.66) [118,4]				(1.66) [42,1]	(1.53) [38,8]	(3.17) [80,4]	(3.43) [87,1]	(2.78) [70,6]	(3.04) [77,2]	(9.59) [243,5]	(6.67) [169,4]	(6.88) [174,7]	(5.02) [127,6]
4	X	3/4	X	1/2		(8.25) [209,6]	(4.79) [121,8]	(5.16) [131,2]	2.13 [54,0]			(2.16) [54,8]	(1.83) [46,4]	(3.31) [84,2]	(3.57) [90,8]	(3.34) [84,7]	(3.60) [91,4]	(9.88) [251,1]	(6.97) [176,9]	(7.44) [188,9]	(5.58) [141,7]
1	X	1	X	1/2			(3.24) [82,2]	(4.48) [113,9]	1.63 [41,3]	2.50 [63,5]	2.75 [69,9]	(0.60) [15,3]	(0.51) [13,1]	(2.32) [59,0]	(3.38) [85,9]	(1.70) [43,2]	(2.76) [70,1]	(8.73) [221,7]	(5.81) [147,6]	(5.80) [147,4]	(3.95) [100,2]
1-1/2	X	1	X	1/2			(3.50) [89,0]	(3.87) [98,4]		2.50 [63,5]		(0.87) [22,1]	(0.77) [19,5]	(2.55) [64,9]	(3.43) [87,2]	(1.95) [49,6]	(2.83) [72,0]	(8.99) [228,2]	(6.07) [154,1]	(6.05) [153,8]	(4.20) [106,6]
2	X	1	X	1/2	(6.51) [165,4]		(3.77) [95,7]	(4.14) [105,1]				(1.13) [28,8]	(1.02) [25,8]	(2.78) [70,7]	(3.05) [77,4]	(2.16) [55,0]	(2.43) [61,6]	(9.23) [234,5]	(6.31) [160,4]	(6.26) [159,1]	(4.41) [112,0]
2-1/2	X	1	X	1/2		(7.75) [196,9]	(4.03) [102,4]	(4.40) [111,8]	1.88 [47,6]	1.63 [41,3]	1.63 [41,3]	(1.40) [35,5]	(1.21) [30,7]	(2.98) [75,6]	(3.24) [82,2]	(2.47) [62,7]	(2.73) [69,4]	(9.42) [239,3]	(6.51) [165,2]	(6.57) [166,8]	(4.71) [119,7]
3	X	1	X	1/2			(4.29) [109,0]	(4.66) [118,4]				(1.66) [42,1]	(1.37) [34,8]	(3.17) [80,4]	(3.43) [87,1]	(2.78) [70,6]	(3.04) [77,2]	(9.59) [243,5]	(6.67) [169,4]	(6.88) [174,7]	(5.02) [127,6]
4	X	1	X	1/2		(8.25) [209,6]	(4.79) [121,8]	(5.16) [131,2]	2.13 [54,0]			(2.16) [54,8]	(1.67) [46,4]	(3.17) [84,2]	(3.43) [90,8]	(3.30) [84,7]	(3.56) [91,4]	(9.88) [251,1]	(6.97) [176,9]	(7.40) [188,9]	(5.54) [141,7]
1-1/2	X	1-1/2	X	1/2			(4.10) [104,2]	(4.47) [113,6]	1.63 [41,3]			(0.90) [22,8]	(0.75) [19,1]	(2.60) [66,1]	(3.13) [79,5]	(2.19) [55,7]	(2.72) [69,1]	(12.85) [326,4]	(7.86) [199,6]	(6.29) [159,8]	(4.44) [112,7]
2	X	1-1/2	X	1/2			(4.35) [110,6]	(4.72) [120,0]		2.00 [50,8]		(1.15) [29,2]	(0.75) [19,1]	(2.80) [71,2]	(3.33) [84,6]	(2.23) [56,6]	(2.75) [69,9]	(12.85) [326,4]	(7.86) [199,6]	(6.33) [160,7]	(4.47) [113,6]
2-1/2	X	1-1/2	X	1/2	(7.89) [200,3]		(9.13) [231,8]	(4.62) [117,4]	(4.99) [126,8]	1.88 [47,6]	1.63 [41,3]	(1.42) [36,0]	(1.01) [25,7]	(3.00) [76,2]	(3.26) [82,8]	(2.48) [62,9]	(2.74) [69,5]	(13.11) [333,0]	(8.12) [206,3]	(6.58) [167,0]	(4.72) [119,9]
3	X	1-1/2	X	1/2			(4.88) [124,1]	(5.25) [133,5]		1.63 [41,3]		(1.68) [42,7]	(1.23) [31,2]	(3.12) [79,3]	(3.38) [85,9]	(2.77) [70,3]	(3.03) [76,9]	(13.33) [338,5]	(8.34) [211,8]	(6.87) [174,4]	(5.01) [127,3]
4	X	1-1/2	X	1/2		(9.63) [244,5]	(5.39) [136,9]	(5.76) [146,3]	2.13 [54,0]			(2.18) [55,5]	(1.57) [39,8]	(3.27) [83,1]	(3.53) [89,8]	(3.33) [84,5]	(3.59) [91,1]	(13.67) [347,1]	(8.68) [220,4]	(7.42) [188,6]	(5.57) [141,5]
2	X	2	X	1/2			(4.41) [111,9]	(5.15) [130,8]		2.00 [50,8]		(1.17) [29,7]	(0.75) [19,1]	(2.85) [72,5]	(3.38) [85,9]	(2.50) [63,5]	(3.03) [76,9]	(13.53) [343,7]	(8.54) [216,9]	(6.60) [167,6]	(4.74) [120,5]
2-1/2	X	2	X	1/2		(8.40) [213,4]	(9.64) [244,9]	(5.28) [134,1]	1.88 [47,6]			(1.42) [36,2]	(0.80) [20,3]	(3.04) [77,1]	(3.56) [90,5]	(2.55) [64,7]	(3.07) [78,1]	(13.58) [344,9]	(8.59) [218,2]	(6.65) [168,8]	(4.79) [121,7]
3	X	2	X	1/2			(4.92) [125,0]	(5.54) [140,7]		1.88 [47,6]		(1.69) [42,8]	(0.98) [25,0]	(3.16) [80,2]	(3.42) [86,8]	(2.78) [70,5]	(3.04) [77,2]	(13.76) [349,6]	(8.77) [222,9]	(6.88) [174,7]	(5.02) [127,5]
4	X	2	X	1/2		(10.14) [257,6]	(5.42) [137,8]	(6.04) [153,5]	2.13 [54,0]			(2.19) [55,6]	(1.33) [33,7]	(3.24) [82,2]	(3.50) [88,9]	(3.32) [84,2]	(3.58) [90,9]	(14.11) [358,3]	(9.12) [231,6]	(7.42) [188,3]	(5.56) [141,2]

FOR BODY MACHINING DETAIL REFER TO DRAWING 124317

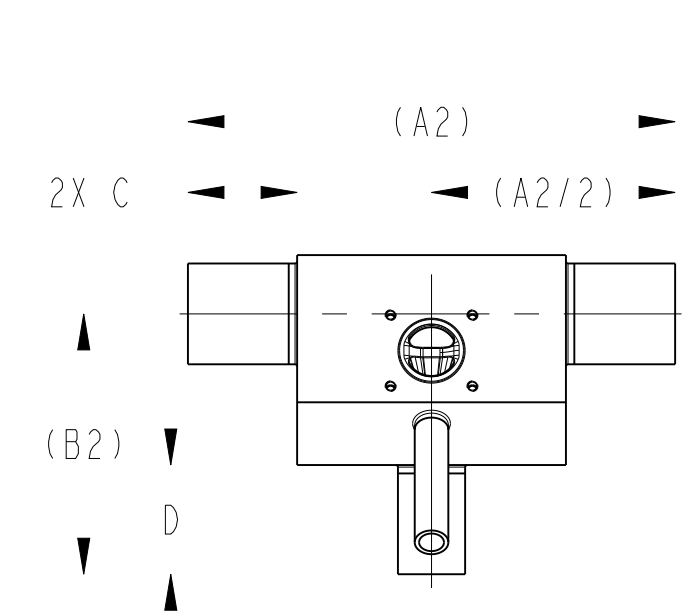
TAG NUMBERS



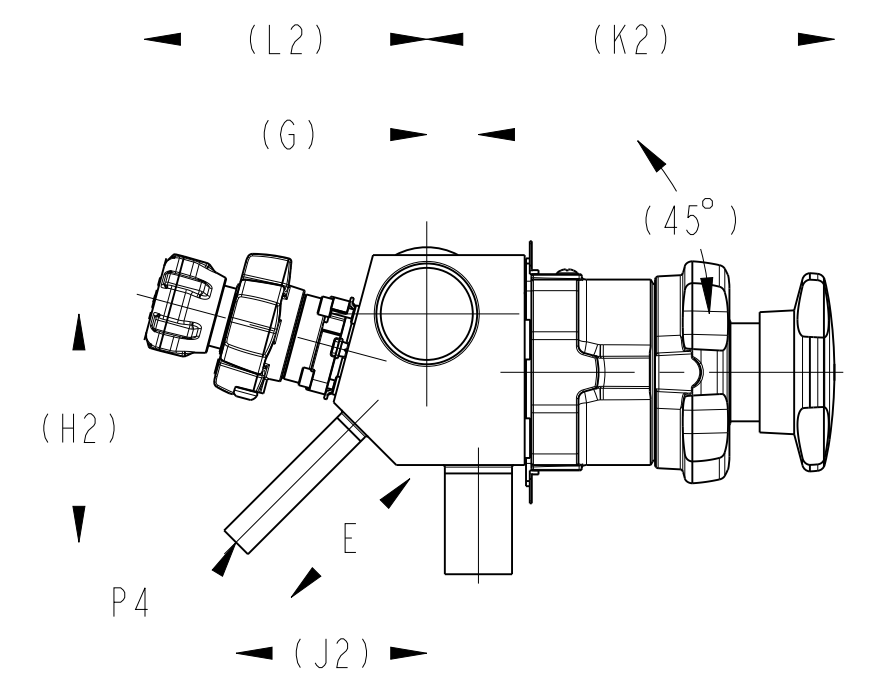
ISOMETRIC VIEW



ISOMETRIC VIEW

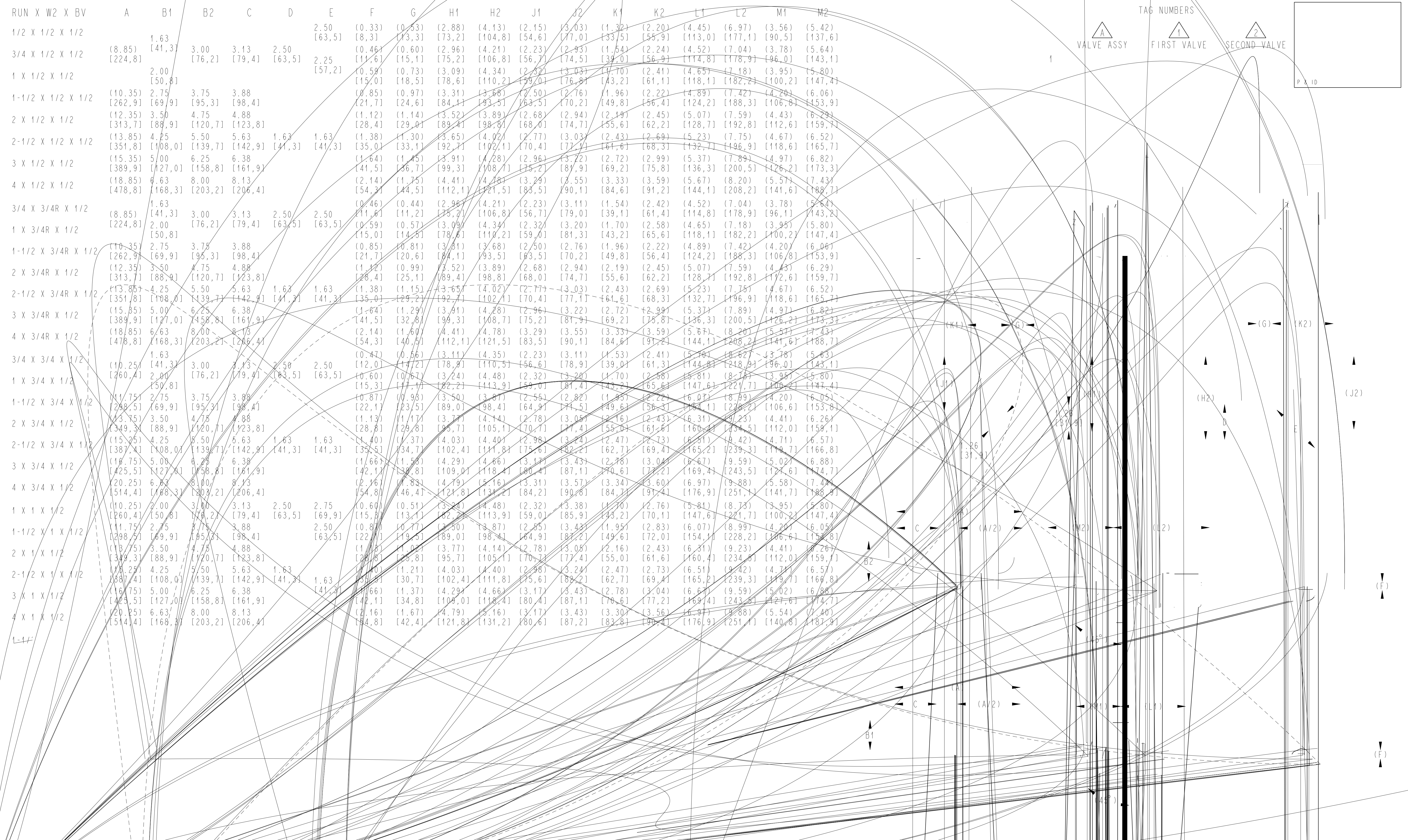


BACK VIEW



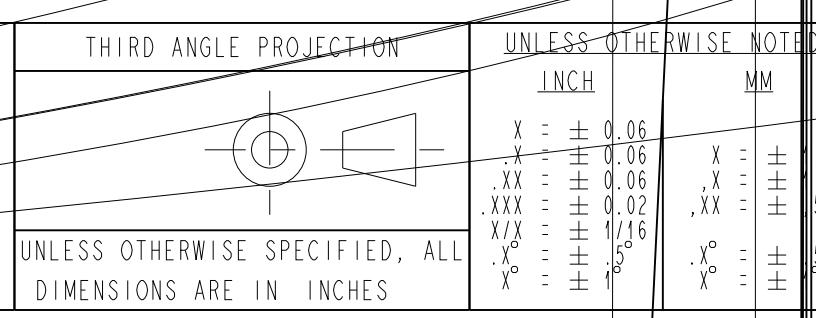
SIDE VIEW





PURE-FLO ORDER: -  
 CUSTOMER: -  
 CUSTOMER PO: -  
 OTHER INFO: -

THIS DOCUMENT IS THE SOLE PROPERTY OF ITT CORPORATION, OR ITS SUBSIDIARY, AND IS PROVIDED SUBJECT TO RETURN. IT IS ISSUED IN STRICT CONFIDENCE AND SHALL NOT BE REPRODUCED, OR COPIED, OR DISCLOSED IN WHOLE OR IN PART, OR USED AS THE BASIS FOR THE MANUFACTURE OR SALES OF APPARATUS OR PARTS TO WHICH THE DOCUMENT RELATES, WITHOUT THE EXPRESS WRITTEN CONSENT OF ITT CORPORATION, OR ITS SUBSIDIARY. THIS LEGEND SHALL BE MARKED ON ANY REPRODUCTION HEREOF, IN WHOLE OR IN PART. ALL RIGHTS TO THE INFORMATION AND DESIGN DISCLOSED HEREIN ARE RESERVED TO ITT CORPORATION, OR ITS SUBSIDIARY.



UNLESS OTHERWISE NOTED	
INCH	MM
0.005	0.125
0.010	0.250
0.015	0.375
0.020	0.500
0.030	0.750
0.040	1.000
0.050	1.250
0.060	1.500
0.070	1.750
0.080	2.000
0.090	2.250
0.100	2.500

DATE	BY	ZERO	STATION	BACK	TO BACK
DWN 03/20/19	LFV	ENV	Z ON	BACK	TO BACK
CHKD 03/20/19	MMA				
APVD 03/20/19	MMA	MASTER DWG:	AB 2237	HCN# 17543	ISSUE BY: -

**ITT**  
 www.ittpureflo.com

SHEET 2 OF 2  
 REV -

CERT BY: -