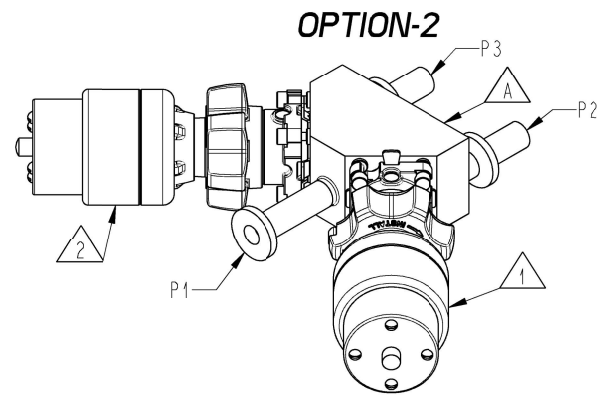
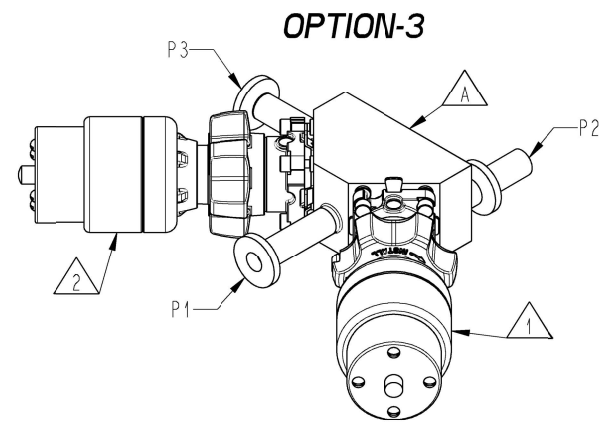


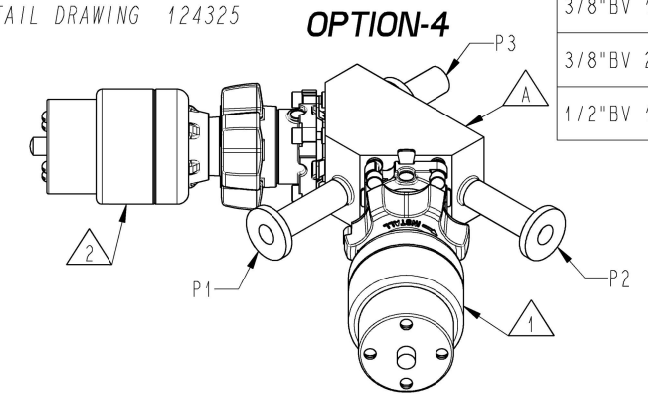
ISOMETRIC VIEW



ISOMETRIC VIEW



ISOMETRIC VIEW

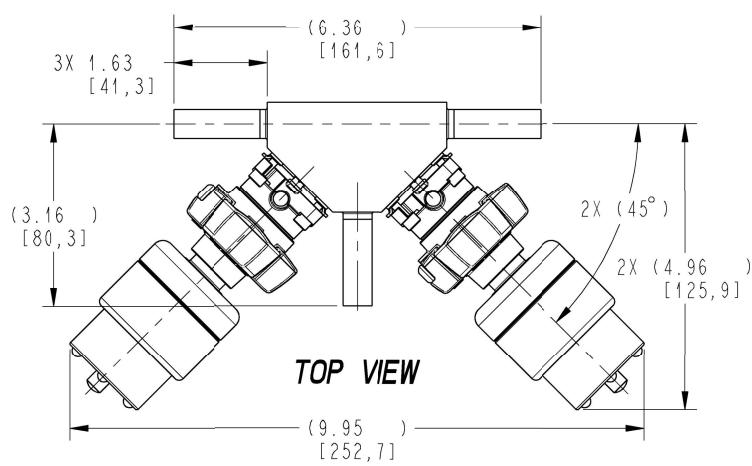


ISOMETRIC VIEW

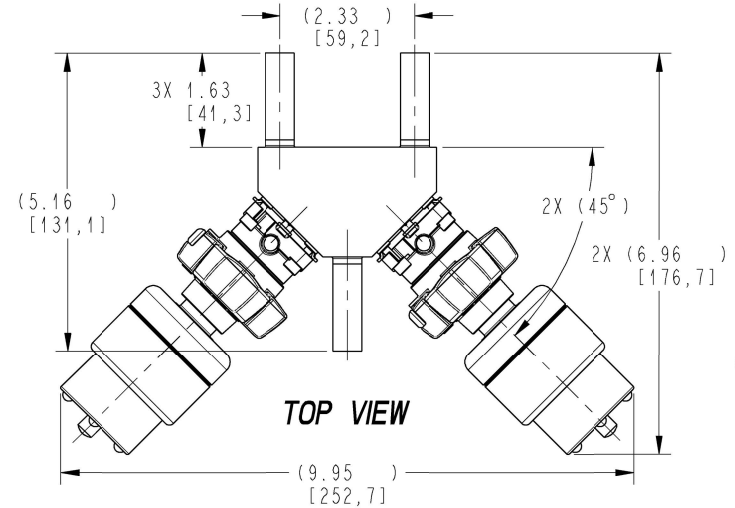
TAG NUMBERS		
△ A	1	2
VALVE ASSY	FIRST VALVE	SECOND VALVE
1		

VALVE SIZE	A	L/D
1/4"BV 18GA	(0.54) [13,8]	2.7
1/4"BV 20GA	(0.56) [14,1]	2.6
3/8"BV 18GA	(0.60) [15,3]	2.1
3/8"BV 20GA	(0.62) [15,7]	-
1/2"BV 16GA	(0.65) [16,5]	-

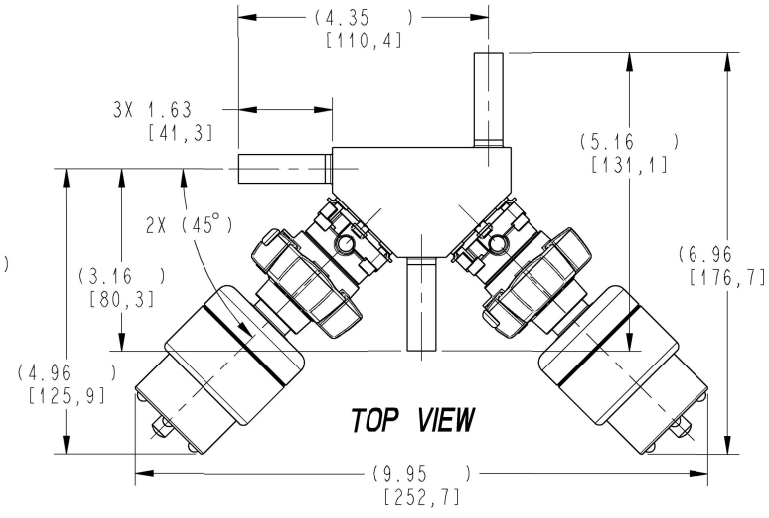
BODY DETAIL DRAWING 124325



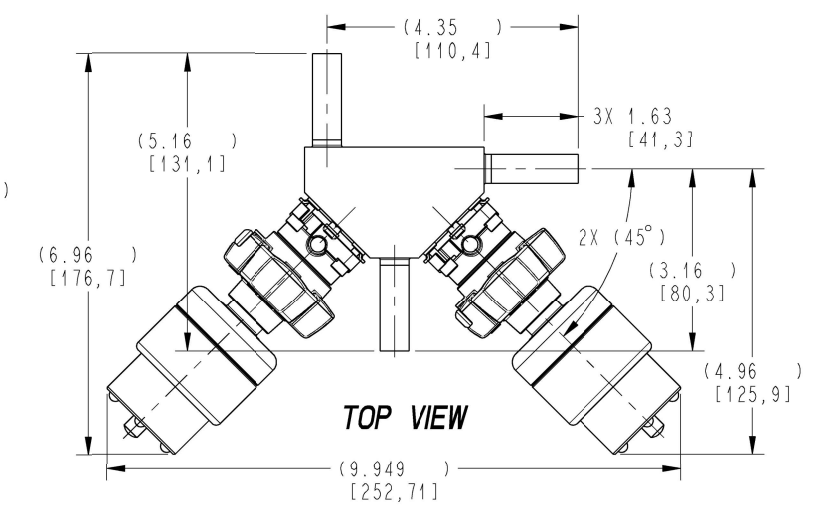
TOP VIEW



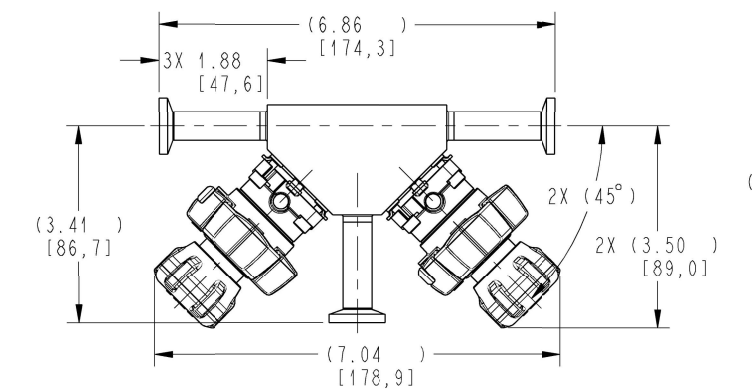
TOP VIEW



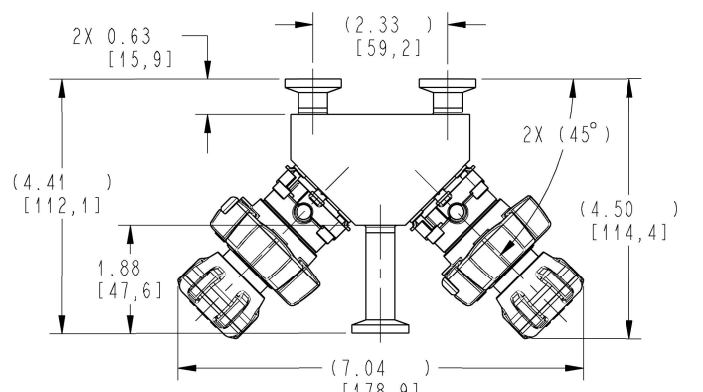
TOP VIEW



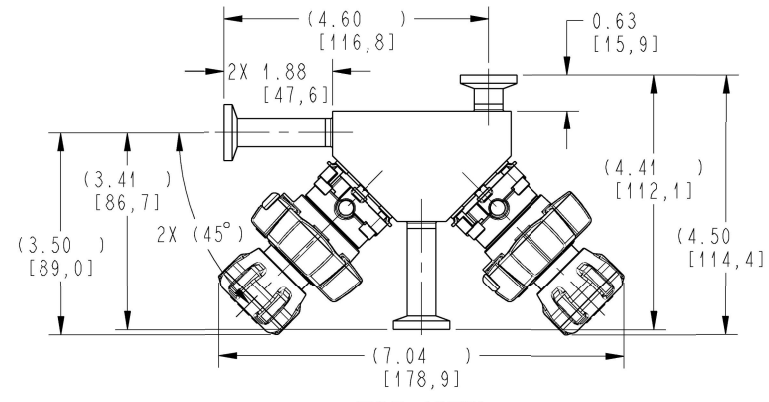
TOP VIEW



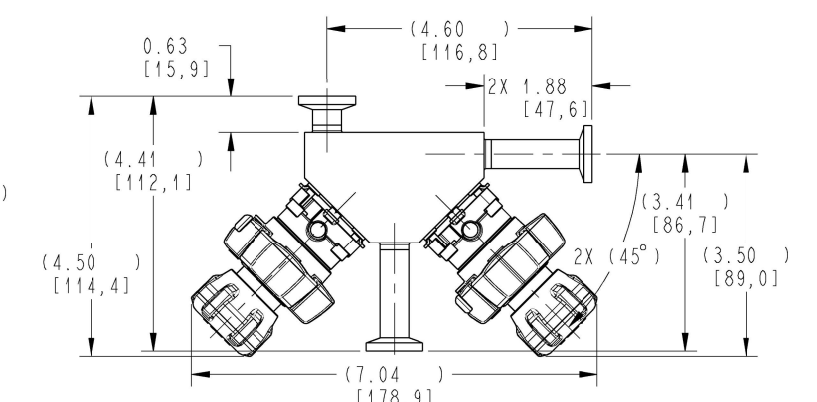
TOP VIEW



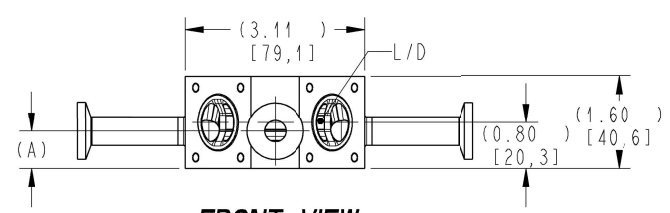
TOP VIEW



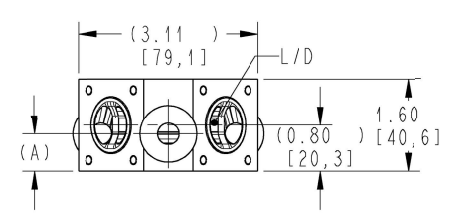
TOP VIEW



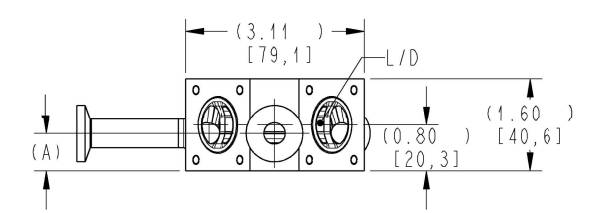
TOP VIEW



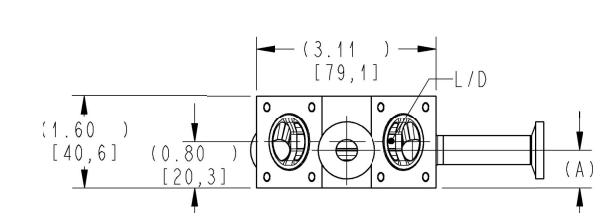
FRONT VIEW



FRONT VIEW



FRONT VIEW



FRONT VIEW

PURE-FLO ORDER: - ITEM: -
 CUSTOMER: -
 CUSTOMER PO: -
 OTHER INFO: -

THIS DOCUMENT IS THE SOLE PROPERTY OF ITT CORPORATION, OR ITS SUBSIDIARY, AND IS PROVIDED SUBJECT TO RETURN. IT IS ISSUED IN STRICT CONFIDENCE AND SHALL NOT BE REPRODUCED, OR COPIED, OR DISCLOSED IN WHOLE OR IN PART, OR USED AS THE BASIS FOR THE MANUFACTURE OR SALES OF APPARATUS OR PARTS TO WHICH THE DOCUMENT RELATES, WITHOUT THE EXPRESS WRITTEN CONSENT OF ITT CORPORATION, OR ITS SUBSIDIARY. THIS LEGEND SHALL BE MARKED ON ANY REPRODUCTION HEREOF, IN WHOLE OR IN PART. ALL RIGHTS TO THE INFORMATION AND DESIGN DISCLOSED HEREIN ARE RESERVED TO ITT CORPORATION, OR ITS SUBSIDIARY.

THIRD ANGLE PROJECTION	UNLESS OTHERWISE NOTED	DATE	BY
	INCH	DWN 03/27/19	LFV
	MM	CHKD 03/27/19	MMA
UNLESS OTHERWISE SPECIFIED, ALL DIMENSIONS ARE IN INCHES		APVD 03/27/19	MMA

2-WAY DIVERT
 BIOVIZION ASSY.
 MASTER DWG: A31440/-
 ECN# 17543

ITT
 www.ittpureflo.com
 SHEET 1 OF 1
 REV -
 D A31440
 ISSUE BY: -
 CERT BY: -