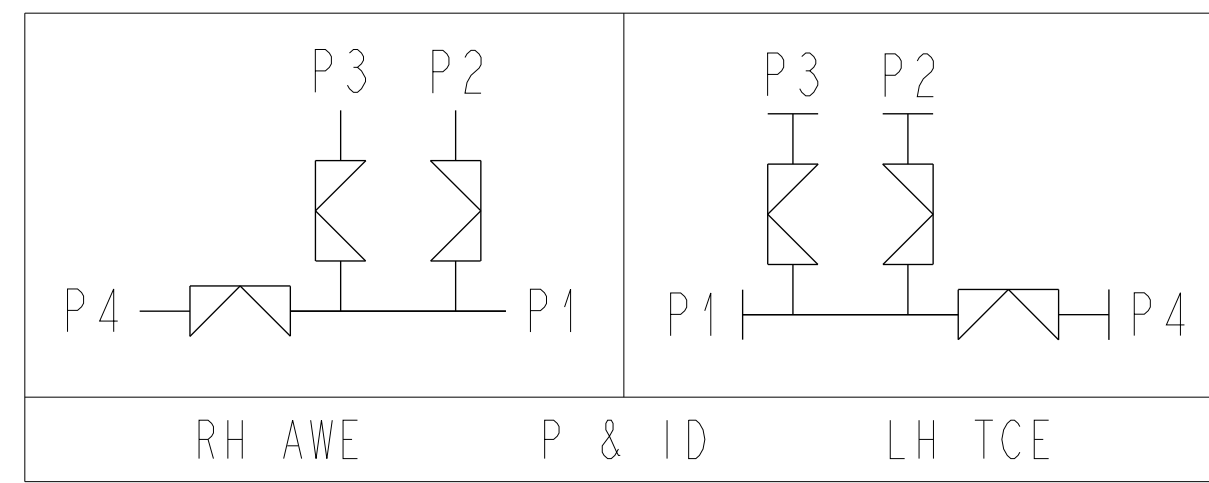


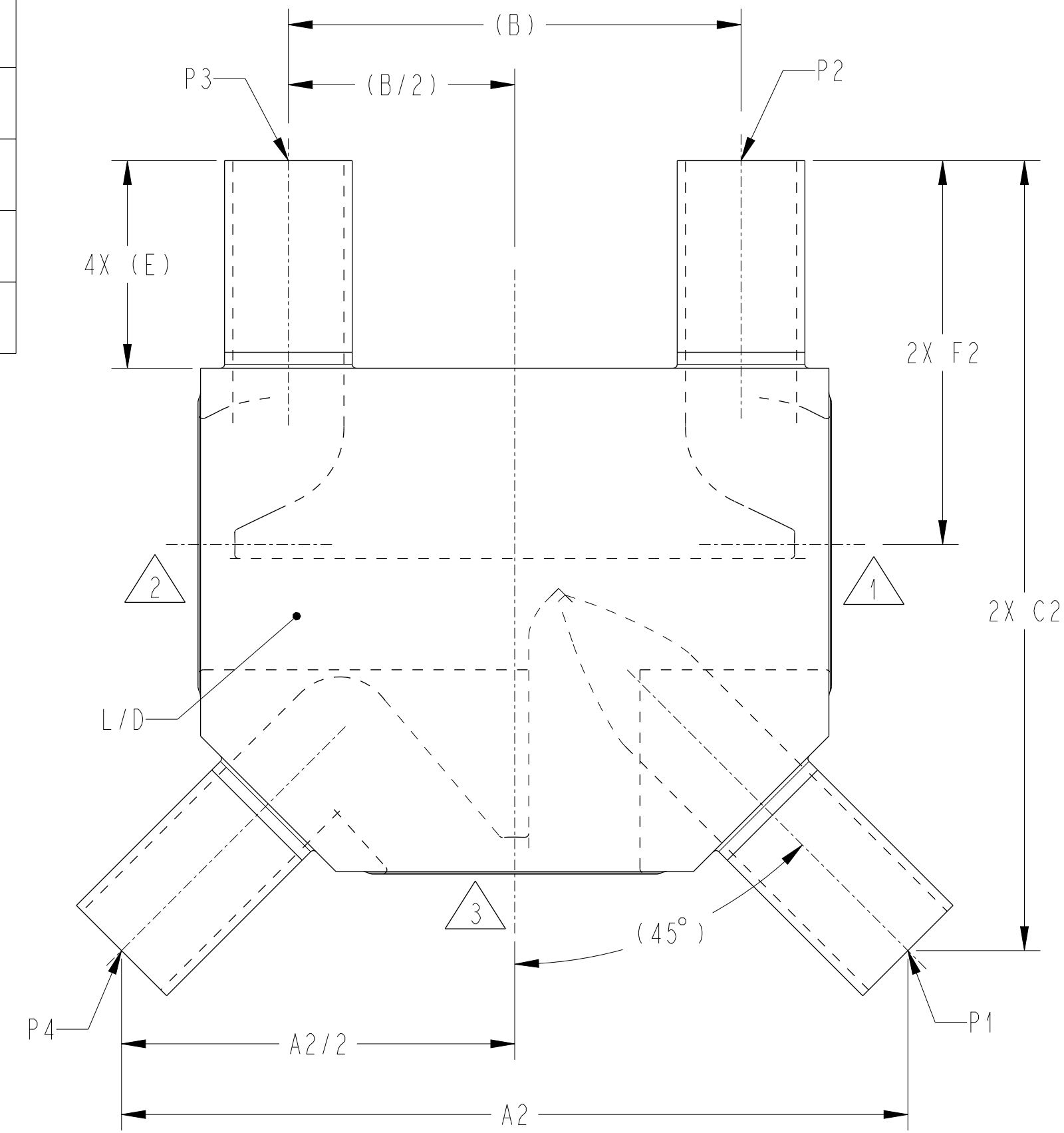
ASSY.	A1	A2	(B)	C1	C2	(D)	(E)	F1	F2	(G)	(H)	L/D
1/2" EZ	5.40 [137,2]	5.05 [128,3]	(2.67) [67,9]	4.96 [125,9]	5.15 [130,8]	(1.88) [47,6]	(1.63) [41,3]	2.28 [57,8]	2.65 [67,2]	(2.60) [66,0]	(0.28) [7,0]	3.5
3/4"R EZ	5.62 [142,6]	5.26 [133,7]	(2.79) [70,8]	5.06 [128,6]	5.26 [133,5]	(1.88) [47,6]	(1.63) [41,3]	2.28 [57,8]	2.65 [67,2]	(2.60) [66,0]	(0.15) [3,8]	2.6
3/4" EZ	6.34 [160,9]	5.98 [151,9]	(3.51) [89,1]	5.90 [149,9]	6.10 [154,8]	(1.88) [47,6]	(1.63) [41,3]	2.64 [66,9]	3.01 [76,3]	(4.00) [101,6]	(0.59) [14,9]	3.0
1" EZ	6.51 [165,4]	6.16 [156,4]	(3.55) [90,1]	5.99 [152,2]	6.18 [157,1]	(1.88) [47,6]	(1.63) [41,3]	2.64 [66,9]	3.01 [76,3]	(4.00) [101,6]	(0.46) [11,7]	2.4
1-1/2" EZ	8.01 [203,3]	7.65 [194,4]	(4.77) [121,1]	7.39 [187,7]	7.58 [192,6]	(1.88) [47,6]	(1.63) [41,3]	3.21 [81,4]	3.58 [90,8]	(5.38) [136,7]	(0.53) [13,3]	2.2
2" EZ	9.13 [231,8]	8.42 [213,9]	(5.04) [127,9]	8.30 [210,8]	8.56 [217,5]	(2.38) [60,3]	(1.88) [47,6]	3.24 [82,2]	3.86 [97,9]	(5.89) [149,6]	(0.39) [9,9]	1.8

[2]

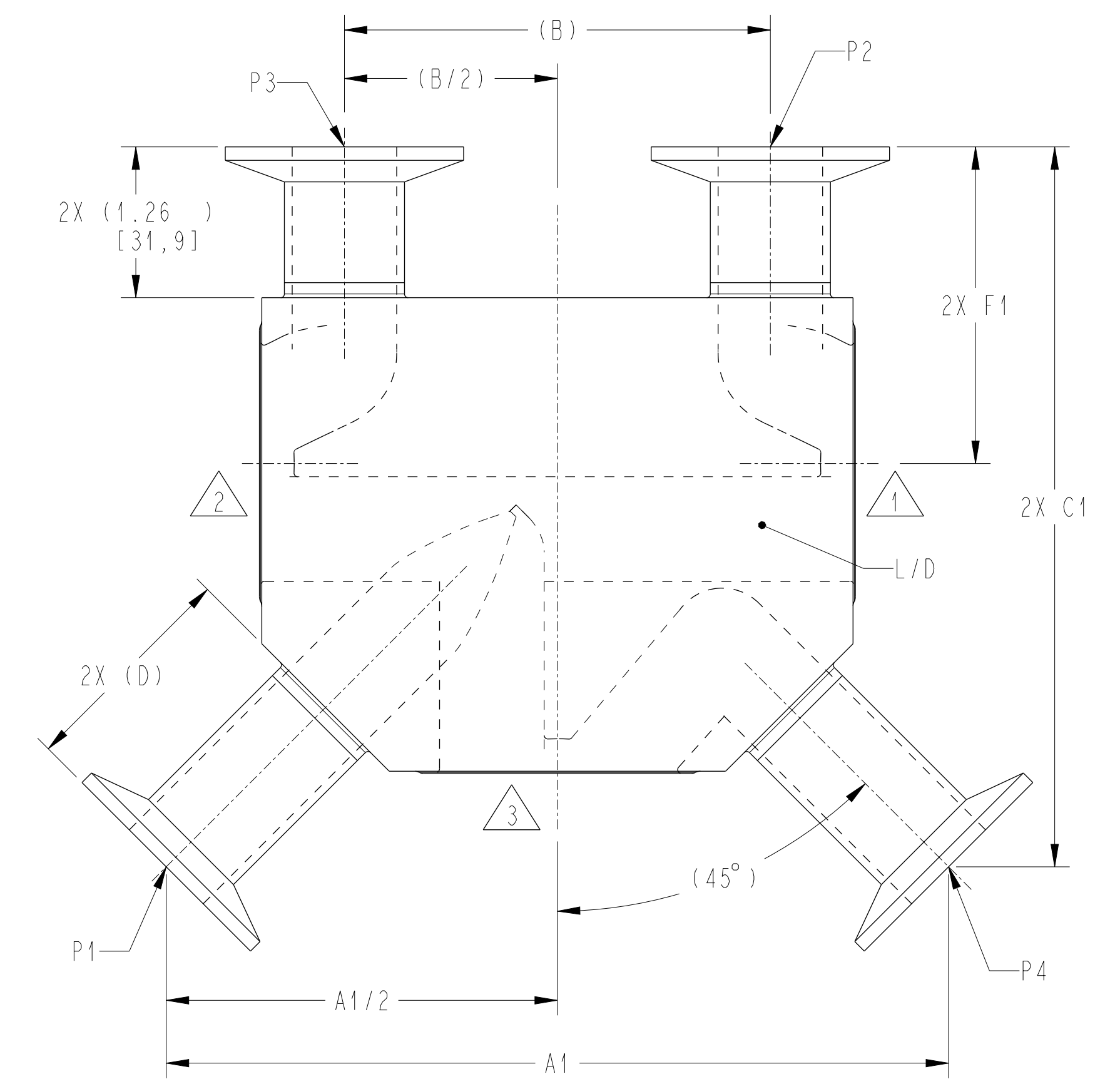
TAG NUMBERS			
VALVE ASSY	FIRST VALVE	SECOND VALVE	THIRD VALVE



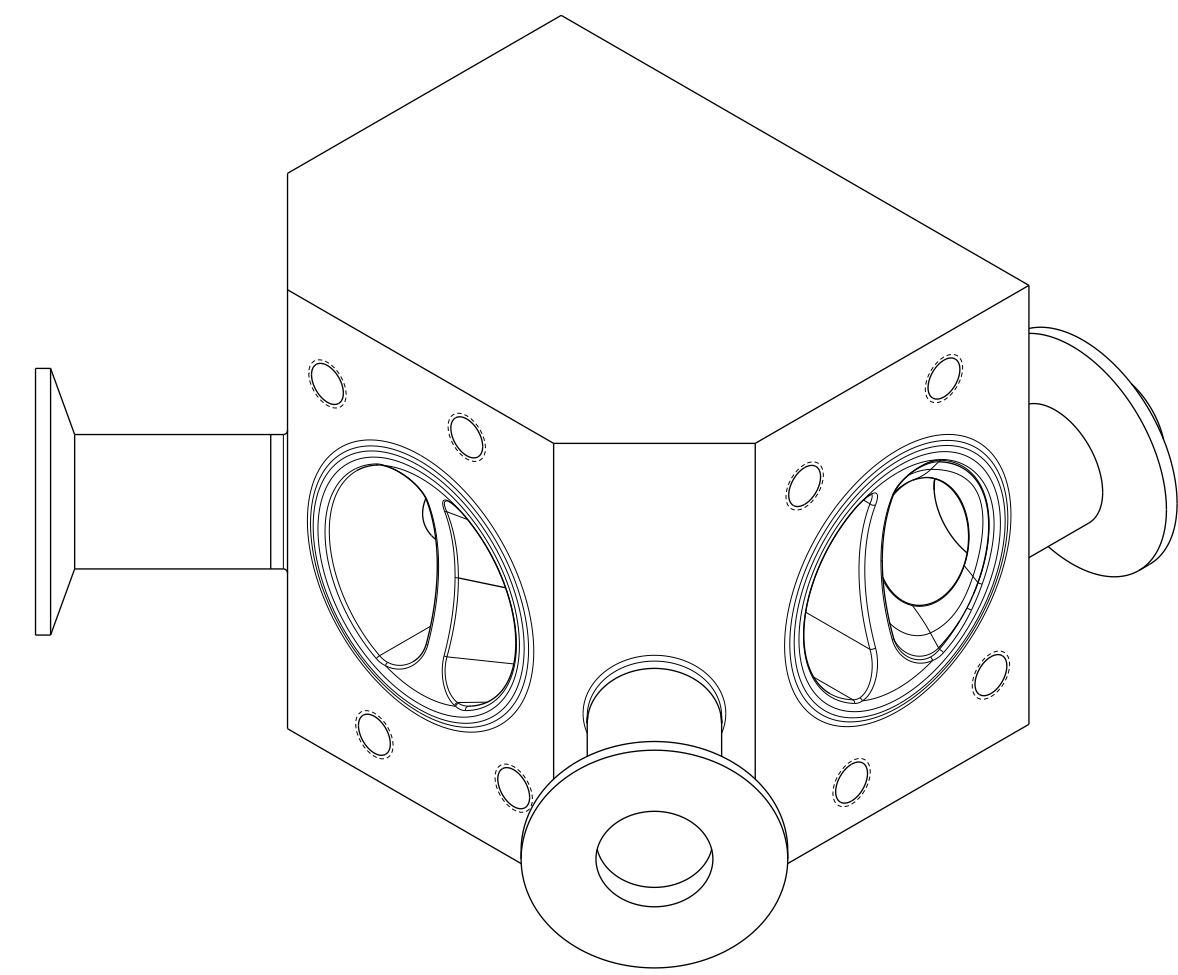
NOTE: (UNLESS OTHERWISE SPECIFIED)
 1. BODY DRAWING NUMBER K31572A
 2. WORST CASE L/D LISTED
 FOR RH, L/D VALVE 2 TO COMMON CHAMBER.
 FOR LH, L/D VALVE 1 TO COMMON CHAMBER.



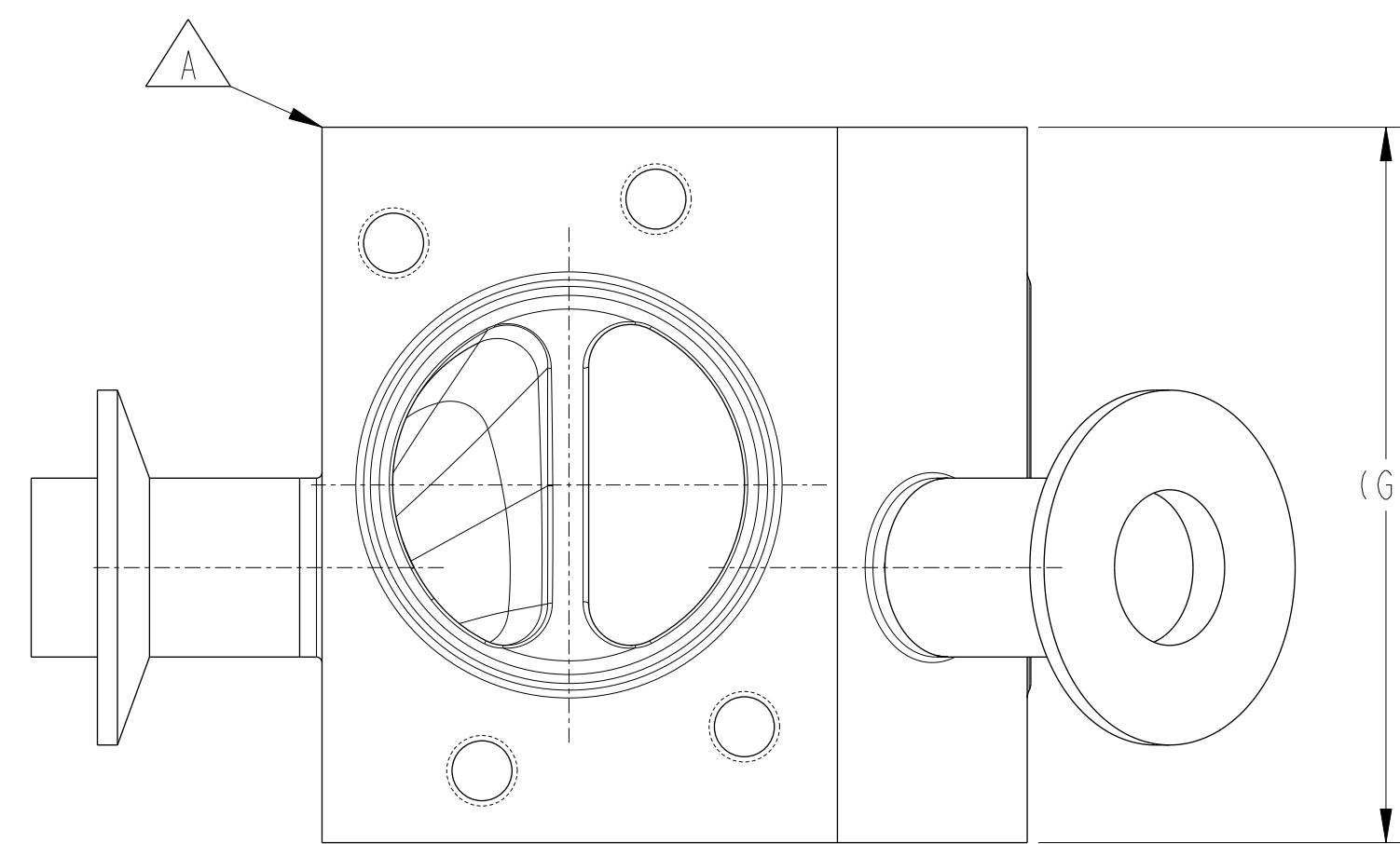
TOP VIEW
RH SHOWN W/ AWE



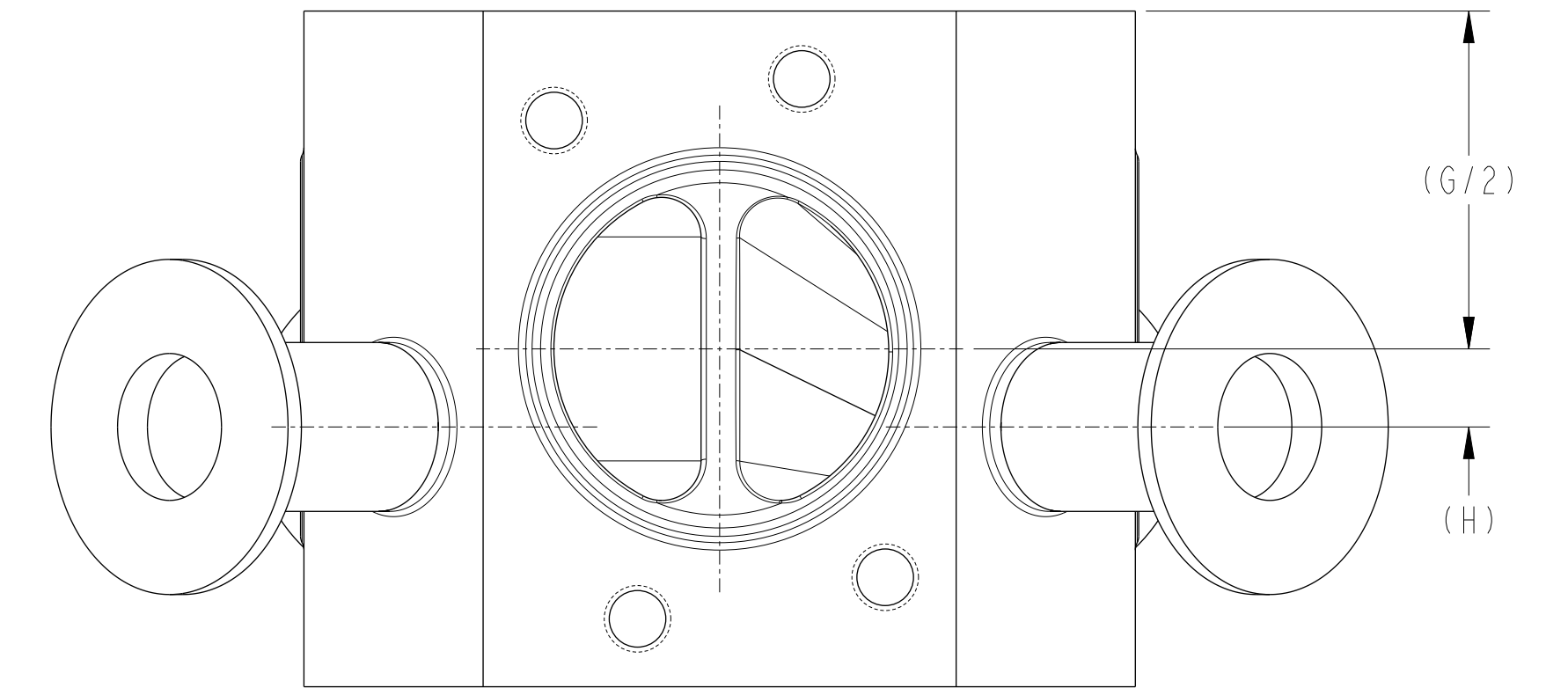
TOP VIEW
LH SHOWN W/ TCE



ISOMETRIC VIEW



SIDE VIEW



FRONT VIEW
INSTALLATION ORIENTATION

PURE-FLO ORDER: - ITEM: -
 CUSTOMER: -
 CUSTOMER PO: -
 OTHER INFO: -

THIS DOCUMENT IS THE SOLE PROPERTY OF ITT CORPORATION, OR ITS SUBSIDIARY, AND IS PROVIDED SUBJECT TO RETURN. IT IS ISSUED IN STRICT CONFIDENCE AND SHALL NOT BE REPRODUCED, OR COPIED, OR DISCLOSED IN WHOLE OR IN PART, OR USED AS THE BASIS FOR THE MANUFACTURE OR SALES OF APPARATUS OR PARTS TO WHICH THE DOCUMENT RELATES, WITHOUT THE EXPRESS WRITTEN CONSENT OF ITT CORPORATION, OR ITS SUBSIDIARY. THIS LEGEND SHALL BE MARKED ON ANY REPRODUCTION HEREOF, IN WHOLE OR IN PART. ALL RIGHTS TO THE INFORMATION AND DESIGN DISCLOSED HEREIN ARE RESERVED TO ITT CORPORATION, OR ITS SUBSIDIARY.

THIRD ANGLE PROJECTION		UNLESS OTHERWISE NOTED	
		INCH	MM
x	±	0.06	1.5
.x	±	0.06	1.5
.xxx	±	0.02	1.5
x/x	±	1/16	1.5
x°	±	1°	1°

UNLESS OTHERWISE SPECIFIED, ALL DIMENSIONS ARE IN INCHES

DATE	BY	1/2" - 2" SIZE ON SIZE
03/14/22	LFV	3-WAY DIVERT VALVE
03/14/22	KRP	HORIZONTAL, ENVIZION
03/14/22	TJS	BODY ASSY.

MASTER DWG: A31691A/- ECN# 18725

		Pure-Flo www.ittpureflo.com	
D	A31691A	SHEET	REV
		1 OF 1	-
ISSUE BY:	CERT BY:		