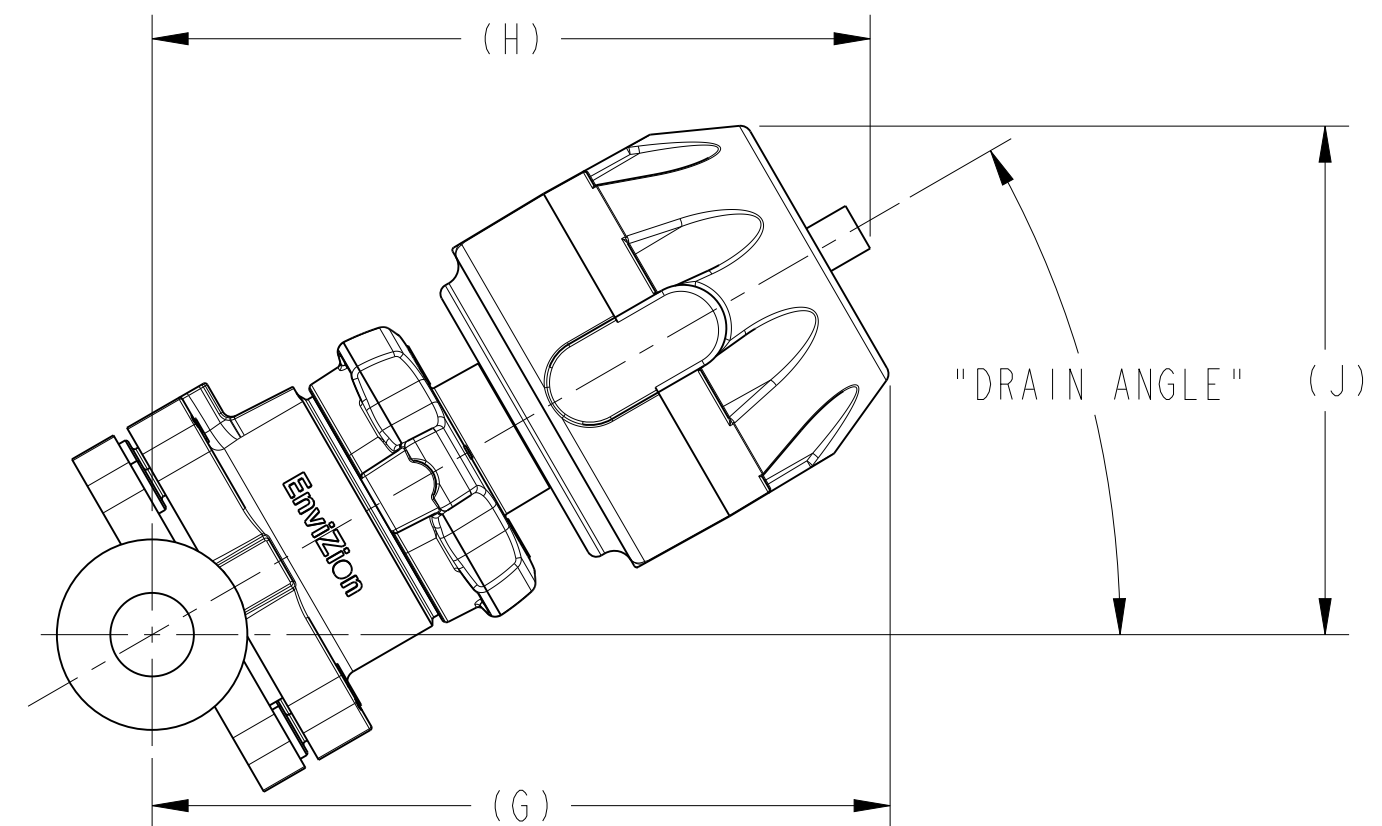
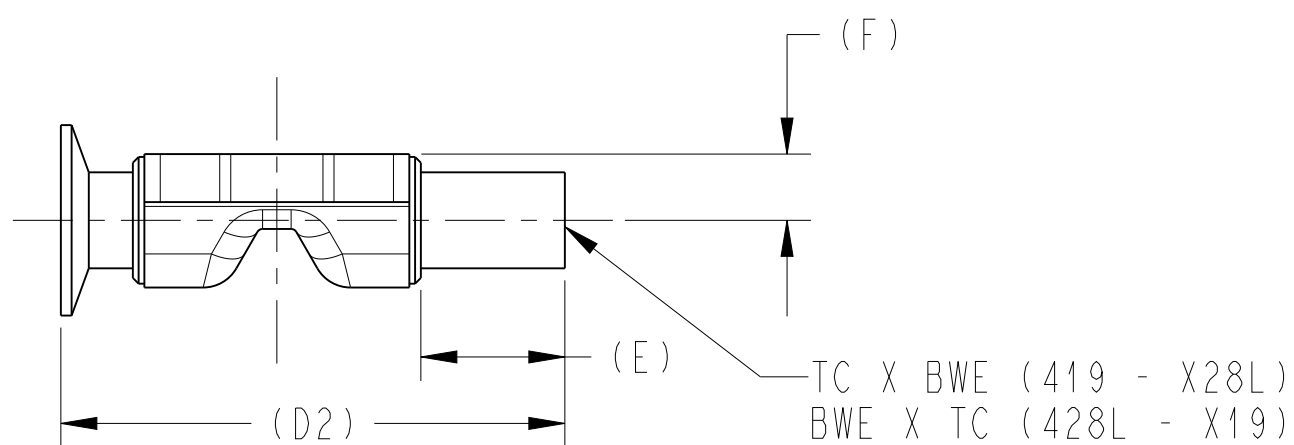
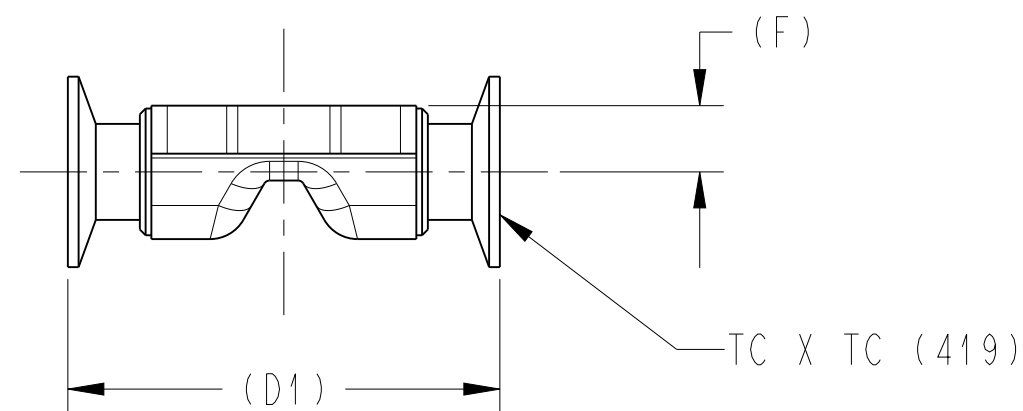
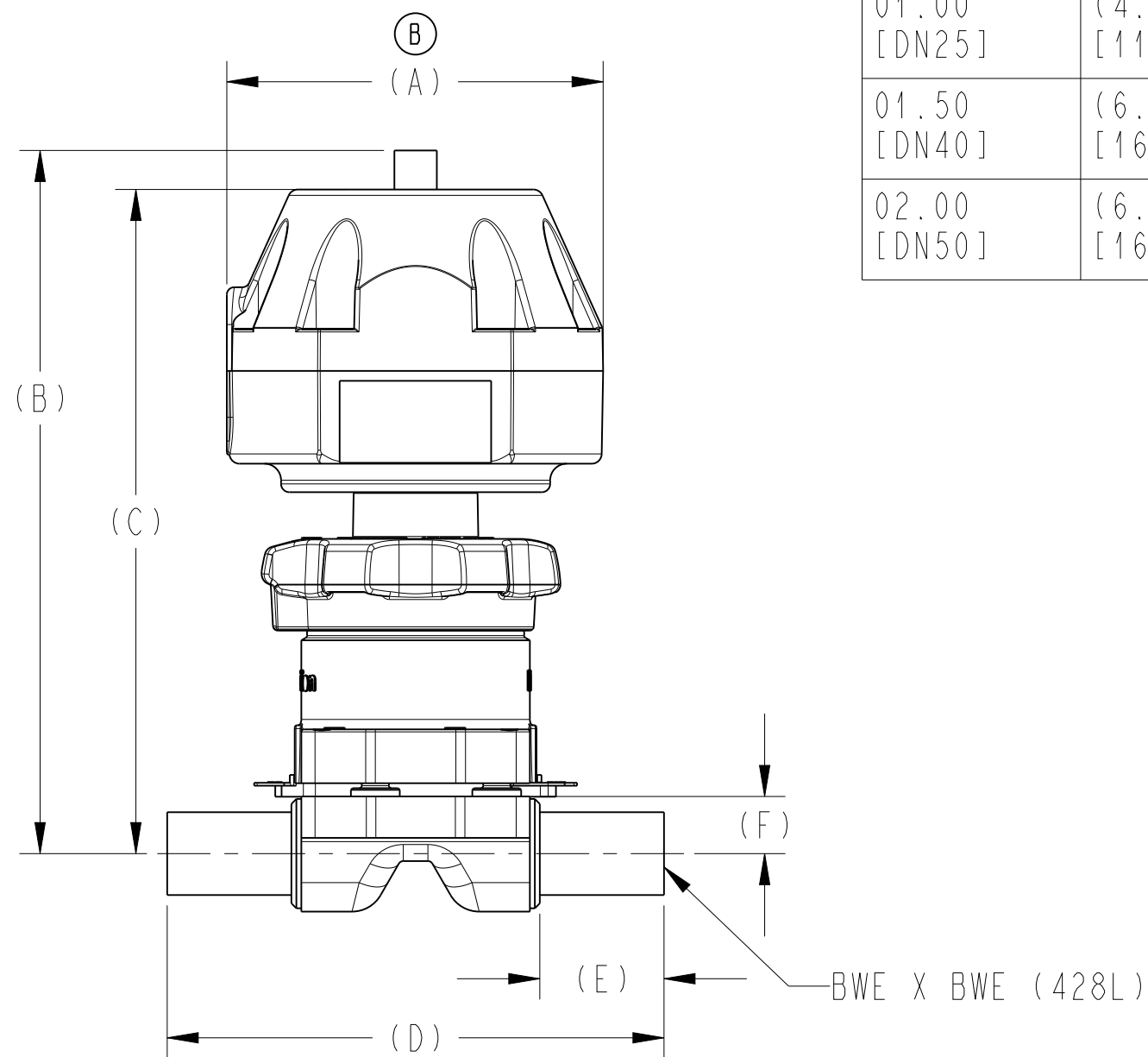


ⓑ

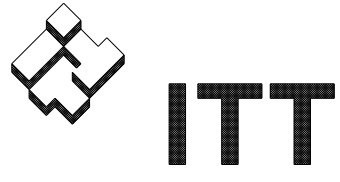
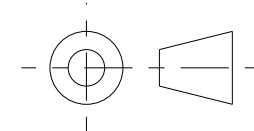
VALVE SIZE	(A)	(B)	(C)	(D)	(D1)	(D2)	(E)	(F)	(G)	(H)	(J)	DRAIN ANGLE
00.75 [DN20]	(4.54) [115,3]	(8.49) [215,6]	(8.02) [203,7]	(6.00) [152,4]	(4.00) [101,6]	(5.00) [127,0]	(1.50) [38,1]	(0.69) [17,5]	(7.36) [187,0]	(7.02) [178,3]	(5.92) [150,3]	(36°)
01.00 [DN25]	(4.54) [115,3]	(8.49) [215,6]	(8.02) [203,7]	(6.00) [152,4]	(4.50) [114,3]	(5.25) [133,4]	(1.50) [38,1]	(0.69) [17,5]	(7.69) [195,3]	(7.48) [190,0]	(5.30) [134,6]	(30°)
01.50 [DN40]	(6.41) [162,8]	(12.74) [323,6]	(11.84) [300,6]	(7.08) [179,8]	(5.50) [139,7]	(6.29) [159,8]	(1.50) [38,1]	(0.98) [24,9]	(11.74) [298,1]	(11.68) [296,7]	(7.17) [182,2]	(25°)
02.00 [DN50]	(6.41) [162,8]	(13.20) [335,2]	(12.11) [307,6]	(7.14) [181,4]	(6.25) [158,8]	(6.70) [170,1]	(1.50) [38,1]	(1.15) [29,2]	(12.22) [310,3]	(12.58) [319,5]	(6.17) [156,8]	(19°)



VALVE ON DRAIN ANGLE

UNLESS OTHERWISE SPECIFIED, ALL DIMENSIONS IN BRACKETS [] ARE MILLIMETERS.

THIS DOCUMENT IS THE SOLE PROPERTY OF ITT CORPORATION, OR ITS SUBSIDIARY, AND IS PROVIDED SUBJECT TO RETURN. IT IS ISSUED IN STRICT CONFIDENCE AND SHALL NOT BE REPRODUCED, OR COPIED, OR DISCLOSED IN WHOLE OR IN PART, OR USED AS THE BASIS FOR THE MANUFACTURE OR SALES OF APPARATUS OR PARTS TO WHICH THE DOCUMENT RELATES, WITHOUT THE EXPRESS WRITTEN CONSENT OF ITT CORPORATION, OR ITS SUBSIDIARY. THIS LEGEND SHALL BE MARKED ON ANY REPRODUCTION HEREOF, IN WHOLE OR IN PART. ALL RIGHTS TO THE INFORMATION AND DESIGN DISCLOSED HEREIN ARE RESERVED TO ITT CORPORATION, OR ITS SUBSIDIARY.

PURE-FLO ORDER: -	ITEM: -	THIRD ANGLE PROJECTION	UNLESS OTHERWISE NOTED	DATE	BY	ENVIZION VALVE OUTLINE	 ITT Pure-Flo www.ittpureflo.com
CUSTOMER: -			INCH MM	DWN 10/12/20	LFV	00.75 - 02.00	
CUSTOMER PO: -			X = ± 0.06	CHKD 10/12/20	KRP	ENVIZION ADVANTAGE ACTUATED	
OTHER INFO: -			.X = ± 0.06	APVD 10/12/20	TJS		
		UNLESS OTHERWISE SPECIFIED, ALL DIMENSIONS ARE IN INCHES/MM	.XX = ± 0.06			MASTER DWG: A31692/B	ECN# 18147
			.XXX = ± 0.02				ISSUED BY: -
			X/X = ± 1/16				CERT BY: -
			X° = ± 1°				
			X° = ± 1°				