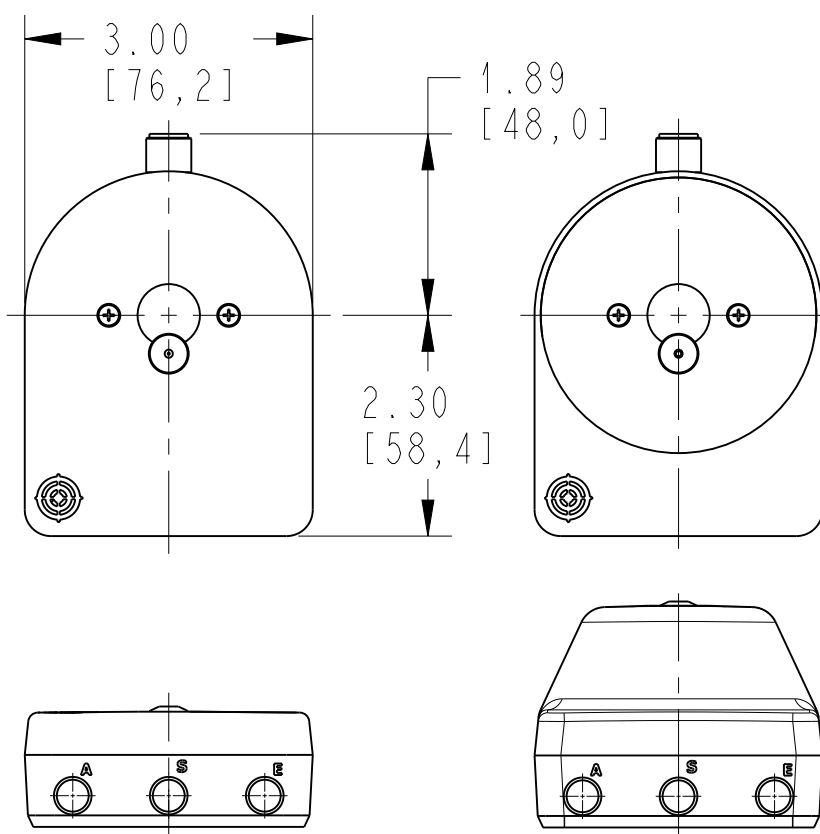
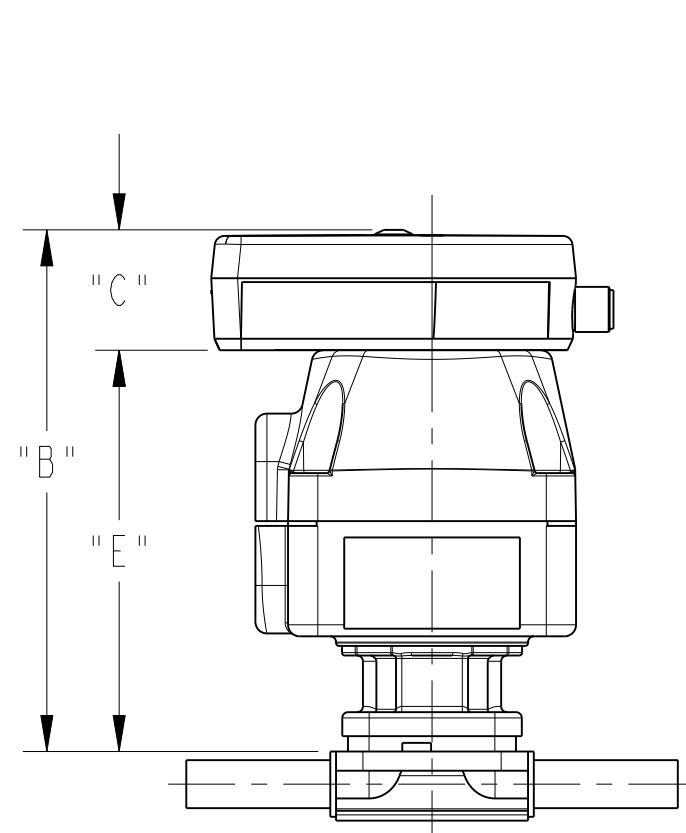


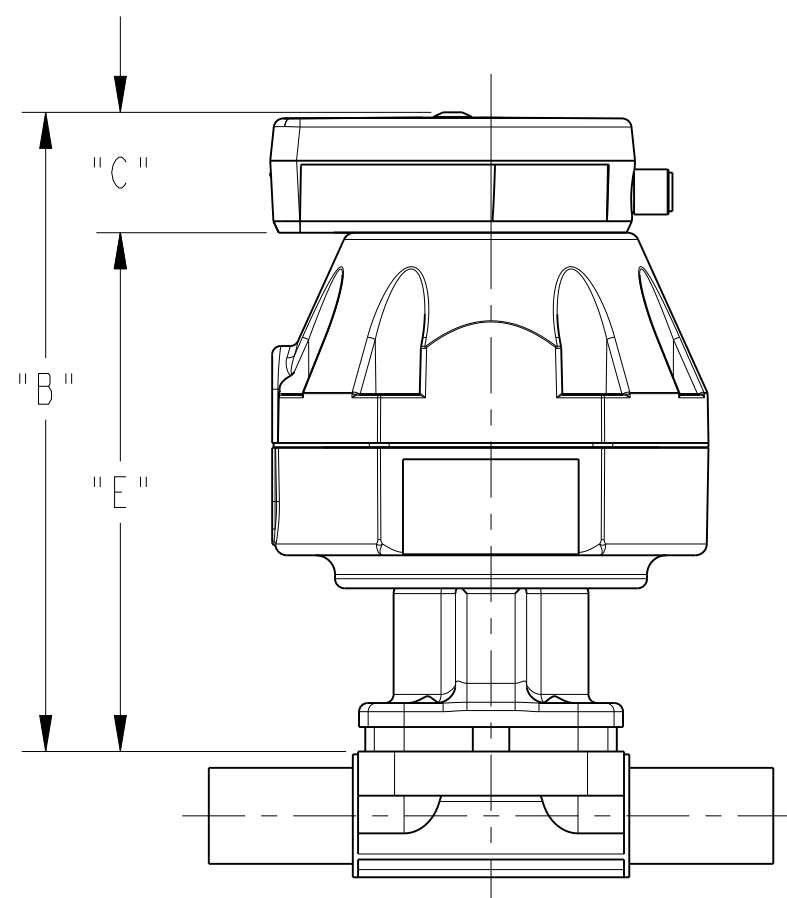
VALVE SIZE	"B"	"C"	"E"
BIO-TEK 00.25 - 00.50 [DN6] - [DN15]	4.90 [124,5]	1.25 [31,8]	3.65 [92,7]
00.50 ADV [DN15]	5.45 [138,4]	1.25 [31,8]	4.20 [106,7]
00.75 ADV [DN20]	6.40 [162,6]	1.25 [31,8]	5.15 [130,8]
01.00 ADV [DN25]	6.57 [166,9]	1.25 [31,8]	5.32 [135,1]
01.50 ADV [DN40]	10.53 [267,5]	1.87 [47,6]	8.66 [220,0]
02.00 ADV [DN50]	10.53 [267,5]	1.87 [47,6]	8.66 [220,0]
02.50 ADV 33 [DN65]	15.47 [392,9]	2.97 [75,5]	12.50 [317,5]
03.00 ADV 33 [DN80]	15.47 [392,9]	2.97 [75,5]	12.50 [317,5]
04.00 ADV 33 [DN100]	16.05 [407,7]	2.97 [75,5]	13.08 [332,1]



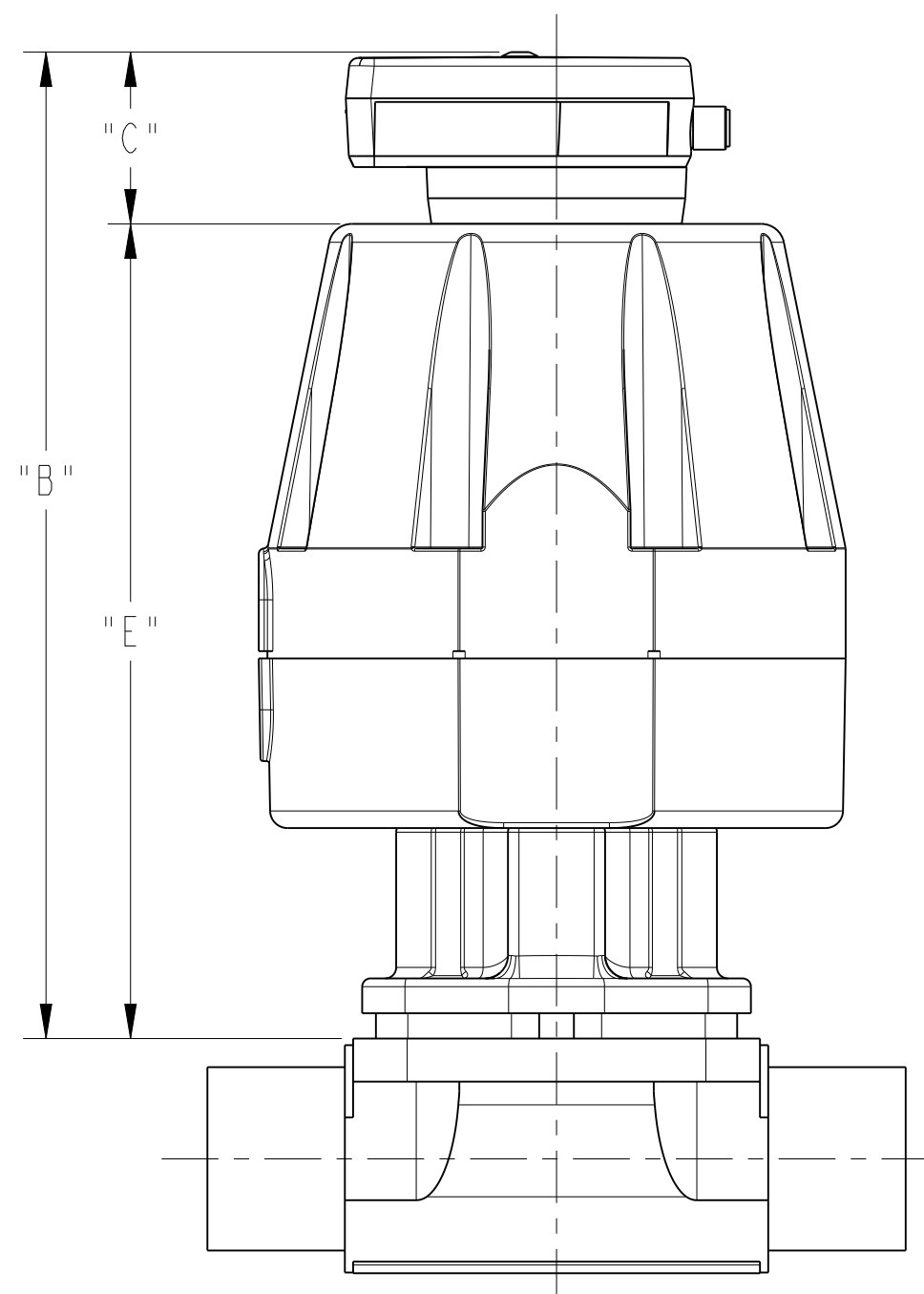
OPTIONAL SOLENOID CONNECTIONS 1/8 NPT



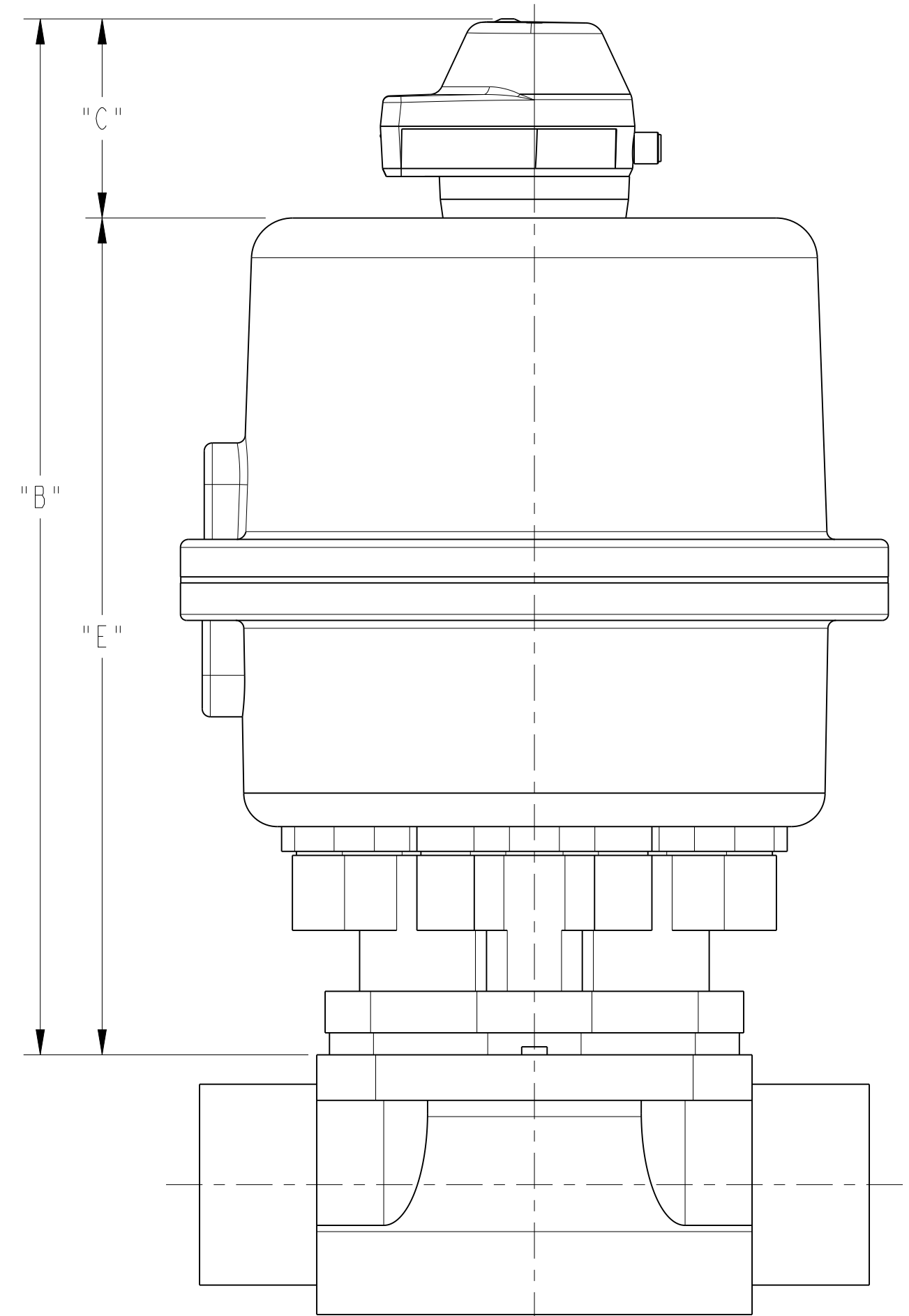
SIZES 00.25 - 00.50
31 ADV
36 ADV



SIZES 00.75 - 01.00
31 ADV
36 ADV



SIZES 01.50 - 02.00
31 ADV
36 ADV



SIZES 02.50 - 04.00
ADV 33 SERIES

THIS DOCUMENT IS THE SOLE PROPERTY OF ITT CORPORATION, OR ITS SUBSIDIARY, AND IS PROVIDED SUBJECT TO RETURN. IT IS ISSUED IN STRICT CONFIDENCE AND SHALL NOT BE REPRODUCED, OR COPIED, OR DISCLOSED IN WHOLE OR IN PART, OR USED AS THE BASIS FOR THE MANUFACTURE OR SALES OF APPARATUS OR PARTS TO WHICH THE DOCUMENT RELATES, WITHOUT THE EXPRESS WRITTEN CONSENT OF ITT CORPORATION, OR ITS SUBSIDIARY. THIS LEGEND SHALL BE MARKED ON ANY REPRODUCTION HEREOF, IN WHOLE OR IN PART. ALL RIGHTS TO THE INFORMATION AND DESIGN DISCLOSED HEREIN ARE RESERVED TO ITT CORPORATION, OR ITS SUBSIDIARY.

PURE-FLO ORDER: -	ITEM: -	THIRD ANGLE PROJECTION	UNLESS OTHERWISE NOTED	DATE	BY	TOPWORKS OUTLINE	 Pure-Flo www.ittpureflo.com								
CUSTOMER: -			INCH MM	DWN 06/05/20	MDY	W/ ISP SWITCH & ADV ACTR									
CUSTOMER PO: -			X = ± 0.06	CHKD 06/05/20	RRK	00.25 - 04.00	<table border="1"> <tr> <td>C</td> <td>A32000</td> <td>SHEET</td> <td>REV</td> </tr> <tr> <td></td> <td></td> <td>1 OF 1</td> <td>-</td> </tr> </table>	C	A32000	SHEET	REV			1 OF 1	-
C	A32000	SHEET	REV												
		1 OF 1	-												
OTHER INFO: -		UNLESS OTHERWISE SPECIFIED, ALL DIMENSIONS ARE IN -	.X = ± 0.06	APVD 06/05/20	TJS	MASTER DWG: -/-									
			.XX = ± 0.06			ECN# 17751	ISSUED BY: -								
			.XXX = ± 0.02				CERT BY: -								
			X/X = ± 1/16												
			X° = ± 5°												
			X° = ± 1°												