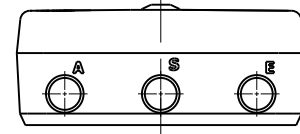
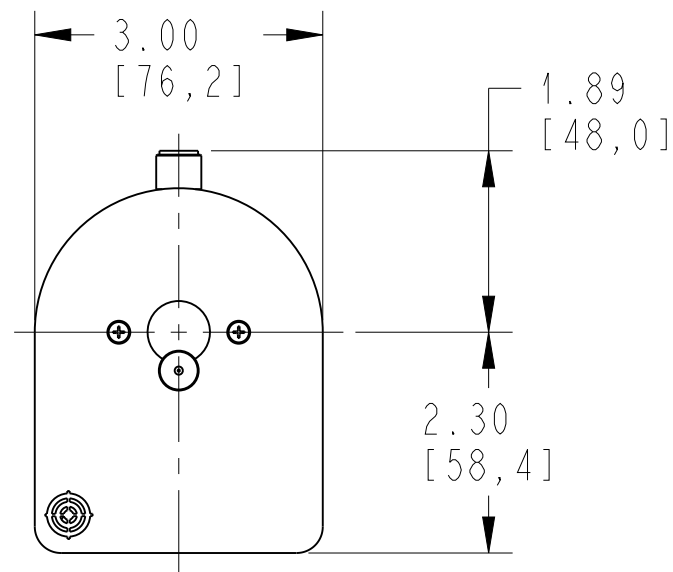
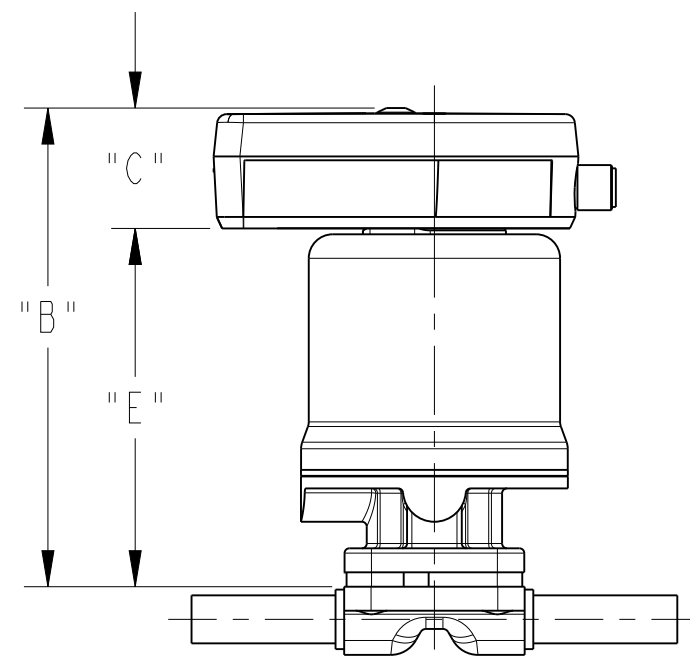


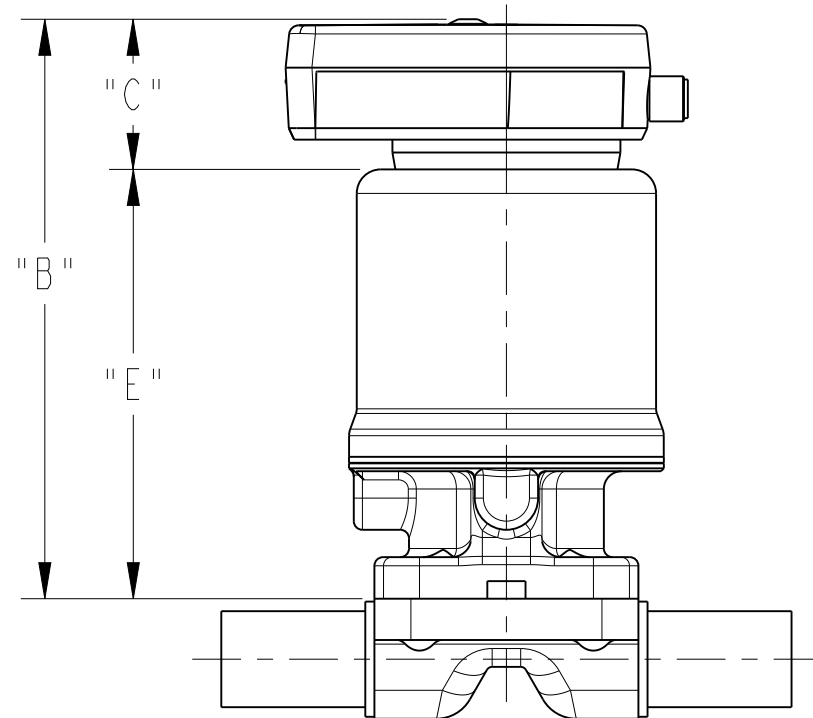
VALVE SIZE	"B"	"C"	"E"
00.50 [DN15]	4.99 [126,6]	1.25 [31,8]	3.73 [94,8]
00.75 [DN20]	5.91 [150,1]	1.56 [39,7]	4.35 [110,4]
01.00 [DN25]	6.04 [153,3]	1.56 [39,7]	4.47 [113,6]
01.50 [DN40]	9.77 [248,1]	1.87 [47,6]	7.90 [200,5]
02.00 [DN50]	10.05 [255,2]	1.99 [50,6]	8.06 [204,6]



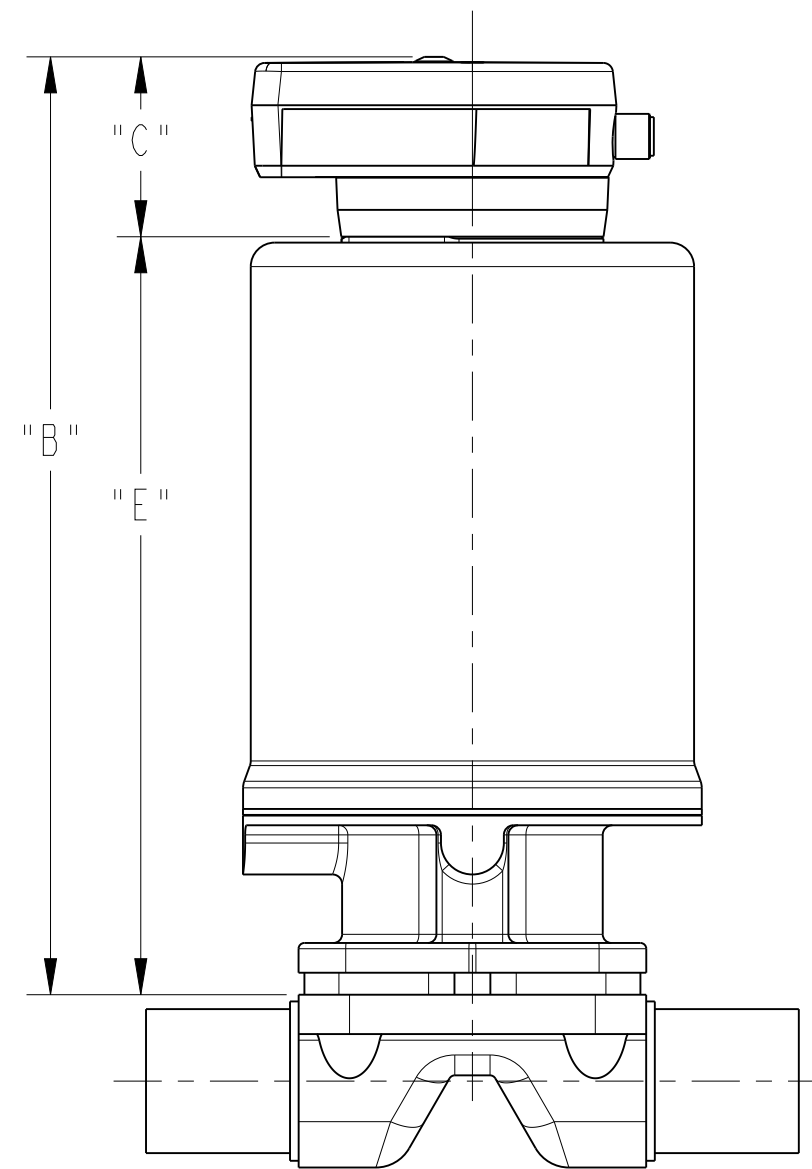
OPTIONAL SOLENOID
CONNECTIONS 1/8 NPT



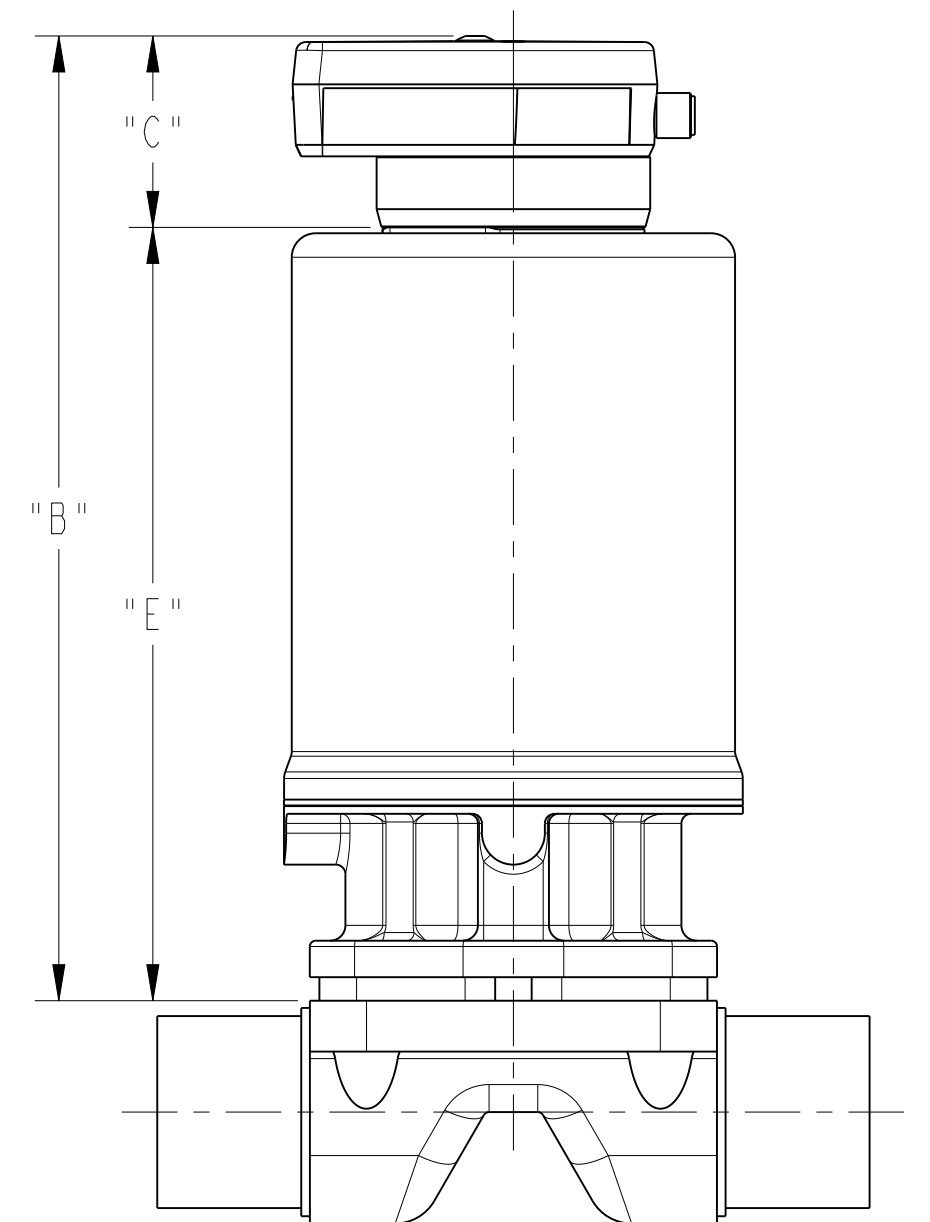
00.50 ACS



00.75 ACS
01.00 ACS


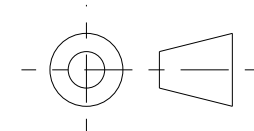


01.50 ACS



02.00 ACS

THIS DOCUMENT IS THE SOLE PROPERTY OF ITT CORPORATION, OR ITS SUBSIDIARY, AND IS PROVIDED SUBJECT TO RETURN. IT IS ISSUED IN STRICT CONFIDENCE AND SHALL NOT BE REPRODUCED, OR COPIED, OR DISCLOSED IN WHOLE OR IN PART, OR USED AS THE BASIS FOR THE MANUFACTURE OR SALES OF APPARATUS OR PARTS TO WHICH THE DOCUMENT RELATES, WITHOUT THE EXPRESS WRITTEN CONSENT OF ITT CORPORATION, OR ITS SUBSIDIARY. THIS LEGEND SHALL BE MARKED ON ANY REPRODUCTION HEREOF, IN WHOLE OR IN PART. ALL RIGHTS TO THE INFORMATION AND DESIGN DISCLOSED HEREIN ARE RESERVED TO ITT CORPORATION, OR ITS SUBSIDIARY.

PURE-FLO ORDER: -	ITEM: -	THIRD ANGLE PROJECTION	UNLESS OTHERWISE NOTED	DATE	BY	TOPWORKS OUTLINE	 ITT Pure-Flo www.ittpureflo.com																																
CUSTOMER: -			<table border="1"> <thead> <tr> <th colspan="2">INCH</th> <th colspan="2">MM</th> </tr> </thead> <tbody> <tr> <td>X</td> <td>± 0.06</td> <td>X</td> <td>± 1,5</td> </tr> <tr> <td>.X</td> <td>± 0.06</td> <td>.X</td> <td>± 1,5</td> </tr> <tr> <td>.XX</td> <td>± 0.06</td> <td>.XX</td> <td>± 1,5</td> </tr> <tr> <td>.XXX</td> <td>± 0.02</td> <td>.XXX</td> <td>± 1,5</td> </tr> <tr> <td>X/X</td> <td>± 1/16</td> <td></td> <td></td> </tr> <tr> <td>X°</td> <td>± 1°</td> <td>X°</td> <td>± 1°</td> </tr> <tr> <td>X°</td> <td>± 1°</td> <td>X°</td> <td>± 1°</td> </tr> </tbody> </table>	INCH		MM		X	± 0.06	X	± 1,5	.X	± 0.06	.X	± 1,5	.XX	± 0.06	.XX	± 1,5	.XXX	± 0.02	.XXX	± 1,5	X/X	± 1/16			X°	± 1°	X°	± 1°	X°	± 1°	X°	± 1°	DWN	06/05/20	MDY	W/ ISP SWITCH & ACS ACTR
INCH		MM																																					
X	± 0.06	X	± 1,5																																				
.X	± 0.06	.X	± 1,5																																				
.XX	± 0.06	.XX	± 1,5																																				
.XXX	± 0.02	.XXX	± 1,5																																				
X/X	± 1/16																																						
X°	± 1°	X°	± 1°																																				
X°	± 1°	X°	± 1°																																				
CUSTOMER PO: -				CHKD	07/13/20	TJS	00.50 - 02.00																																
OTHER INFO: -		UNLESS OTHERWISE SPECIFIED, ALL DIMENSIONS ARE IN INCHES		APVD	07/13/20	TJS																																	
				MASTER DWG: -/-		ECN# 17751	ISSUED BY: -																																
							CERT BY: -																																
							<table border="1"> <tr> <td>C</td> <td>A32001</td> <td>SHEET</td> <td>REV</td> </tr> <tr> <td></td> <td></td> <td>1 OF 1</td> <td>-</td> </tr> </table>	C	A32001	SHEET	REV			1 OF 1	-																								
C	A32001	SHEET	REV																																				
		1 OF 1	-																																				