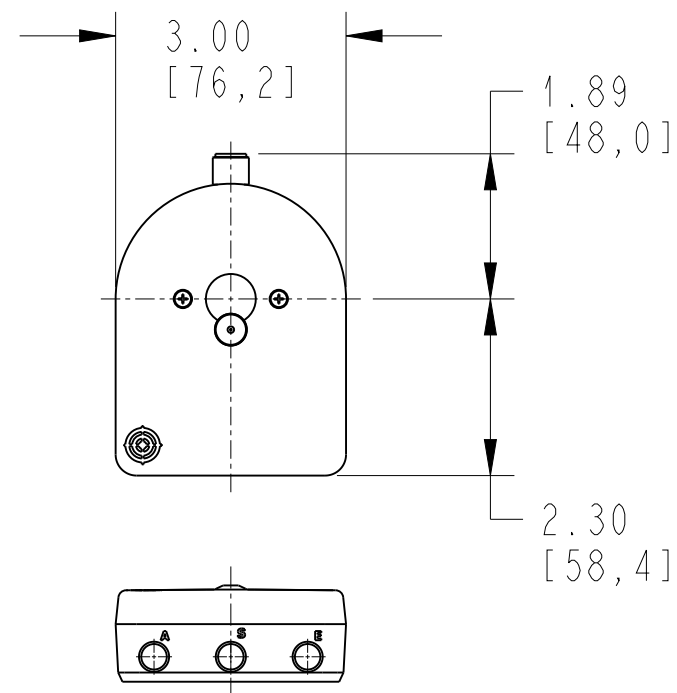
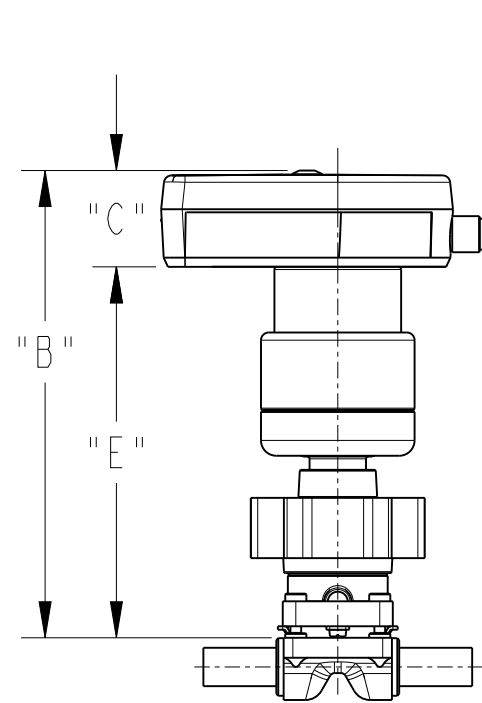
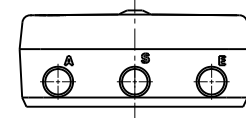


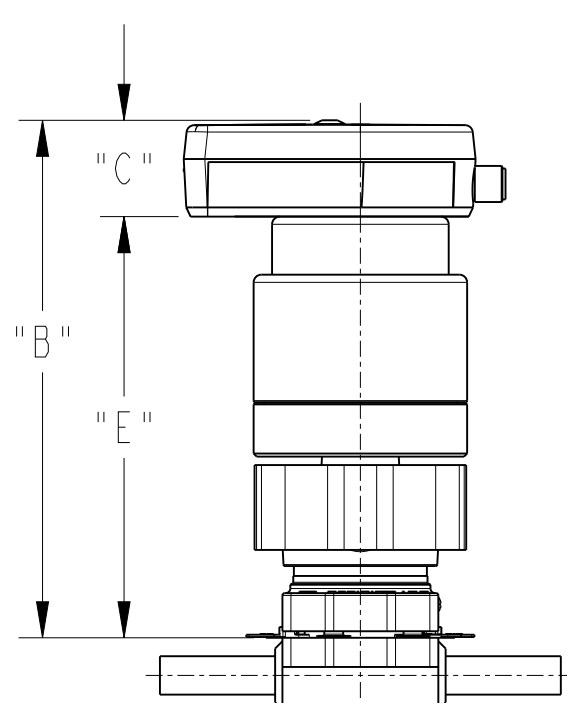
VALVE SIZE	"B"	"C"	"E"
BIOVIZION 00.25 - 00.50 [DN6] - [DN15]	6.08 [154,4]	1.25 [31,8]	4.83 [122,7]
00.50 ENV [DN15]	6.74 [171,2]	1.25 [31,8]	5.48 [139,2]
00.75R ENV [DN20]	6.74 [171,2]	1.25 [31,8]	5.48 [139,2]
00.75 ENV [DN20]	8.07 [205,0]	1.25 [31,8]	6.82 [173,2]
01.00 ENV [DN25]	8.07 [205,0]	1.25 [31,8]	6.82 [173,2]
01.50 ENV [DN40]	12.07 [306,6]	1.87 [47,6]	10.20 [259,1]
02.00 ENV [DN50]	12.21 [310,1]	1.87 [47,6]	10.34 [262,6]
00.75 ADV ENV [DN20]	8.58 [217,9]	1.25 [31,8]	7.33 [186,2]
01.00 ADV ENV [DN25]	8.58 [217,9]	1.25 [31,8]	7.33 [186,2]
01.50 ADV ENV [DN25]	12.73 [323,3]	1.87 [47,6]	10.85 [275,6]
02.00 ADV ENV [DN25]	12.84 [326,1]	1.87 [47,6]	10.96 [278,4]



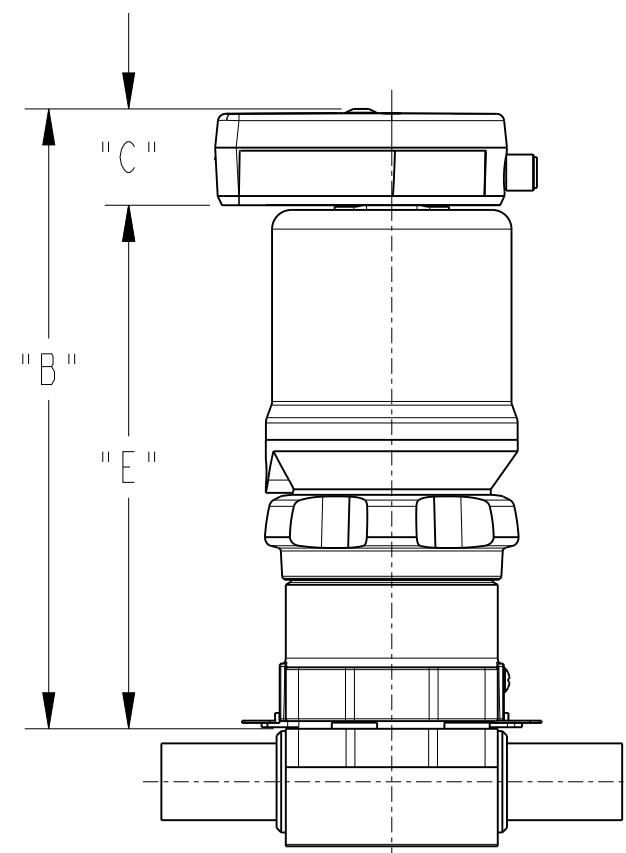
OPTIONAL SOLENOID  
CONNECTIONS 1/8 NPT



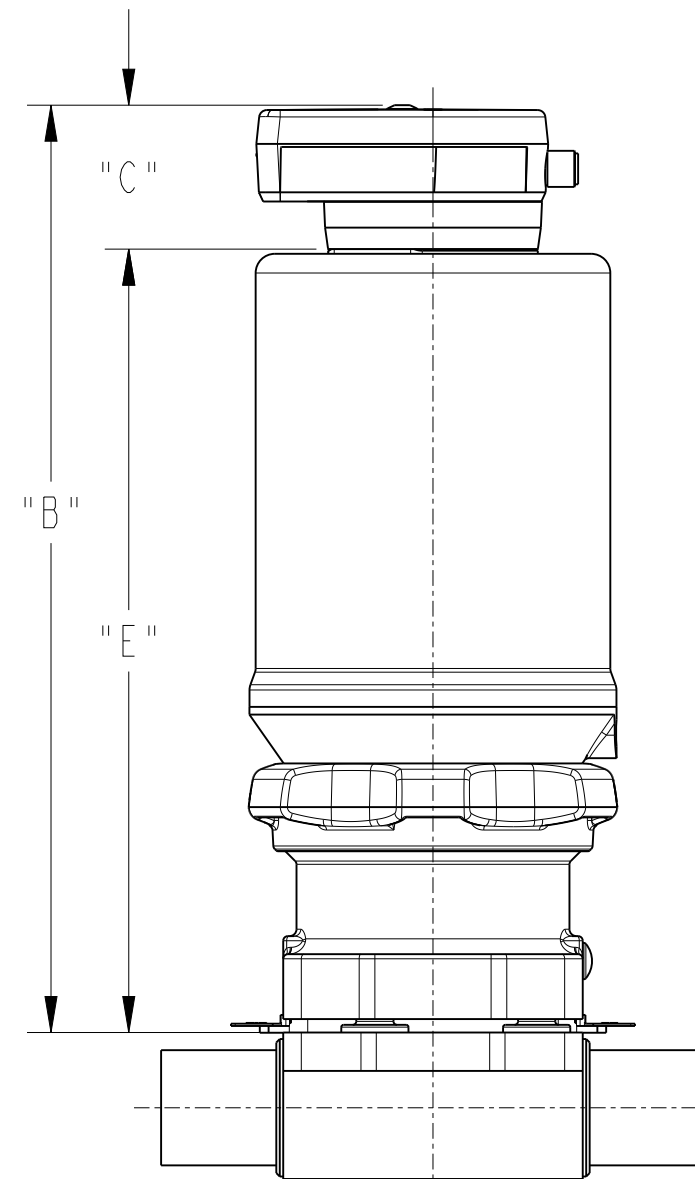
**SIZES 00.25 - 00.50  
BIOVIZION  
ZA**



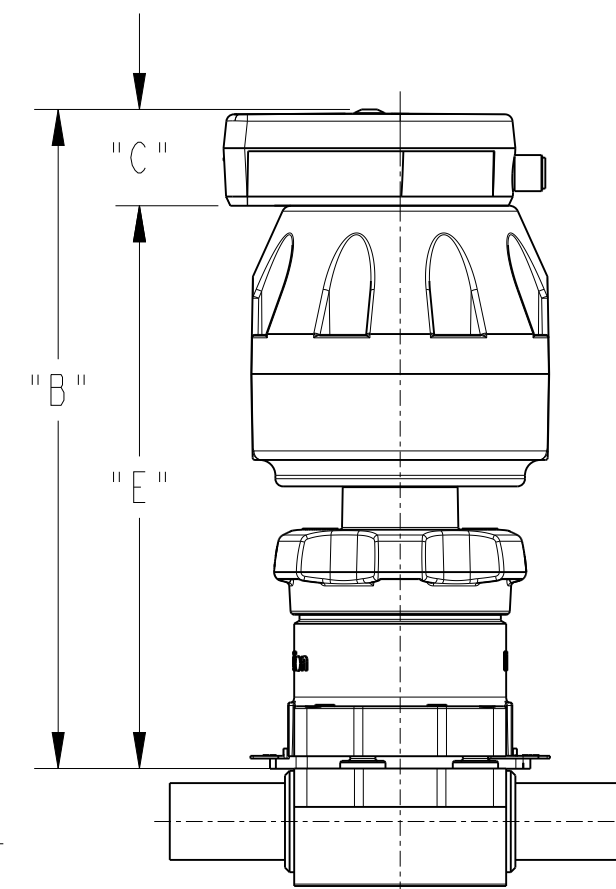
**SIZES 00.50 - 00.75R  
ENVIZION  
ZA**



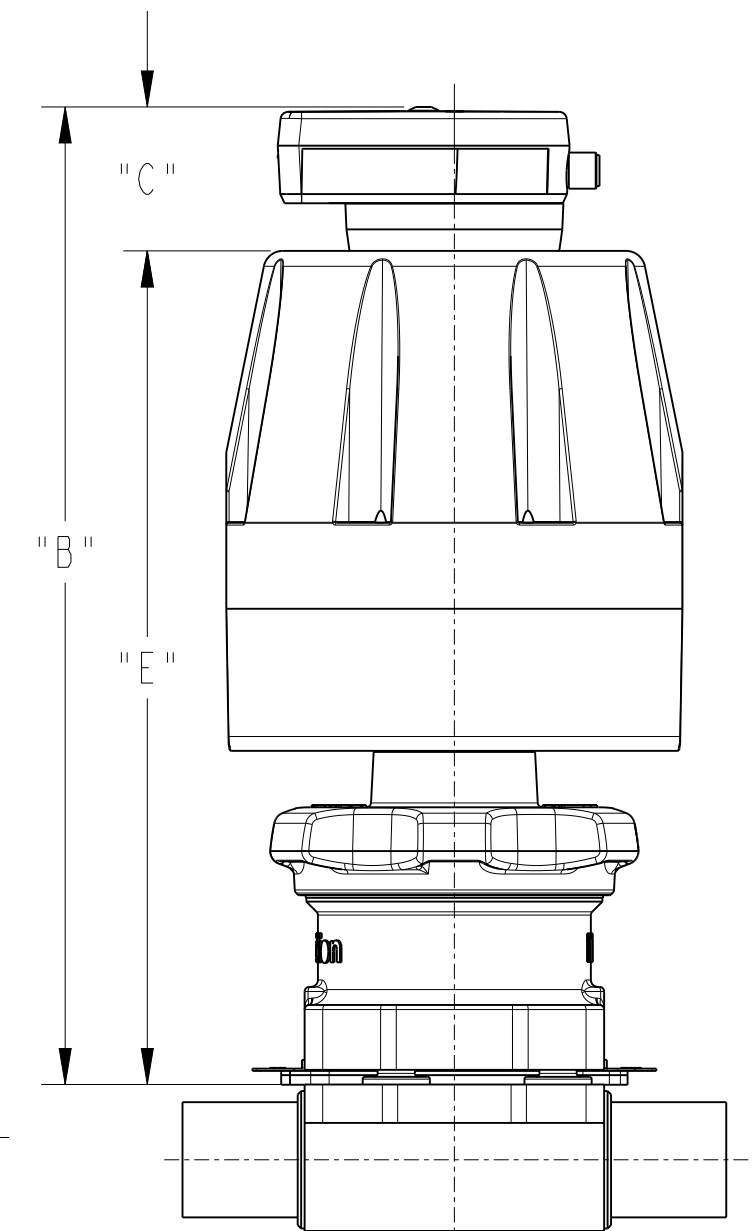
**SIZES 00.75 - 01.00  
ENVIZION  
ZA**



**SIZES 01.50 - 02.00  
ENVIZION  
ZA**



**SIZES 00.75 - 01.00  
ADV ENVIZION  
ZB**



**SIZES 01.50 - 02.00  
ADV ENVIZION  
ZB**

THIS DOCUMENT IS THE SOLE PROPERTY OF ITT CORPORATION, OR ITS SUBSIDIARY, AND IS PROVIDED SUBJECT TO RETURN. IT IS ISSUED IN STRICT CONFIDENCE AND SHALL NOT BE REPRODUCED, OR COPIED, OR DISCLOSED IN WHOLE OR IN PART, OR USED AS THE BASIS FOR THE MANUFACTURE OR SALES OF APPARATUS OR PARTS TO WHICH THE DOCUMENT RELATES, WITHOUT THE EXPRESS WRITTEN CONSENT OF ITT CORPORATION, OR ITS SUBSIDIARY. THIS LEGEND SHALL BE MARKED ON ANY REPRODUCTION HEREOF, IN WHOLE OR IN PART. ALL RIGHTS TO THE INFORMATION AND DESIGN DISCLOSED HEREIN ARE RESERVED TO ITT CORPORATION, OR ITS SUBSIDIARY.

PURE-FLO ORDER: -	ITEM: -	THIRD ANGLE PROJECTION	UNLESS OTHERWISE NOTED	DATE	BY	ENVIZION VALVE OUTLINE		<b>Pure-Flo</b> www.ittpureflo.com
CUSTOMER: -			INCH      MM	DWN 06/05/20	MDY	W/ ISP SWITCH & ENVIZION ACTR		
CUSTOMER PO: -			X = ± 0.06 .X = ± 0.06 .XX = ± 0.06 .XXX = ± 0.02 X/X = ± 1/16 X° = ± 5°	CHKD 06/05/20	RRK	BIOVIZION 00.25 - 00.50	C	A32002
OTHER INFO: -		UNLESS OTHERWISE SPECIFIED, ALL DIMENSIONS ARE IN INCHES	X = ± 1.5 .X = ± 1.5 .XX = ± 1.5 X° = ± 5°	APVD 06/05/20	TJS	ENVIZION 00.50 - 02.00		
				MASTER DWG: -/-		ADV ENVIZION 00.75 - 02.00	ISSUED BY: -	CERT BY: -
				ECN# 17751				