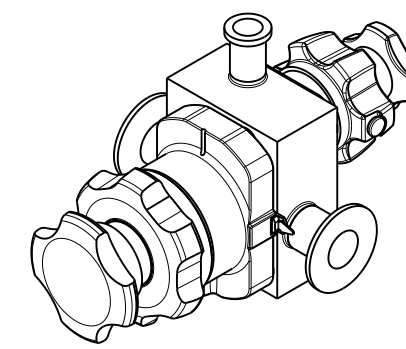
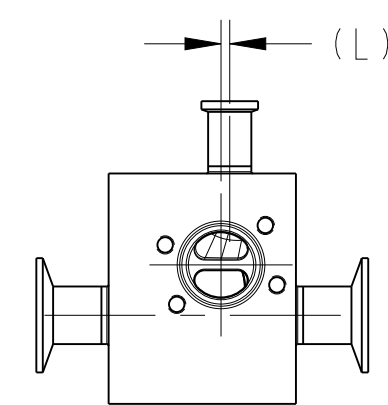
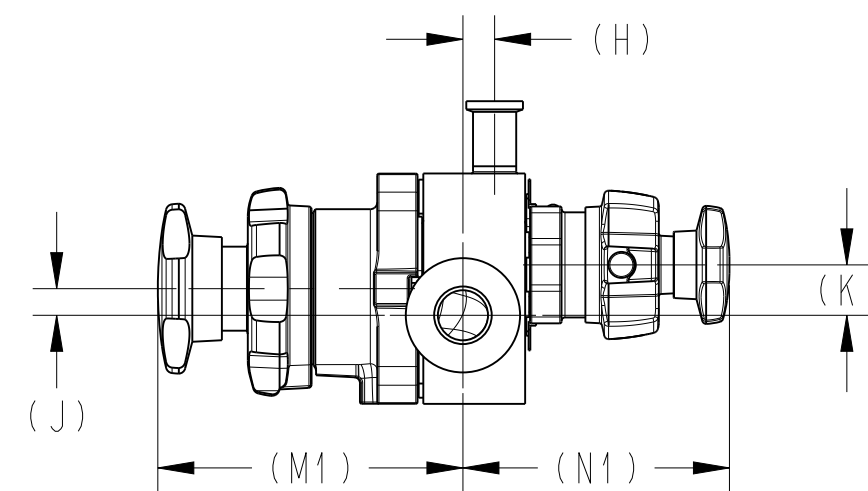
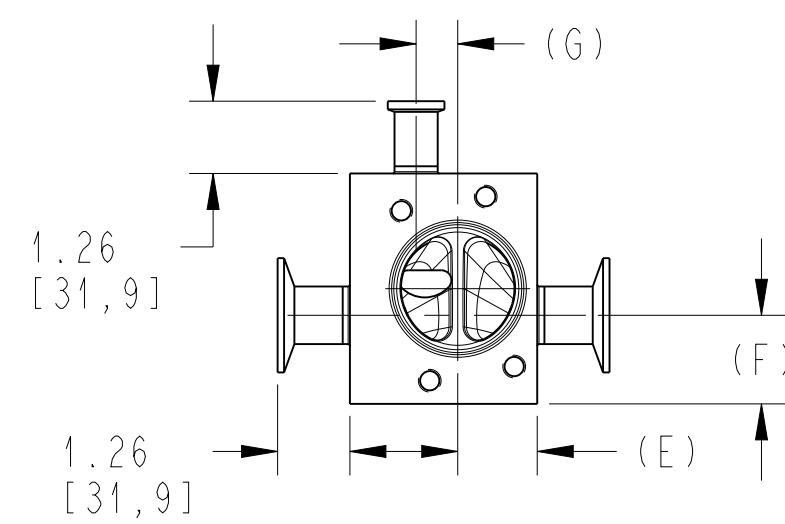
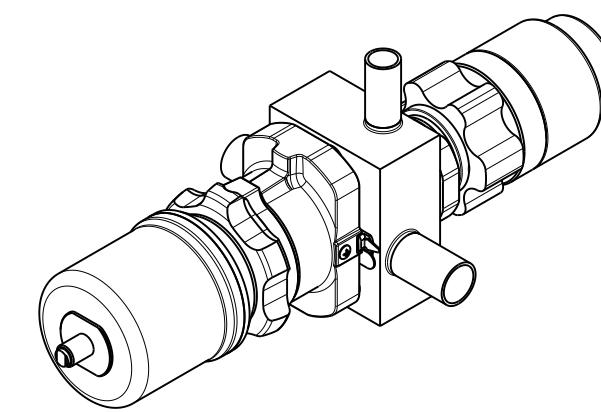
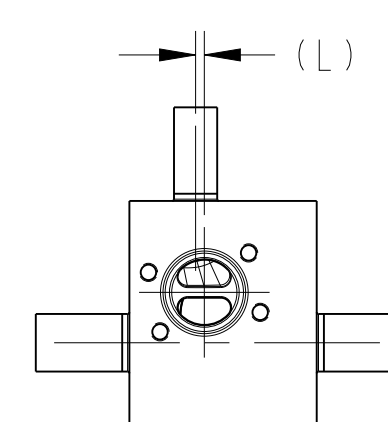
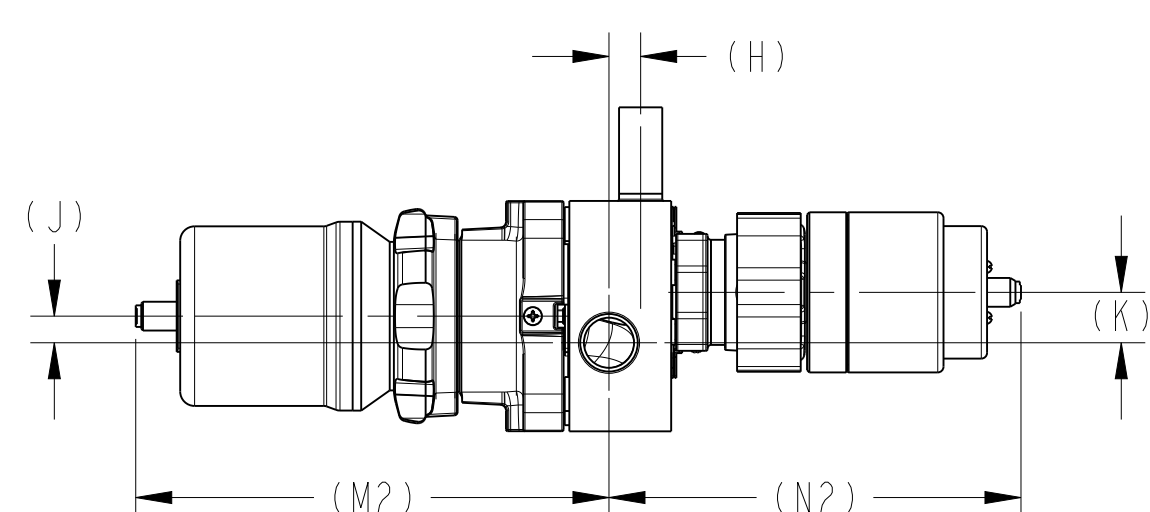
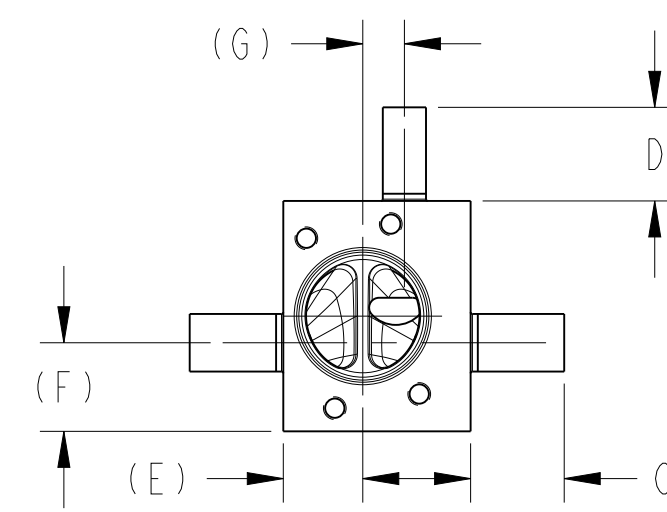


MAIN X PURGE	(A1)	(A2)	(A3)	(B1)	(B2)	C	D	(E)	(F)	(G)	(H)	(J)	(K)	(L)	(M1)	(M2)	(N1)	(N2)
1/2" X 1/2"	(5.39) [136,8]	(5.76) [146,2]	(6.13) [155,6]	(2.83) [71,9]	(3.20) [81,3]	1.63 [41,3]	1.63 [41,3]	(1.02) [25,9]	(1.02) [26,0]	(0.83) [21,1]	(0.49) [12,3]	(0.28) [7,0]	(0.38) [9,7]	(0.28) [7,0]	(3.92) [99,6]	(6.45) [163,8]	(4.41) [111,9]	(6.93) [176,1]
3/4"R X 1/2"	(5.39) [136,8]	(5.76) [146,2]	(6.13) [155,6]	(2.71) [68,7]	(3.08) [78,1]	1.63 [41,3]	1.63 [41,3]	(1.02) [25,9]	(1.15) [29,2]	(0.83) [21,1]	(0.61) [15,4]	(0.15) [3,8]	(0.40) [10,3]	(0.28) [7,0]	(4.08) [103,6]	(6.60) [167,7]	(4.53) [115,0]	(7.06) [179,2]
3/4"R X 3/4"R	(5.39) [136,8]	(5.76) [146,2]	(6.13) [155,6]	(2.71) [68,7]	(3.08) [78,1]	1.63 [41,3]	1.63 [41,3]	(1.02) [25,9]	(1.15) [29,2]	(0.71) [17,9]	(0.45) [11,5]	(0.15) [3,8]	(0.40) [10,3]	(0.15) [3,8]	(4.08) [103,6]	(6.60) [167,7]	(4.53) [115,0]	(7.06) [179,2]
3/4" X 1/2"	(5.76) [146,4]	(6.13) [155,8]	(6.50) [165,2]	(3.84) [97,6]	(4.21) [107,0]	1.63 [41,3]	1.63 [41,3]	(1.38) [35,1]	(1.41) [35,9]	(0.85) [21,5]	(0.61) [15,4]	(0.59) [14,9]	(0.40) [10,3]	(0.28) [7,0]	(5.14) [130,6]	(8.06) [204,7]	(4.53) [115,0]	(7.06) [179,2]
3/4" X 3/4"R	(5.76) [146,4]	(6.13) [155,8]	(6.50) [165,2]	(3.84) [97,6]	(4.21) [107,0]	1.63 [41,3]	1.63 [41,3]	(1.38) [35,1]	(1.41) [35,9]	(0.72) [18,4]	(0.45) [11,5]	(0.59) [14,9]	(0.40) [10,3]	(0.15) [3,8]	(5.14) [130,6]	(8.06) [204,7]	(4.53) [115,0]	(7.06) [179,2]
3/4" X 3/4"	(6.90) [175,2]	(7.27) [184,6]	(7.64) [194,0]	(3.84) [97,6]	(4.21) [107,0]	1.63 [41,3]	1.63 [41,3]	(1.38) [35,1]	(1.41) [35,9]	(1.59) [40,5]	(0.52) [13,2]	(0.59) [14,9]	(0.67) [17,0]	(0.59) [14,9]	(5.14) [130,6]	(8.06) [204,7]	(5.66) [143,8]	(8.58) [217,9]
1" X 1/2"	(5.76) [146,4]	(6.13) [155,8]	(6.50) [165,2]	(3.72) [94,4]	(4.09) [103,8]	1.63 [41,3]	1.63 [41,3]	(1.38) [35,1]	(1.54) [39,1]	(0.85) [21,5]	(0.71) [17,9]	(0.46) [11,7]	(0.88) [22,2]	(0.28) [7,0]	(5.30) [134,6]	(8.22) [208,7]	(4.63) [117,5]	(7.15) [181,7]
1" X 3/4"R	(5.76) [146,4]	(6.13) [155,8]	(6.50) [165,2]	(3.72) [94,4]	(4.09) [103,8]	1.63 [41,3]	1.63 [41,3]	(1.38) [35,1]	(1.54) [39,1]	(0.72) [18,4]	(0.55) [14,0]	(0.46) [11,7]	(0.88) [22,2]	(0.15) [3,8]	(5.30) [134,6]	(8.22) [208,7]	(4.63) [117,5]	(7.15) [181,7]
1" X 3/4"	(6.90) [175,2]	(7.27) [184,6]	(7.64) [194,0]	(3.72) [94,4]	(4.09) [103,8]	1.63 [41,3]	1.63 [41,3]	(1.38) [35,1]	(1.54) [39,1]	(1.59) [40,5]	(0.68) [17,3]	(0.46) [11,7]	(0.55) [13,8]	(0.59) [14,9]	(5.30) [134,6]	(8.22) [208,7]	(5.82) [147,9]	(8.74) [222,0]
1" X 1"	(6.90) [175,2]	(7.27) [184,6]	(7.64) [194,0]	(3.72) [94,4]	(4.09) [103,8]	1.63 [41,3]	1.63 [41,3]	(1.38) [35,1]	(1.54) [39,1]	(1.47) [37,3]	(0.52) [13,3]	(0.46) [11,7]	(0.55) [13,8]	(0.46) [11,7]	(5.30) [134,6]	(8.22) [208,7]	(5.82) [147,9]	(8.74) [222,0]
1-1/2" X 1/2"	(6.41) [162,8]	(6.78) [172,2]	(7.15) [181,6]	(4.47) [113,5]	(4.84) [122,9]	1.63 [41,3]	1.63 [41,3]	(1.95) [49,5]	(2.16) [55,0]	(0.87) [22,0]	(0.65) [16,4]	(0.53) [13,3]	(1.44) [36,4]	(0.28) [7,0]	(7.11) [180,6]	(12.10) [307,3]	(4.57) [116,1]	(7.10) [180,2]
1-1/2" X 3/4"R	(6.41) [162,8]	(6.78) [172,2]	(7.15) [181,6]	(4.47) [113,5]	(4.84) [122,9]	1.63 [41,3]	1.63 [41,3]	(1.95) [49,5]	(2.16) [55,0]	(0.74) [18,9]	(0.49) [12,5]	(0.53) [13,3]	(1.44) [36,4]	(0.15) [3,8]	(7.11) [180,6]	(12.10) [307,3]	(4.57) [116,1]	(7.10) [180,2]
1-1/2" X 3/4"	(7.49) [190,2]	(7.86) [199,6]	(8.23) [209,0]	(4.47) [113,5]	(4.84) [122,9]	1.63 [41,3]	1.63 [41,3]	(1.95) [49,5]	(2.16) [55,0]	(1.61) [41,0]	(0.91) [23,2]	(0.53) [13,3]	(0.79) [20,2]	(0.59) [14,9]	(7.11) [180,6]	(12.10) [307,3]	(6.05) [153,7]	(8.97) [227,9]
1-1/2" X 1"	(7.49) [190,2]	(7.86) [199,6]	(8.23) [209,0]	(4.47) [113,5]	(4.84) [122,9]	1.63 [41,3]	1.63 [41,3]	(1.95) [49,5]	(2.16) [55,0]	(1.49) [37,8]	(0.76) [19,2]	(0.53) [13,3]	(0.79) [20,2]	(0.46) [11,7]	(7.11) [180,6]	(12.10) [307,3]	(6.05) [153,7]	(8.97) [227,9]
1-1/2" X 1-1/2"	(8.49) [215,7]	(8.86) [225,1]	(9.23) [234,5]	(4.47) [113,5]	(4.84) [122,9]	1.63 [41,3]	1.63 [41,3]	(1.95) [49,5]	(2.16) [55,0]	(1.87) [47,4]	(0.51) [13,0]	(0.53) [13,3]	(0.81) [20,7]	(0.53) [13,3]	(7.11) [180,6]	(12.10) [307,3]	(7.62) [193,6]	(12.61) [320,3]
2" X 1/2"	(6.47) [164,3]	(7.09) [180,1]	(7.71) [195,8]	(4.60) [116,8]	(4.97) [126,2]	1.88 [47,6]	1.63 [41,3]	(1.98) [50,3]	(2.56) [65,0]	(0.88) [22,4]	(0.99) [25,0]	(0.39) [9,9]	(1.39) [35,2]	(0.28) [7,0]	(7.79) [197,9]	(12.78) [324,6]	(4.91) [124,6]	(7.43) [188,8]
2" X 3/4"R	(6.47) [164,3]	(7.09) [180,1]	(7.71) [195,8]	(4.60) [116,8]	(4.97) [126,2]	1.88 [47,6]	1.63 [41,3]	(1.98) [50,3]	(2.56) [65,0]	(0.76) [19,2]	(0.83) [21,1]	(0.39) [9,9]	(1.39) [35,2]	(0.15) [3,8]	(7.79) [197,9]	(12.78) [324,6]	(4.91) [124,6]	(7.43) [188,8]
2" X 3/4"	(7.53) [191,3]	(8.15) [207,1]	(8.77) [222,8]	(4.60) [116,8]	(4.97) [126,2]	1.88 [47,6]	1.63 [41,3]	(1.98) [50,3]	(2.56) [65,0]	(1.63) [41,4]	(1.18) [30,0]	(0.39) [9,9]	(1.04) [26,5]	(0.59) [14,9]	(7.79) [197,9]	(12.78) [324,6]	(6.32) [160,6]	(9.24) [234,7]
2" X 1"	(7.53) [191,3]	(8.15) [207,1]	(8.77) [222,8]	(4.60) [116,8]	(4.97) [126,2]	1.88 [47,6]	1.63 [41,3]	(1.98) [50,3]	(2.56) [65,0]	(1.50) [38,2]	(1.03) [26,0]	(0.39) [9,9]	(1.04) [26,5]	(0.46) [11,7]	(7.79) [197,9]	(12.78) [324,6]	(6.32) [160,6]	(9.24) [234,7]
2" X 1-1/2"	(8.54) [216,8]	(9.16) [232,6]	(9.78) [248,3]	(4.60) [116,8]	(4.97) [126,2]	1.88 [47,6]	1.63 [41,3]	(1.98) [50,3]	(2.56) [65,0]	(1.88) [47,8]	(0.72) [18,4]	(0.39) [9,9]	(1.06) [27,0]	(0.53) [13,3]	(7.79) [197,9]	(12.78) [324,6]	(7.83) [199,0]	(12.82) [325,7]
2" X 2"	(8.91) [226,2]	(9.53) [242,0]	(10.15) [257,7]	(4.60) [116,8]	(5.22) [132,5]	1.88 [47,6]	1.88 [47,6]	(1.98) [50,3]	(2.56) [65,0]	(1.86) [47,3]	(0.47) [11,9]	(0.39) [9,9]	(1.08) [27,4]	(0.39) [9,9]	(7.79) [197,9]	(12.78) [324,6]	(8.26) [209,8]	(13.25) [336,6]

\* FROM MAIN VALVE TO PURGE VALVE, PASSAGE WAY L/D IS APPROXIMATELY 2.4

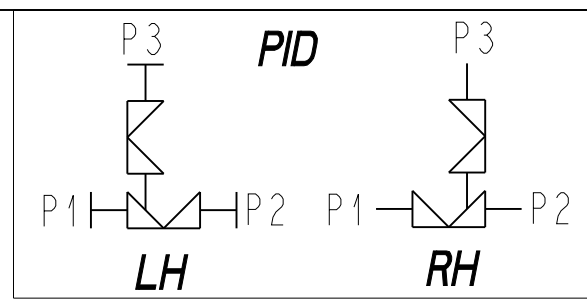


LEFT HAND

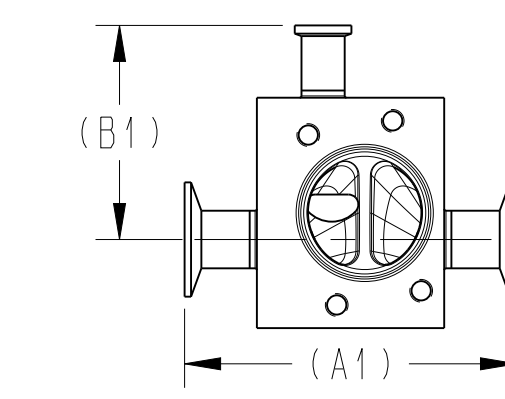


RIGHT HAND

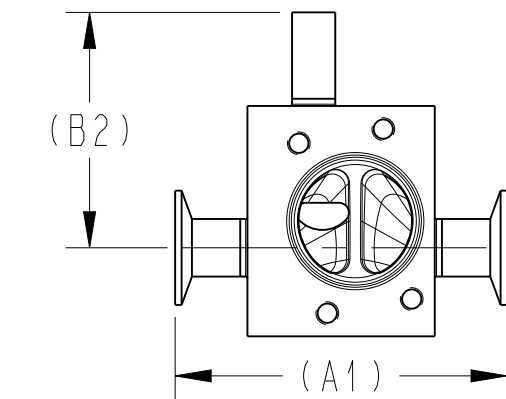
REFERENCE TO BODY DRAWING 124713



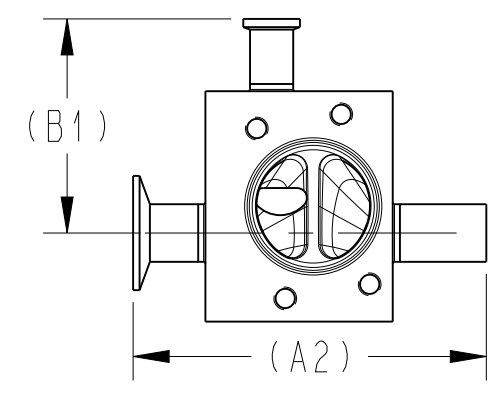
LEFT HAND



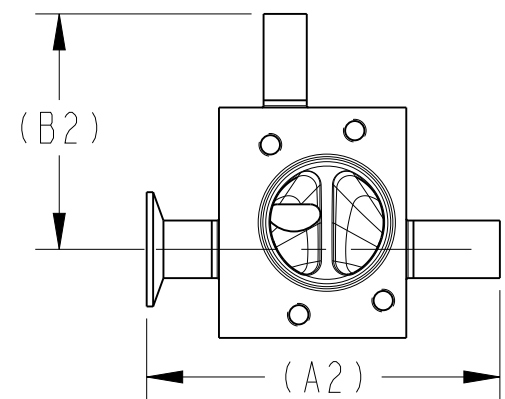
OPTION-1



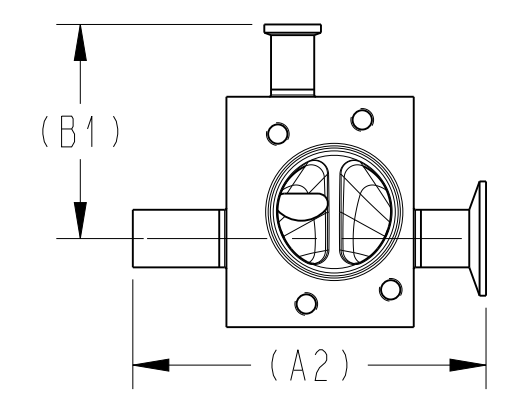
OPTION-2



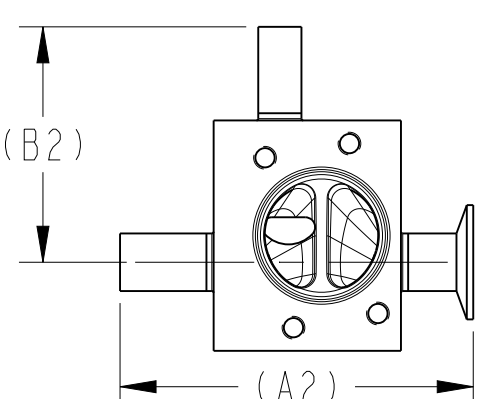
OPTION-3



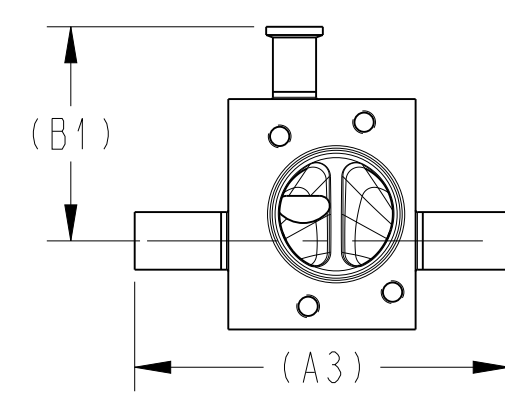
OPTION-4



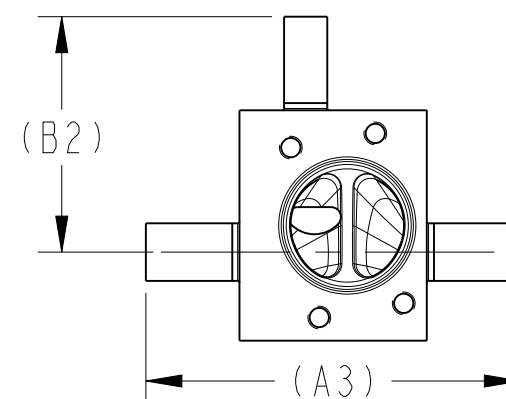
OPTION-5



OPTION-6

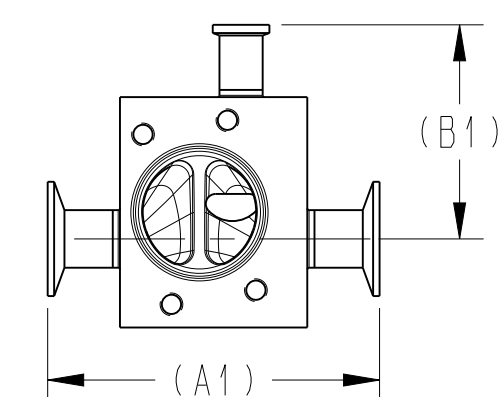


OPTION-7

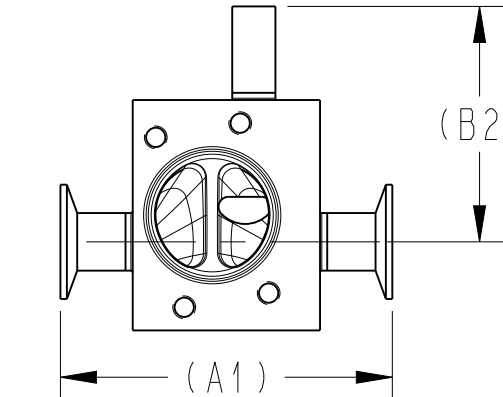


OPTION-8

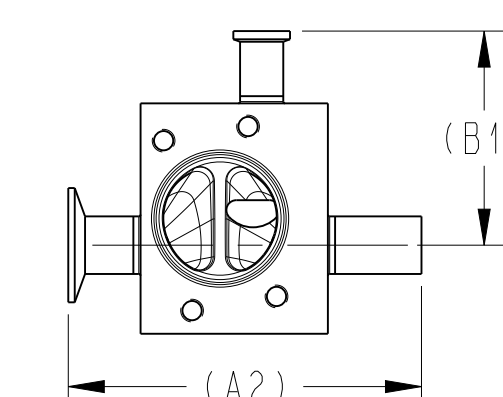
RIGHT HAND



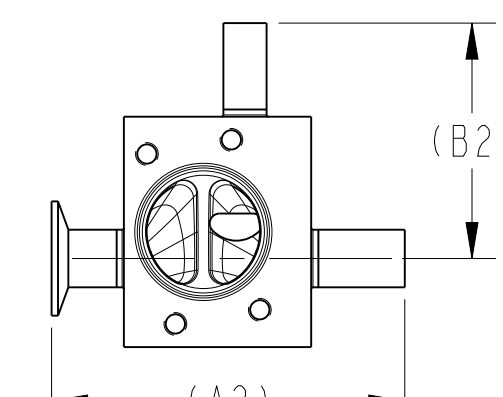
OPTION-1



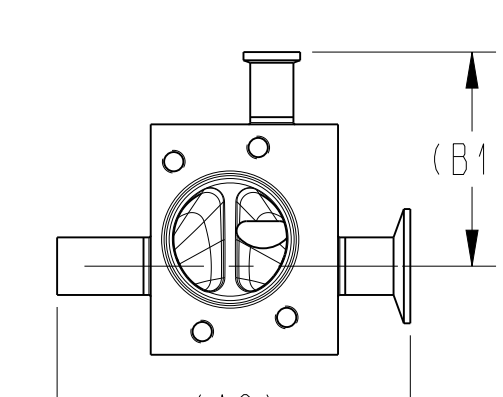
OPTION-2



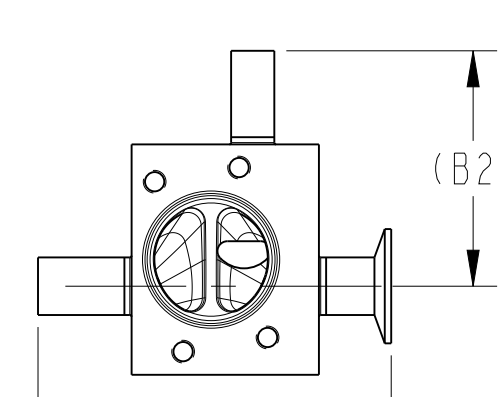
OPTION-3



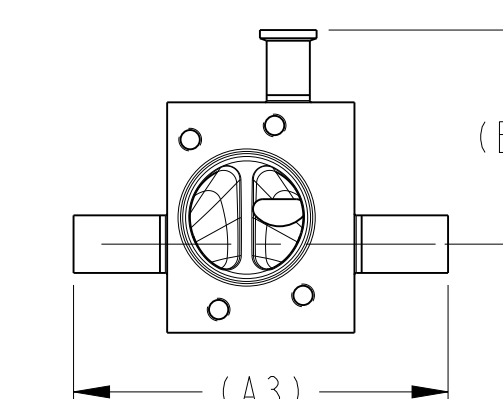
OPTION-4



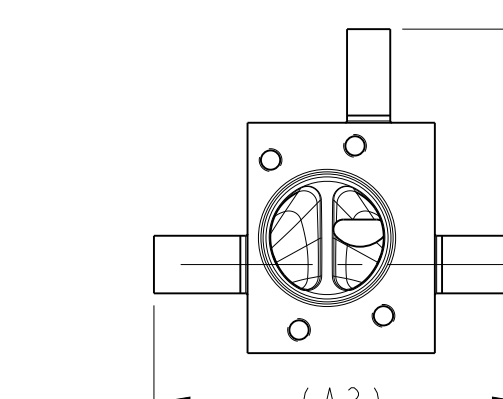
OPTION-5



OPTION-6



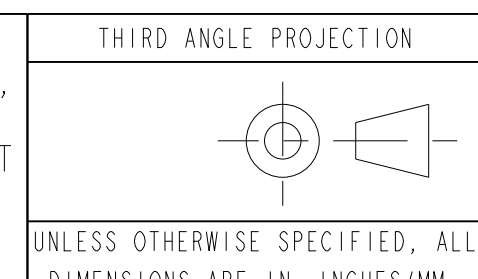
OPTION-7



OPTION-8

PURE-FLO ORDER: \_\_\_\_\_ ITEM: \_\_\_\_\_  
 CUSTOMER: \_\_\_\_\_  
 CUSTOMER PO: \_\_\_\_\_  
 OTHER INFO: \_\_\_\_\_

THIS DOCUMENT IS THE SOLE PROPERTY OF ITT CORPORATION, OR ITS SUBSIDIARY, AND IS PROVIDED SUBJECT TO RETURN. IT IS ISSUED IN STRICT CONFIDENCE AND SHALL NOT BE REPRODUCED, OR COPIED, OR DISCLOSED IN WHOLE OR IN PART, OR USED AS THE BASIS FOR THE MANUFACTURE OR SALES OF APPARATUS OR PARTS TO WHICH THE DOCUMENT RELATES, WITHOUT THE EXPRESS WRITTEN CONSENT OF ITT CORPORATION, OR ITS SUBSIDIARY. THIS LEGEND SHALL BE MARKED ON ANY REPRODUCTION HEREOF, IN WHOLE OR IN PART. ALL RIGHTS TO THE INFORMATION AND DESIGN DISCLOSED HEREIN ARE RESERVED TO ITT CORPORATION, OR ITS SUBSIDIARY.



UNLESS OTHERWISE NOTED	
INCH	MM
X : ± 0.06	X : ± 1.5
.XX : ± 0.06	.XX : ± 1.5
.XXX : ± 0.02	.XXX : ± 0.5
XXX : ± 0.02	XXX : ± 0.5
X : ± 0.015	X : ± 0.38
X : ± 0.01	X : ± 0.25

DATE	BY	ISS	INVT
07/29/20	LFV	ENV	ZION
07/29/20	KRP		
07/29/20	TJS	MASTER DWG:	A32052/-

**ITT**  
 Pure-Flo  
 www.ittpureflo.com

D	A32052	SHEET 1 OF 1	REV -
ISSUE BY:	CERT BY:	ECN# 18052	