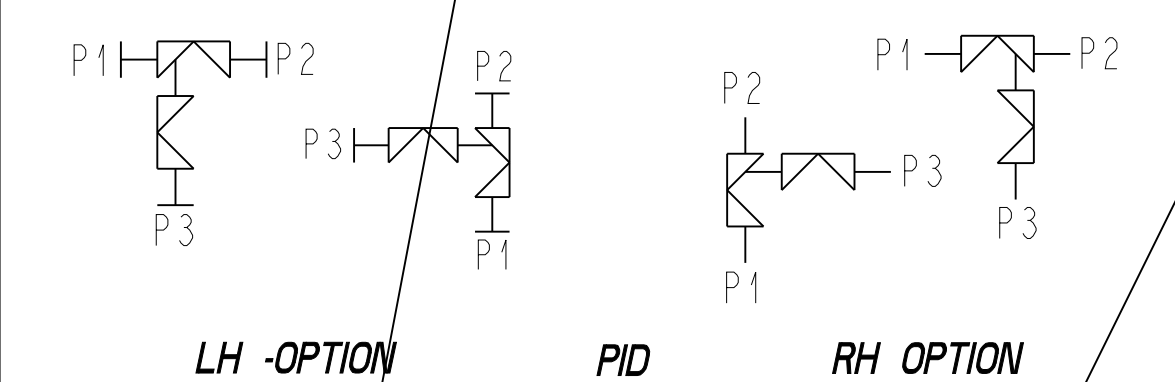
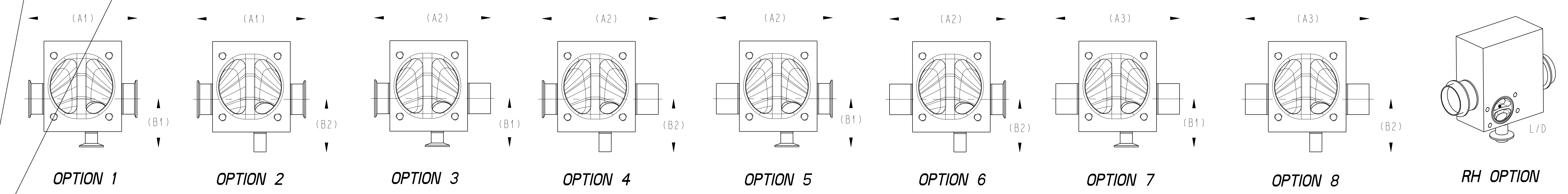
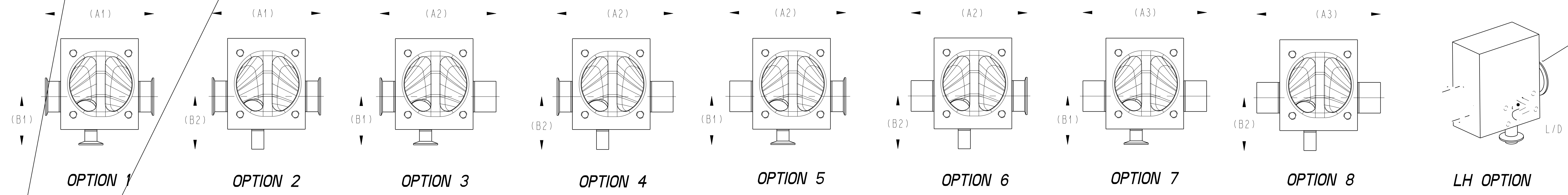
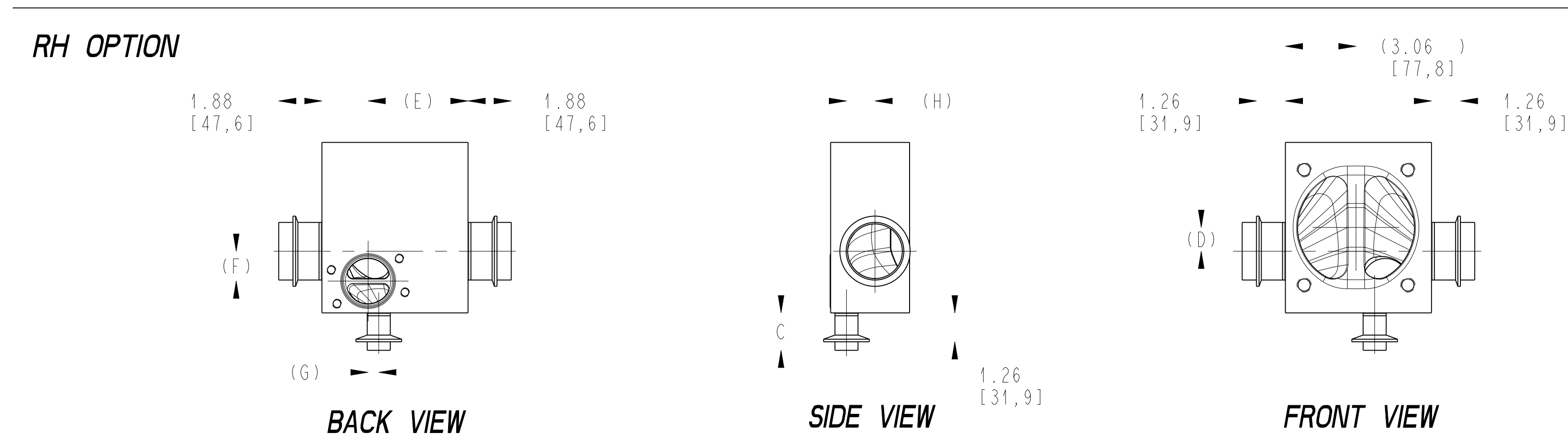
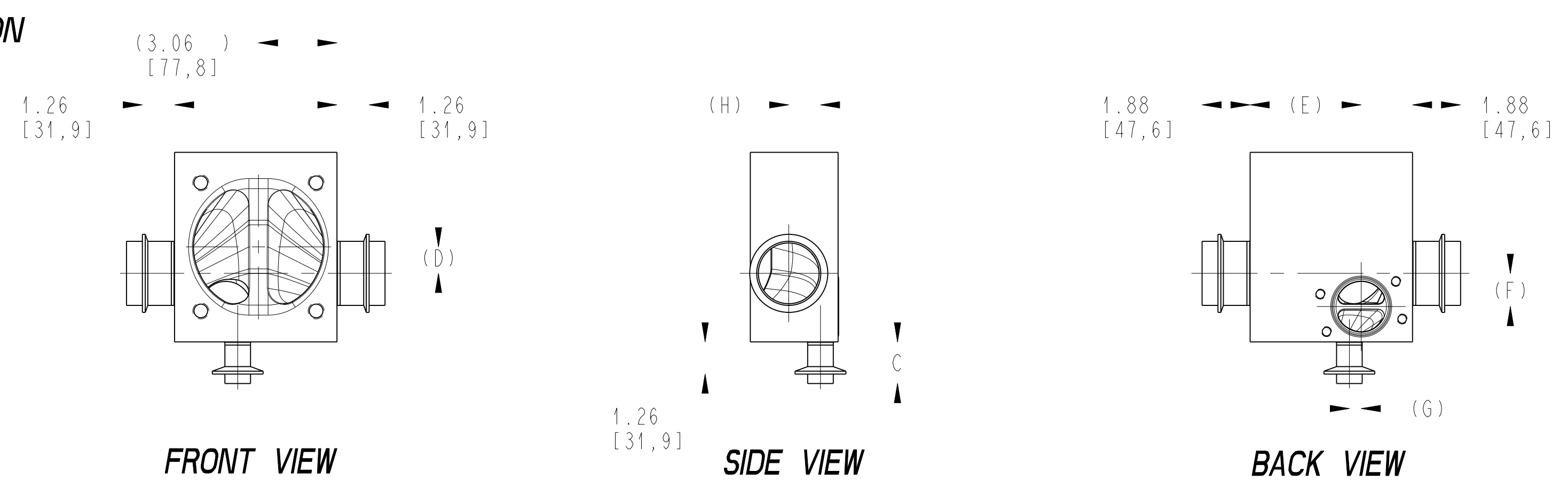


MAIN X PURGE	(A1)	(A2)	(A3)	(B1)	(B2)	C	(D)	(E)	(F)	(G)	(H)	L/D	LH OPTION
2-1/2"PF X 1/2"EZ	(8.64) [219,4]	(9.26) [235,1]	(9.88) [250,9]	(3.91) [99,3]	(4.28) [108,7]	1.63 [41,3]	(1.03) [26,3]	(3.90) [99,0]	(1.28) [32,5]	(0.28) [7,0]	(1.15) [29,1]	2.3	
2-1/2"PF X 3/4"REZ	(8.64) [219,4]	(9.26) [235,1]	(9.88) [250,9]	(3.91) [99,3]	(4.28) [108,7]	1.63 [41,3]	(1.03) [26,3]	(3.90) [99,0]	(1.28) [32,5]	(0.15) [3,8]	(0.99) [25,2]		
2-1/2"PF X 3/4"EZ	(8.85) [224,7]	(9.47) [240,5]	(10.09) [256,2]	(3.93) [99,8]	(4.30) [109,2]	1.63 [41,3]	(1.03) [26,3]	(4.34) [110,1]	(1.29) [32,9]	(0.59) [14,9]	(1.40) [35,5]		
2-1/2"PF X 1"EZ	(8.85) [224,7]	(9.47) [240,5]	(10.09) [256,2]	(3.93) [99,8]	(4.30) [109,2]	1.63 [41,3]	(1.03) [26,3]	(4.34) [110,1]	(1.29) [32,9]	(0.46) [11,7]	(1.24) [31,4]		
2-1/2"PF X 1-1/2"EZ	(9.85) [250,2]	(10.47) [265,9]	(11.09) [281,7]	(4.52) [114,8]	(4.89) [124,2]	1.63 [41,3]	(1.03) [26,3]	(4.65) [118,1]	(1.31) [33,4]	(0.53) [13,3]	(1.01) [25,7]		
2-1/2"PF X 2"EZ	(10.22) [259,6]	(10.84) [275,3]	(11.46) [291,1]	(4.57) [116,0]	(5.19) [131,7]	1.88 [47,6]	(1.03) [26,3]	(4.76) [121,0]	(1.33) [33,8]	(0.39) [9,9]	(0.76) [19,4]		
3"PF X 1/2"EZ	(8.64) [219,4]	(9.26) [235,1]	(9.88) [250,9]	(4.16) [105,6]	(4.53) [115,0]	1.63 [41,3]	(0.78) [19,9]	(3.90) [99,0]	(1.53) [38,8]	(0.28) [7,0]	(1.25) [31,8]	2.6	
3"PF X 3/4"REZ	(8.64) [219,4]	(9.26) [235,1]	(9.88) [250,9]	(4.16) [105,6]	(4.53) [115,0]	1.63 [41,3]	(0.78) [19,9]	(3.90) [99,0]	(1.53) [38,8]	(0.15) [3,8]	(1.10) [27,8]		
3"PF X 3/4"EZ	(8.85) [224,7]	(9.47) [240,5]	(10.09) [256,2]	(4.18) [106,2]	(4.55) [115,6]	1.63 [41,3]	(0.78) [19,9]	(4.34) [110,1]	(1.54) [39,2]	(0.59) [14,9]	(1.58) [40,1]		
3"PF X 1"EZ	(8.85) [224,7]	(9.47) [240,5]	(10.09) [256,2]	(4.18) [106,2]	(4.55) [115,6]	1.63 [41,3]	(0.78) [19,9]	(4.34) [110,1]	(1.54) [39,2]	(0.46) [11,7]	(1.42) [36,0]		
3"PF X 1-1/2"EZ	(9.85) [250,2]	(10.47) [265,9]	(11.09) [281,7]	(4.77) [121,2]	(5.14) [130,6]	1.63 [41,3]	(0.78) [19,9]	(4.65) [118,1]	(1.56) [39,8]	(0.53) [13,3]	(1.25) [31,7]		
3"PF X 2"EZ	(10.22) [259,6]	(10.84) [275,3]	(11.46) [291,1]	(4.82) [122,3]	(5.44) [138,1]	1.88 [47,6]	(0.78) [19,9]	(4.76) [121,0]	(1.58) [40,1]	(0.39) [9,9]	(1.00) [25,4]		



NOTE: UNLESS OTHERWISE SPECIFIED  
 1. BODY DRAWING NUMBER 124751  
 2. ALL INSTANCES MARKED AS "-" MEET AN L/D OF 2.0 OR LESS



PURE-FLO ORDER: -      ITEM: -  
 CUSTOMER: -  
 CUSTOMER PO: -  
 OTHER INFO: -

THIS DOCUMENT IS THE SOLE PROPERTY OF ITT CORPORATION, OR ITS SUBSIDIARY, AND IS PROVIDED SUBJECT TO RETURN. IT IS ISSUED IN STRICT CONFIDENCE AND SHALL NOT BE REPRODUCED, OR COPIED, OR DISCLOSED IN WHOLE OR IN PART, OR USED AS THE BASIS FOR THE MANUFACTURE OR SALES OF APPARATUS OR PARTS TO WHICH THE DOCUMENT RELATES, WITHOUT THE EXPRESS WRITTEN CONSENT OF ITT CORPORATION, OR ITS SUBSIDIARY. THIS LEGEND SHALL BE MARKED ON ANY REPRODUCTION HEREOF, IN WHOLE OR IN PART. ALL RIGHTS TO THE INFORMATION AND DESIGN DISCLOSED HEREIN ARE RESERVED TO ITT CORPORATION, OR ITS SUBSIDIARY.

THIRD ANGLE PROJECTION	UNLESS OTHERWISE NOTED	DATE	BY
	INCH	DWN 09/11/20	LFV
	MM	CHKD 09/11/20	KRP
		APVD 09/11/20	TJS

ISG PF 2-1/2", 3" X  
 ENVIZION 1/2" - 2"  
 MASTER DWG: A32126/-  
 ECN# 18106

**ITT** Pure-Flo  
 www.ittpureflo.com  
 SHEET 1 OF 1  
 REV -  
 D A32126  
 ISSUE BY: -      CERT BY: -