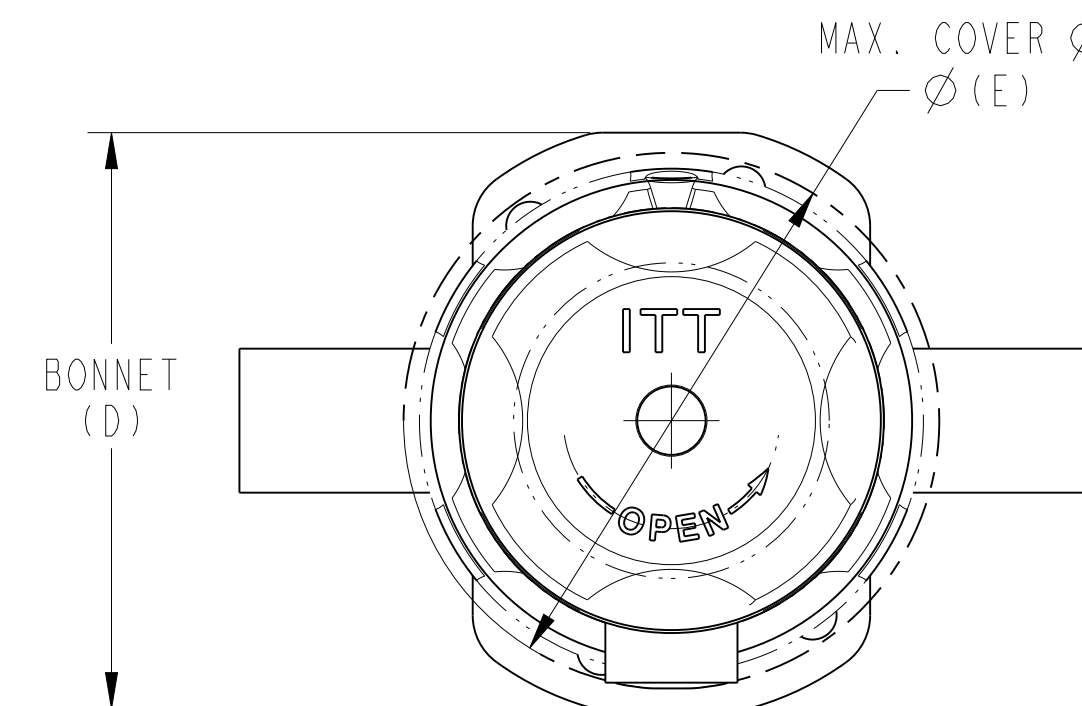
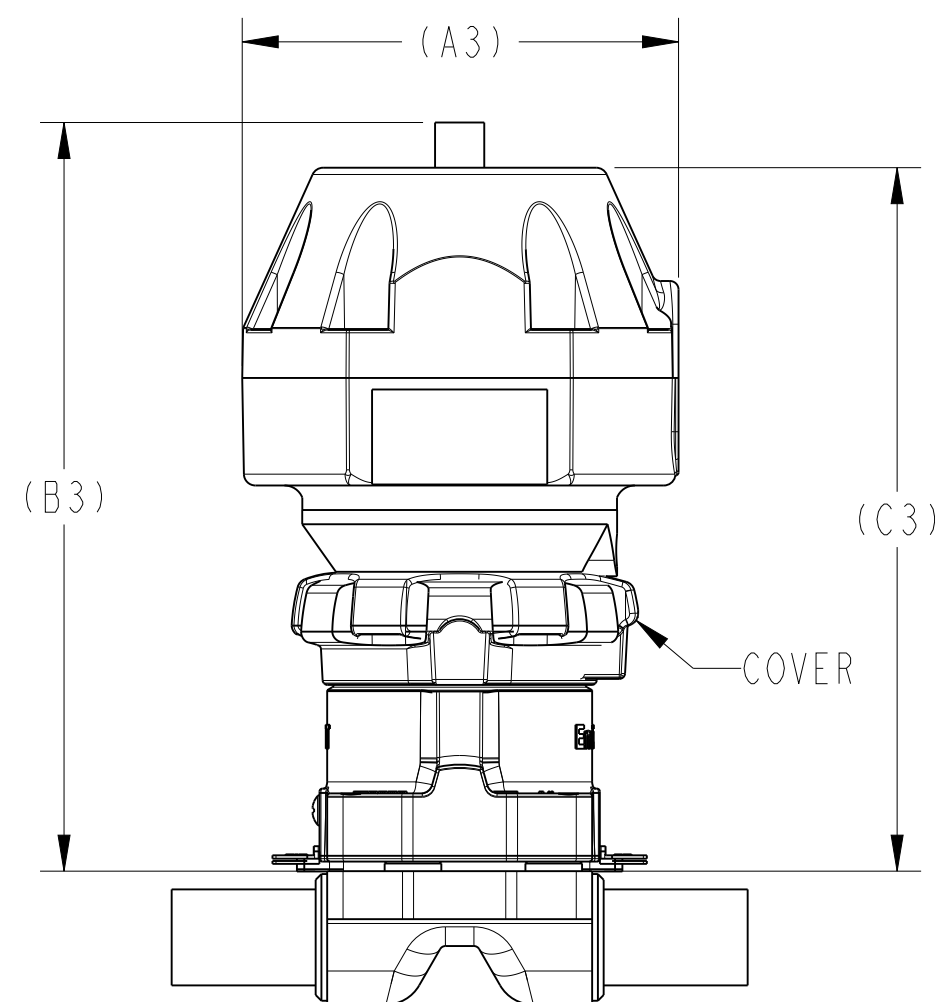


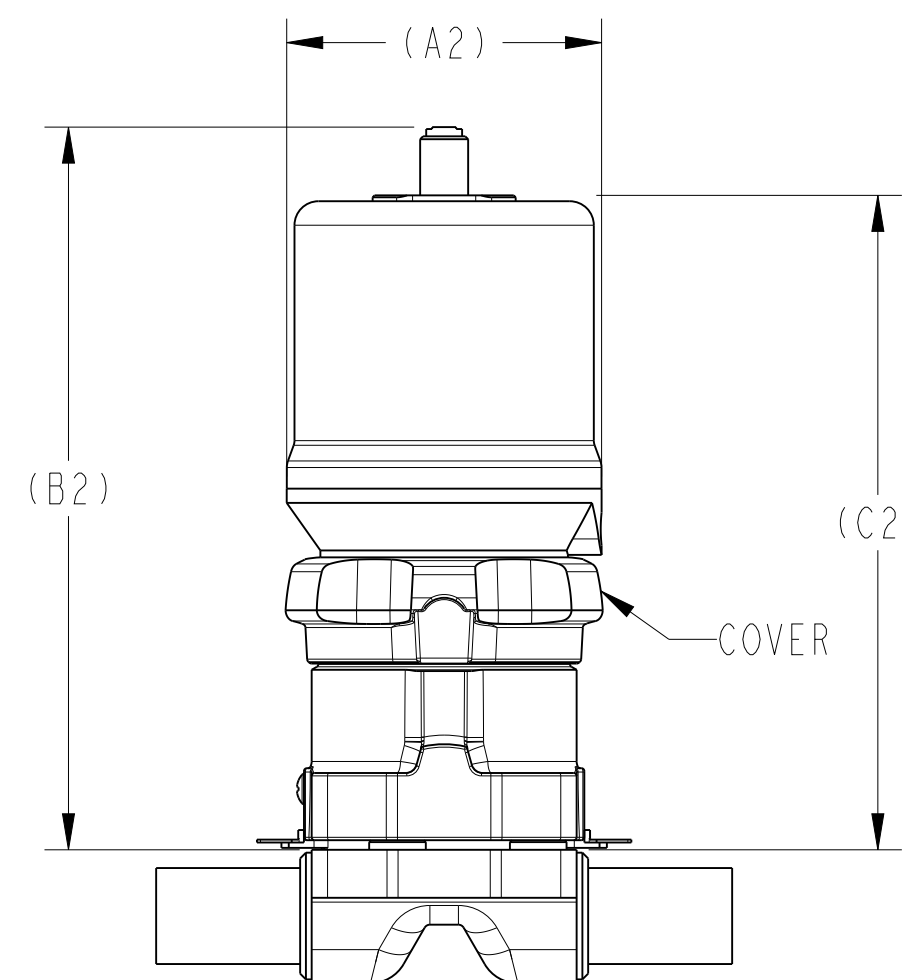
VALVE SIZE	MANUAL		ACTUATED			ENVIZION ADVANTAGE			COMMON TO ALL	
	(A1)	(B1)	(A2)	(B2)	(C2)	(A3)	(B3)	(C3)	(D)	(E)
BIOVIZION										
0.25 BV (DN6)										
0.38 BV (DN10)	∅ (1.45) [36,8]	(2.98) [75,7]	∅ (2.00) [50,8]	(5.12) [130,0]	(4.83) [122,7]	N/A	N/A	N/A	(1.56) [39,6]	∅ (2.20) [55,9]
0.50 BV (DN15)										
ENVIZION										
0.50 EV (DN15)	∅ (2.05) [52,1]	(3.55) [90,1]	∅ (2.78) [70,6]	(6.07) [154,3]	(5.48) [139,3]	N/A	N/A	N/A	(2.60) [66,0]	∅ (2.94) [74,7]
0.75R EV (DN20)										
0.75 EV (DN20)	∅ (2.95) [74,9]	(4.61) [117,1]	∅ (3.28) [83,3]	(7.53) [191,2]	(6.82) [173,2]	(4.54) [115,3]	(7.80) [198,1]	(7.33) [186,1]	(4.00) [101,6]	∅ (3.72) [94,5]
1.00 EV (DN25)										
1.50 EV (DN40)	∅ (3.89) [98,8]	(6.11) [155,2]	∅ (4.78) [121,4]	(11.10) [281,9]	(10.20) [259,1]	(6.41) [162,8]	(11.76) [298,7]	(10.86) [275,7]	(5.38) [136,7]	∅ (5.13) [130,3]
2.00 EV (DN50)		(6.54) [166,1]		(11.53) [292,9]	(10.34) [262,5]		(12.05) [306,0]	(10.96) [278,4]	(5.89) [149,6]	



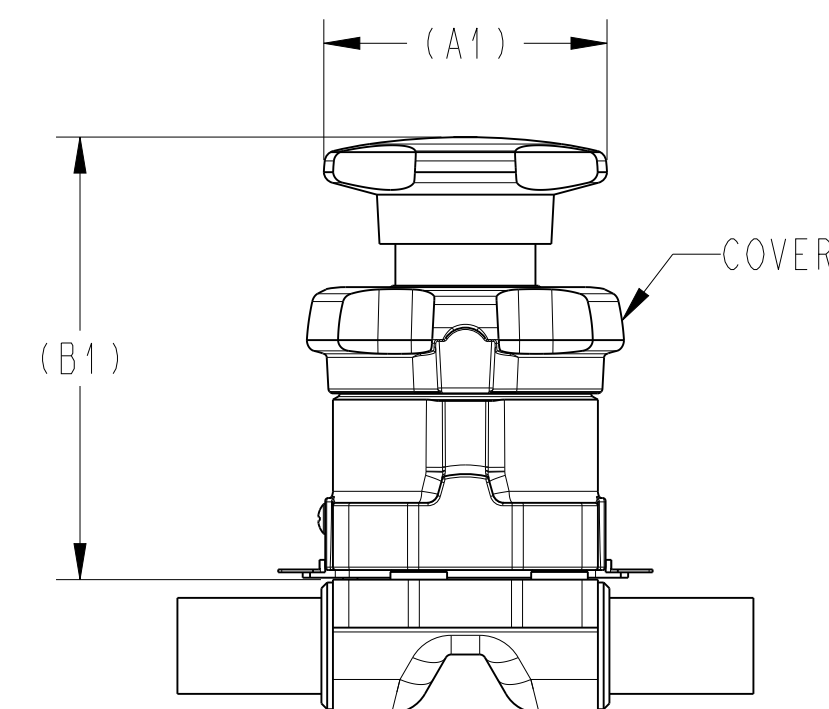
TOP VIEW



ENVIZION ADVANTAGE



ENVIZION ACTUATED



ENVIZION MANUAL

THIS DOCUMENT IS THE SOLE PROPERTY OF ITT CORPORATION, OR ITS SUBSIDIARY, AND IS PROVIDED SUBJECT TO RETURN. IT IS ISSUED IN STRICT CONFIDENCE AND SHALL NOT BE REPRODUCED, OR COPIED, OR DISCLOSED IN WHOLE OR IN PART, OR USED AS THE BASIS FOR THE MANUFACTURE OR SALES OF APPARATUS OR PARTS TO WHICH THE DOCUMENT RELATES, WITHOUT THE EXPRESS WRITTEN CONSENT OF ITT CORPORATION, OR ITS SUBSIDIARY. THIS LEGEND SHALL BE MARKED ON ANY REPRODUCTION HEREOF, IN WHOLE OR IN PART. ALL RIGHTS TO THE INFORMATION AND DESIGN DISCLOSED HEREIN ARE RESERVED TO ITT CORPORATION, OR ITS SUBSIDIARY.

PURE-FLO ORDER: -	ITEM: -	THIRD ANGLE PROJECTION	UNLESS OTHERWISE NOTED	DATE	BY	ENVIZION TOPWORKS OUTLINE	 ITT Pure-Flo www.ittpureflo.com
CUSTOMER: -			INCH MM X = ± 0.06 X = ± 1,5 .XX = ± 0.06 .XX = ± 1,5 .XXX = ± 0.02 .XX = ± 1,5 X/X = ± 1/16 X° = ± 5° X° = ± 5°	DWN 10/08/20	LFV	BV - 2.00	
CUSTOMER PO: -		UNLESS OTHERWISE SPECIFIED, ALL DIMENSIONS ARE IN INCHES/LMM		CHKD 10/08/20	TJS		
OTHER INFO: -				APVD 10/08/20	TJS	MASTER DWG: A32161/-	ISSUED BY: - CERT BY: -
						ECN# 18147	