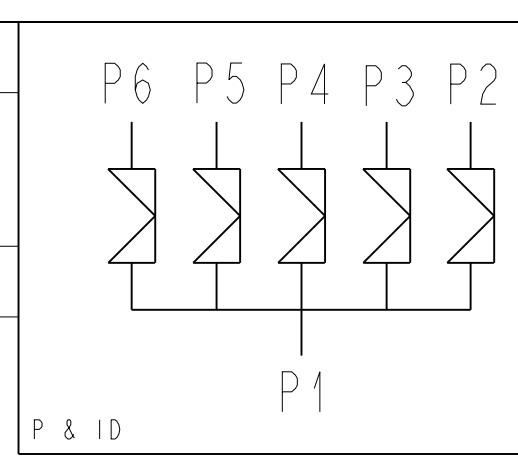


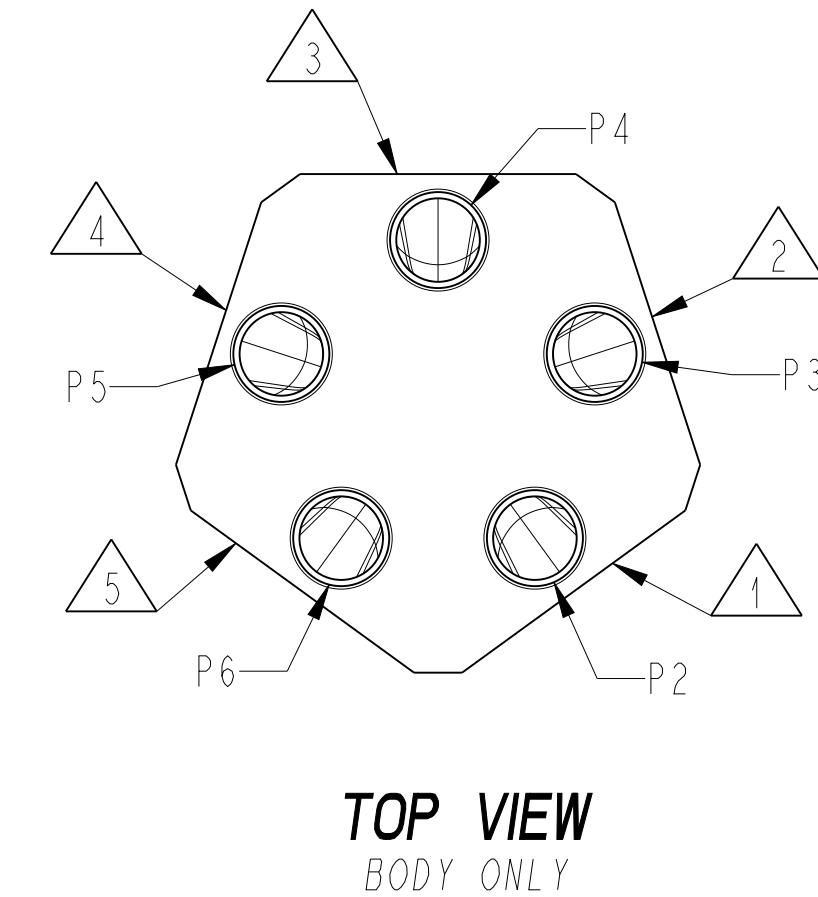
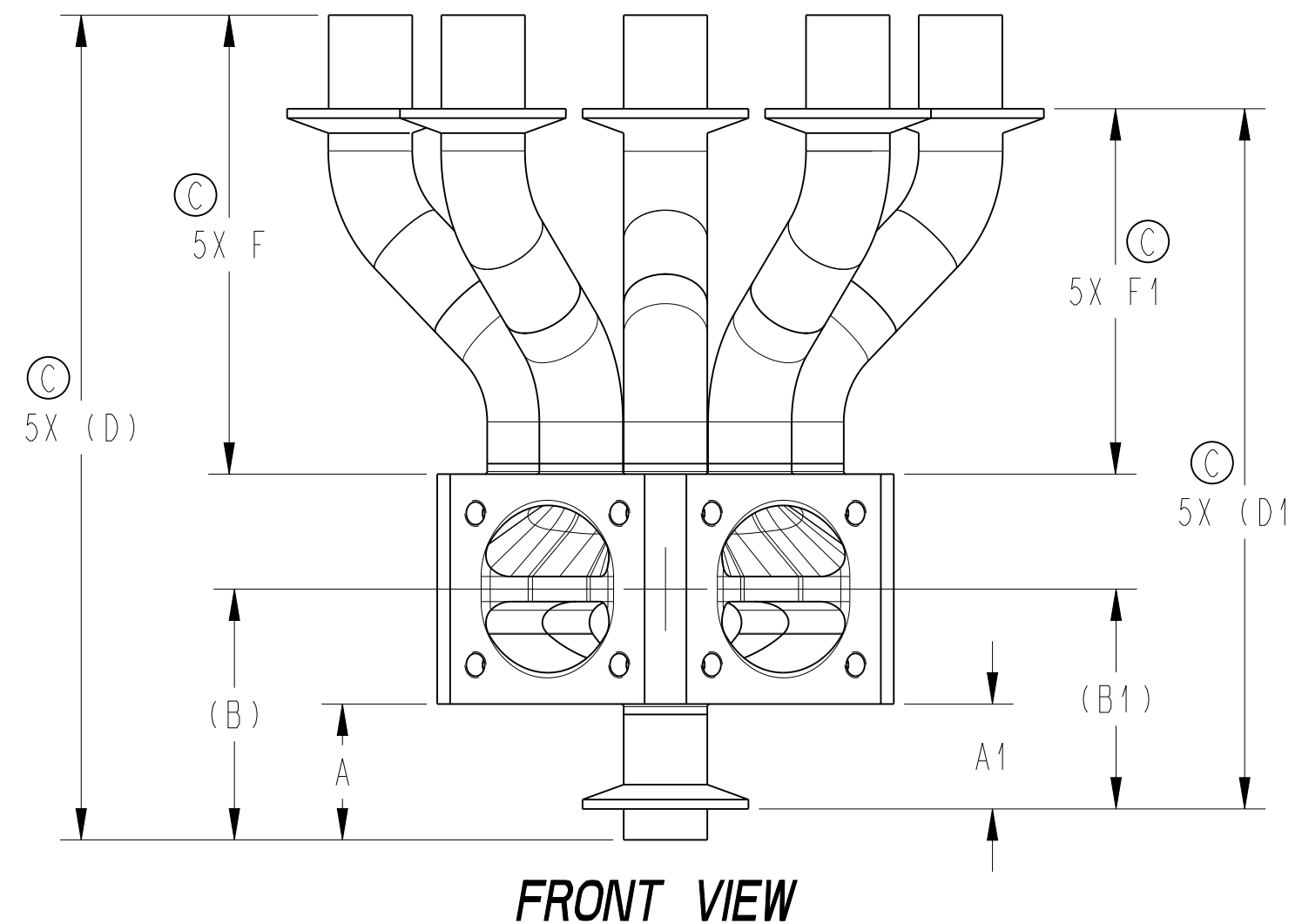
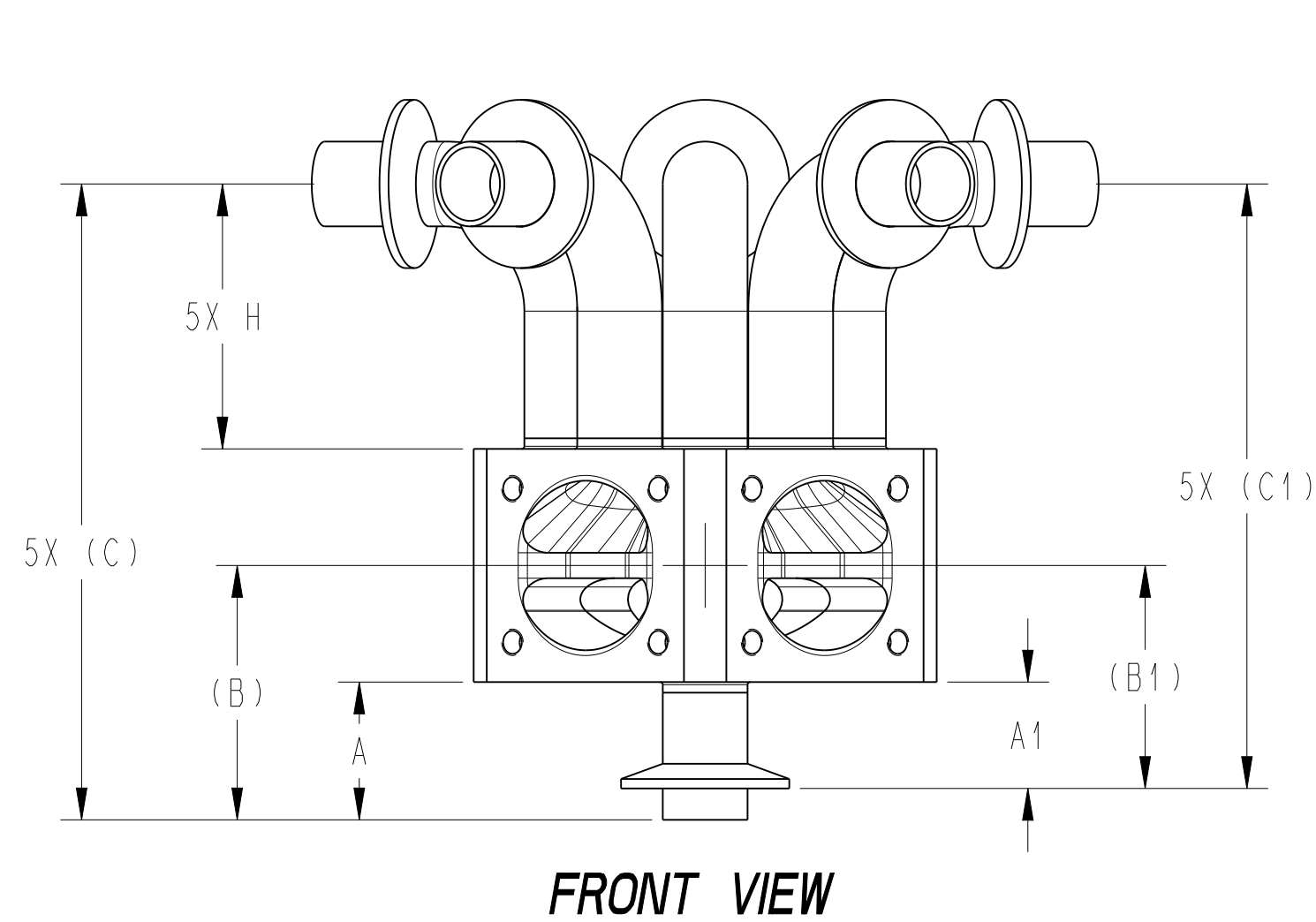
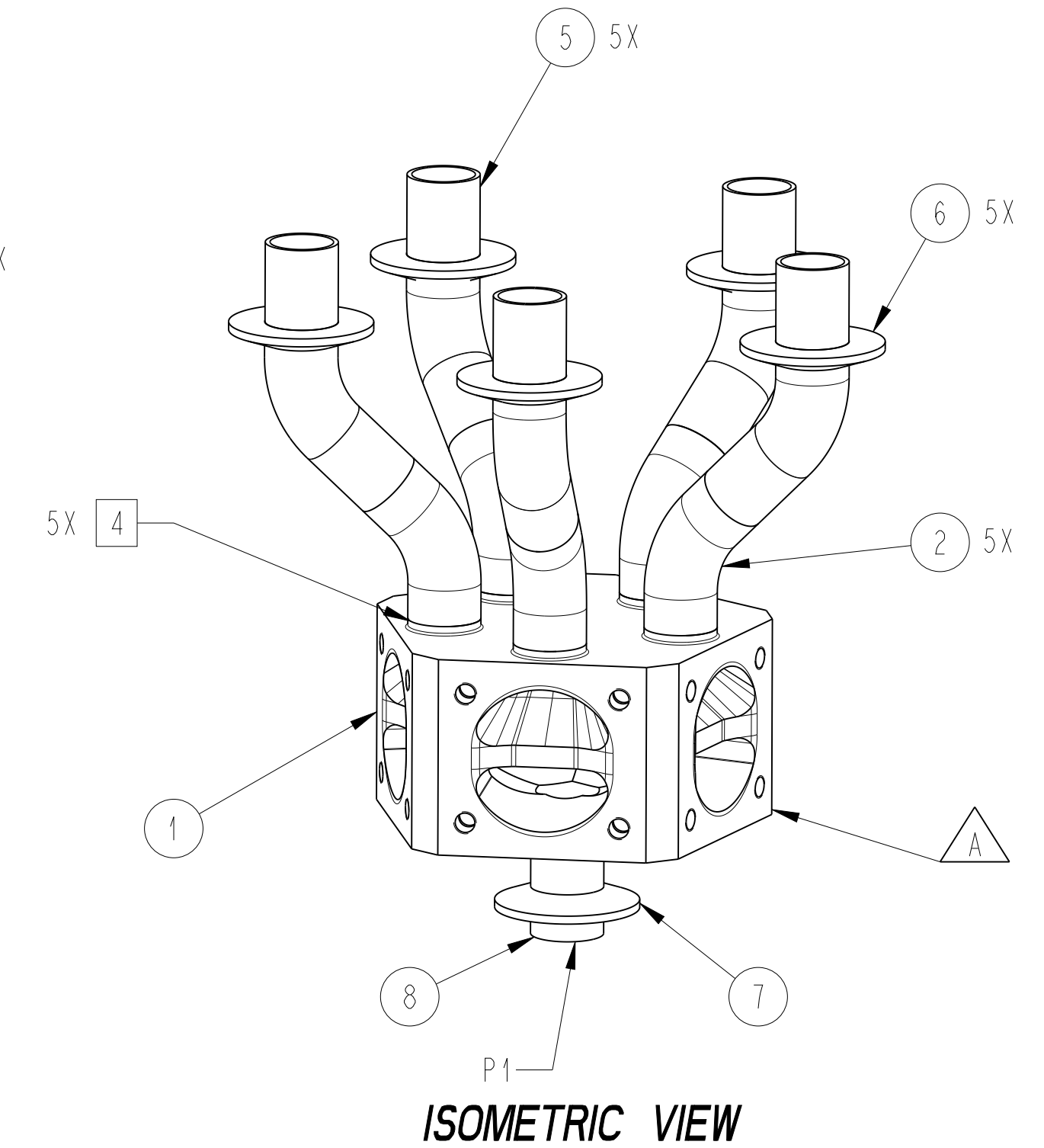
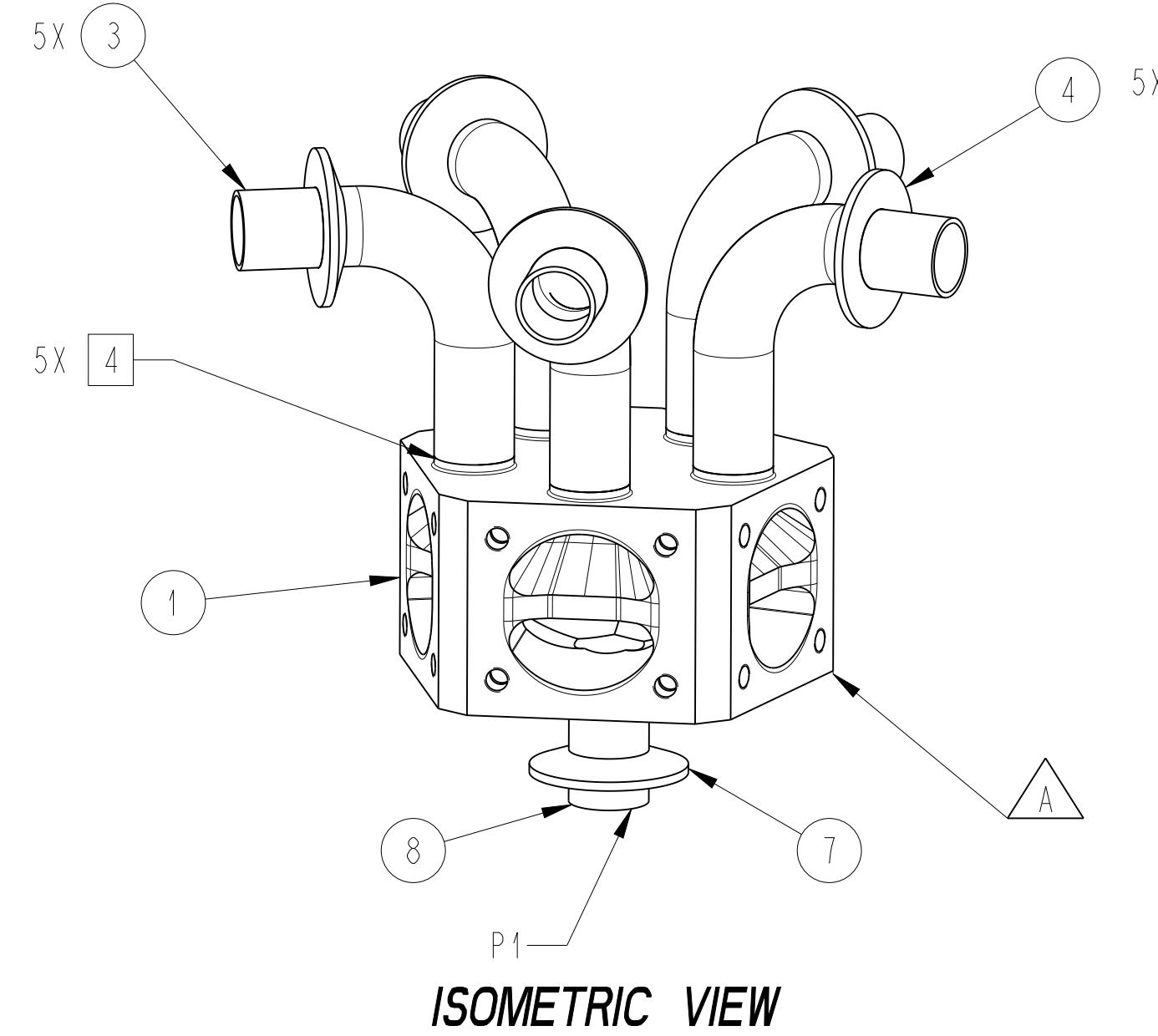
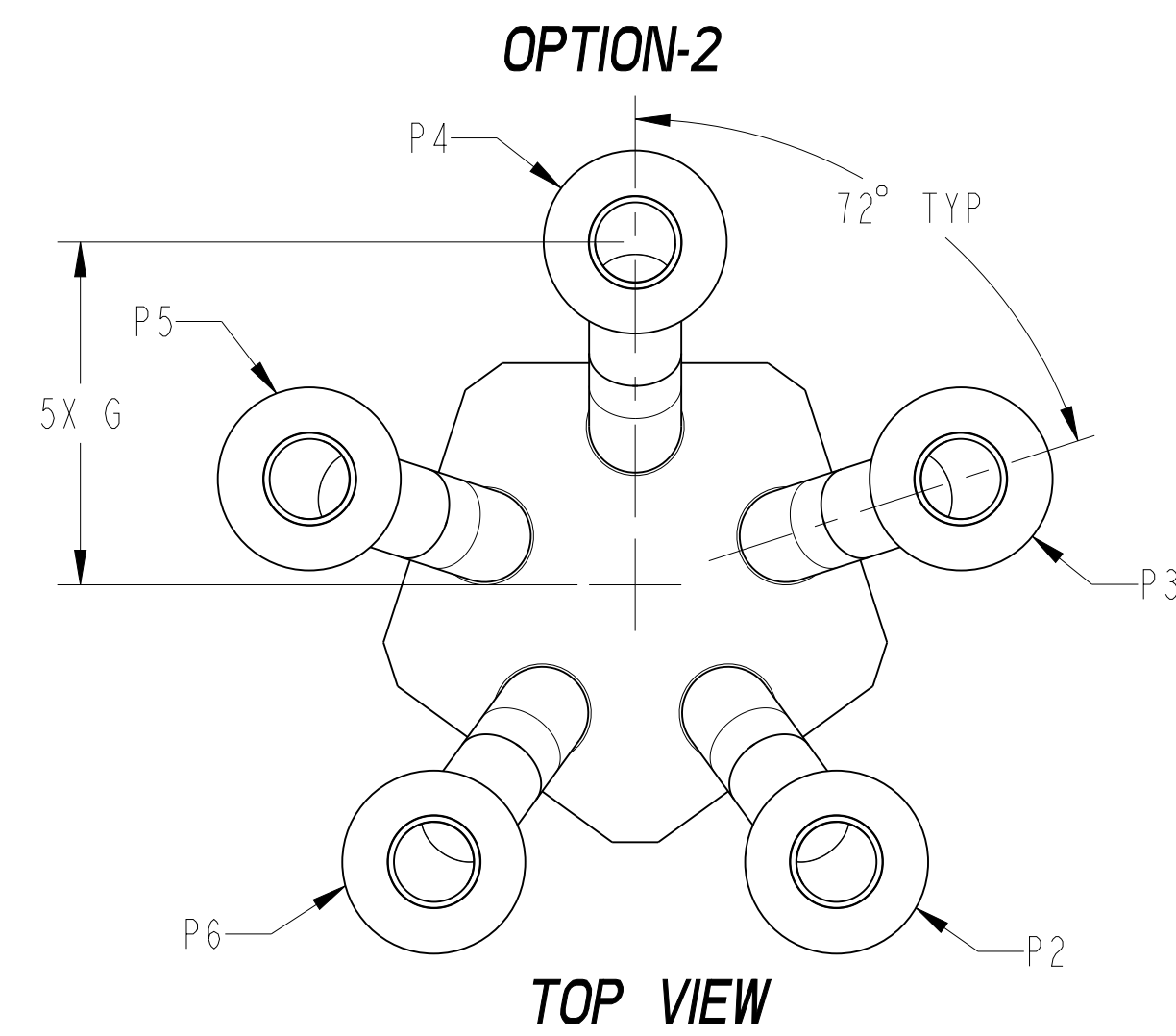
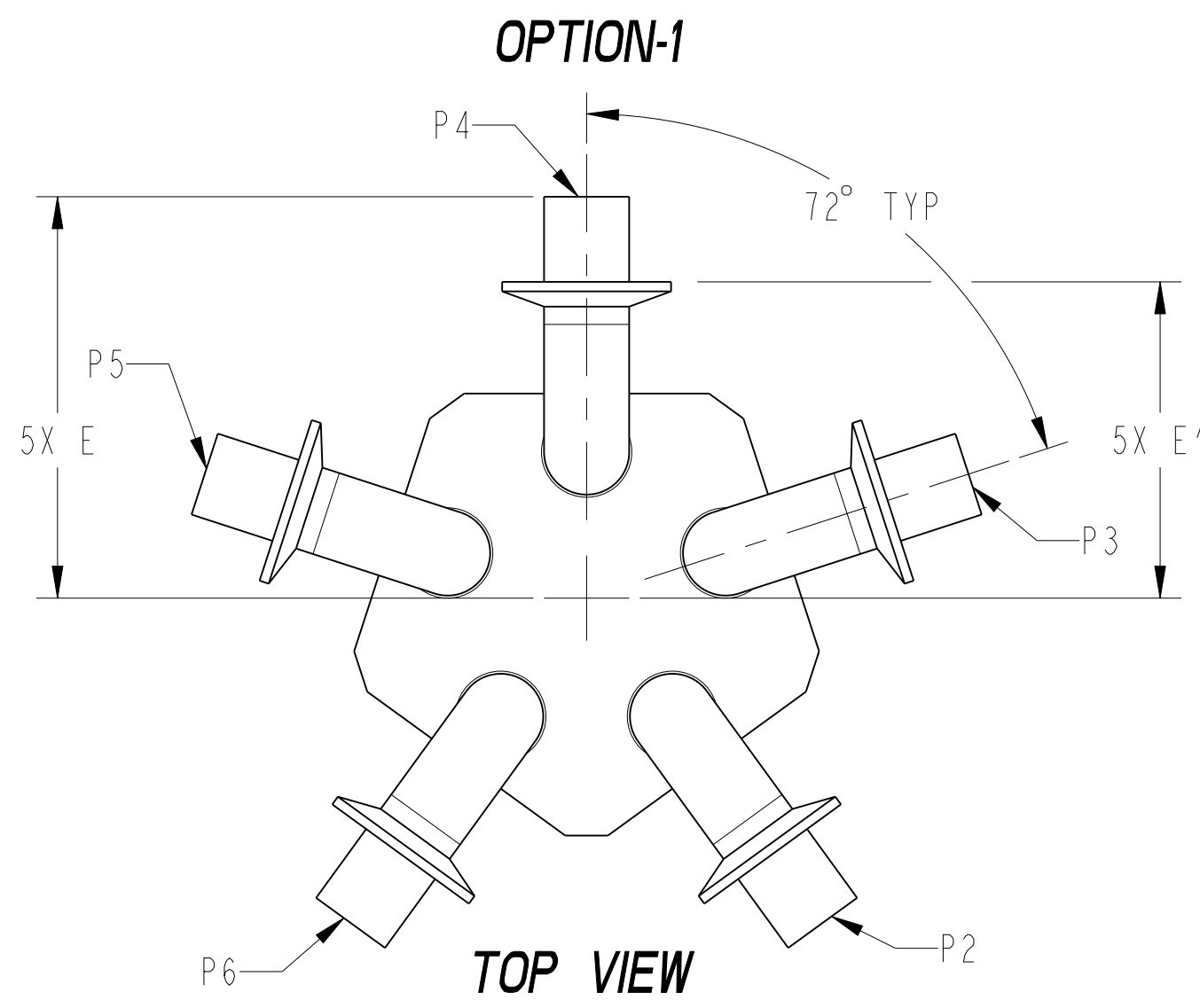
VALVE SIZE	A	A1	B	B1	C	C1	D	D1	E	E1	F	F1	G	H
1/4" BP/BT	1.63 [41,3]	1.26 [31,9]	2.38 [60,3]	2.01 [50,9]	5.88 [149,2]	5.51 [139,8]	(7.28) [184,8]	(5.91) [150,0]	3.64 [92,6]	2.64 [67,2]	4.15 [105,4]	3.15 [80,0]	(2.56) [65,0]	2.75 [69,9]
3/8" BP/BT	1.63 [41,3]	1.26 [31,9]	2.38 [60,3]	2.01 [50,9]	5.88 [149,2]	5.51 [139,8]	(7.68) [194,9]	(6.31) [160,1]	3.64 [92,6]	2.64 [67,2]	4.55 [115,6]	3.55 [90,2]	(2.73) [69,3]	2.75 [69,9]
1/2" BP/BT	1.63 [41,3]	1.26 [31,9]	2.38 [60,3]	2.01 [50,9]	6.25 [158,8]	5.88 [149,4]	(8.00) [203,1]	(6.38) [161,9]	4.02 [102,1]	2.64 [67,2]	4.87 [123,7]	3.62 [91,9]	(2.80) [71,1]	3.13 [79,4]
1/2" PF	1.63 [41,3]	1.26 [31,9]	2.56 [65,1]	2.19 [55,7]	6.63 [168,3]	6.26 [158,9]	(8.37) [212,6]	(6.75) [171,5]	4.32 [109,7]	2.95 [74,8]	4.87 [123,7]	3.62 [91,9]	(3.10) [78,7]	3.13 [79,4]
3/4"	1.63 [41,3]	1.26 [31,9]	2.81 [71,4]	2.44 [62,0]	7.13 [181,0]	6.76 [171,6]	(9.23) [234,4]	(7.61) [193,3]	4.51 [114,5]	3.13 [79,6]	5.23 [132,8]	3.98 [101,1]	(3.40) [86,3]	3.13 [79,4]
1"	1.63 [41,3]	1.26 [31,9]	3.00 [76,2]	2.63 [66,8]	7.50 [190,5]	7.13 [181,1]	(9.87) [250,6]	(8.38) [212,7]	4.72 [119,8]	3.72 [94,4]	5.49 [139,4]	4.37 [111,0]	(3.71) [94,2]	3.13 [79,4]
1-1/2"	1.63 [41,3]	1.26 [31,9]	3.44 [87,3]	3.07 [77,9]	9.13 [231,8]	8.76 [222,4]	(11.70) [297,2]	(10.27) [260,9]	5.93 [150,6]	4.93 [125,2]	6.45 [163,8]	5.39 [136,9]	(4.57) [116,1]	3.88 [98,4]
2"	1.88 [47,6]	1.26 [31,9]	4.00 [101,6]	3.38 [85,9]	11.00 [279,4]	10.38 [263,7]	(13.96) [354,5]	(12.09) [307,0]	7.37 [187,1]	6.12 [155,4]	7.83 [198,9]	6.58 [167,1]	(5.58) [141,7]	4.88 [123,8]
2-1/2"	1.88 [47,6]	1.26 [31,9]	4.94 [125,4]	4.32 [109,7]	13.63 [346,1]	13.01 [330,3]	(17.00) [431,8]	(15.07) [382,8]	9.61 [244,0]	8.36 [212,3]	9.00 [228,6]	7.69 [195,3]	(7.55) [191,9]	5.63 [142,9]
3"	1.88 [47,6]	1.26 [31,9]	4.94 [125,4]	4.32 [109,7]	14.38 [365,1]	13.76 [349,4]	(17.96) [456,2]	(16.09) [408,7]	10.11 [256,7]	8.86 [225,0]	9.96 [253,0]	8.71 [221,2]	(7.70) [195,7]	6.38 [161,9]

TAG NUMBERS					
△ A	1	2	3	4	5
VALVE ASSY	FIRST VALVE	SECOND VALVE	THIRD VALVE	FOURTH VALVE	FIFTH VALVE
1					



LIST OF MAJOR COMPONENTS	
ITEM	DESCRIPTION
1	5DV BODY, (121269)
2	ELBOW 45 DEG WB X WB
3	ELBOW 90 DEG BPE
4	ELBOW 90 DEG BPE W/ TC
5	ELBOW 45 DEG BPE
6	ELBOW 45 DEG BPE W/ TC
7	FERRULE TRI-CLAMP BW
8	TUBE

- NOTES:
- "P" NUMBERS INDICATE PORT CONNECTION
 - TUBE ENDS MEET OR EXCEED THE FOLLOWING TANGENT LENGTHS
1/4" - 1-1/2" = 1-1/2", 2" - 3" = 1-3/4"
 - VALVE MUST BE INSTALLED WITH P1 VERTICALLY (UP OR DOWN) FOR OPTIMAL DRAINABILITY.
 - WELD WILL BE IN AS WELDED CONDITION.
 - FOR TUBE SIZE 1/4" - 3/8" OPTION 2 ONLY SEE DRAWING 121687 WHEN USING BENT TUBE FOR FABRICATION.
 - SEE DRAWING 123677 FOR OPTION-2 ELBOW FABRICATION.



PURE-FLO ORDER: - ITEM: -
 CUSTOMER: -
 CUSTOMER PO: -
 OTHER INFO: -

THIS DOCUMENT IS THE SOLE PROPERTY OF ITT CORPORATION, OR ITS SUBSIDIARY, AND IS PROVIDED SUBJECT TO RETURN. IT IS ISSUED IN STRICT CONFIDENCE AND SHALL NOT BE REPRODUCED, OR COPIED, OR DISCLOSED IN WHOLE OR IN PART, OR USED AS THE BASIS FOR THE MANUFACTURE OR SALES OF APPARATUS OR PARTS TO WHICH THE DOCUMENT RELATES, WITHOUT THE EXPRESS WRITTEN CONSENT OF ITT CORPORATION, OR ITS SUBSIDIARY. THIS LEGEND SHALL BE MARKED ON ANY REPRODUCTION HEREOF, IN WHOLE OR IN PART. ALL RIGHTS TO THE INFORMATION AND DESIGN DISCLOSED HEREIN ARE RESERVED TO ITT CORPORATION, OR ITS SUBSIDIARY.

THIRD ANGLE PROJECTION

 UNLESS OTHERWISE SPECIFIED, ALL DIMENSIONS ARE IN INCHES

UNLESS OTHERWISE NOTED
 INCH MM
 X ± 0.06 X ± 1.5
 .XX ± 0.06 .XX ± 1.5
 .XXX ± 0.02 .XXX ± 1.5
 X/XX ± 1/16 X ± 1.5
 X ± 1.5 X ± 1.5

DATE	BY
06/14/18	LFV
CHKD	NLD
06/14/18	
APVD	MMA
06/14/18	

1/4" TO 3" 5-WAY DIVERT VALVE ASSY. OPTIONS 1 & 2 TCE & AWE TABULATED

ITT
 www.ittpureflo.com
 D A26864 SHEET 1 OF 1 REV C
 MASTER DWG: A26864/C ECN# 15346 ISSUE BY: - CERT BY: -