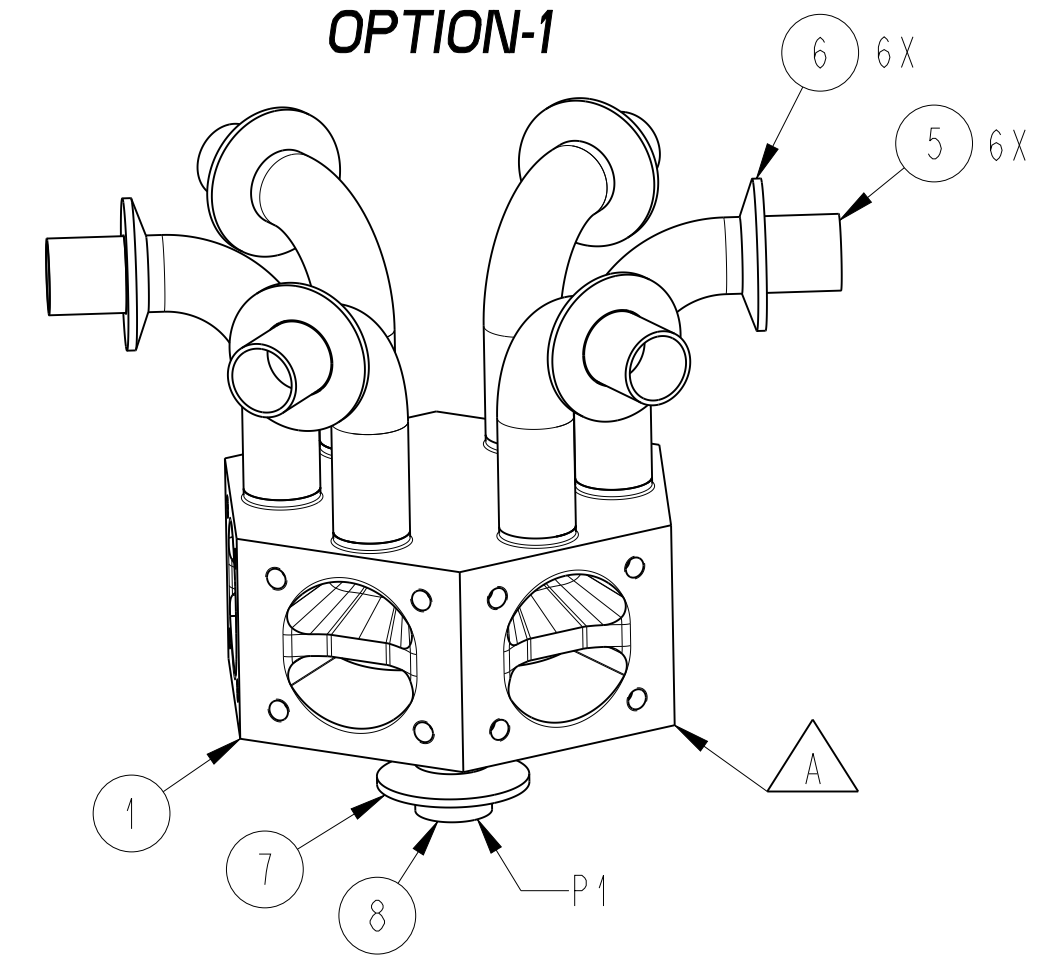
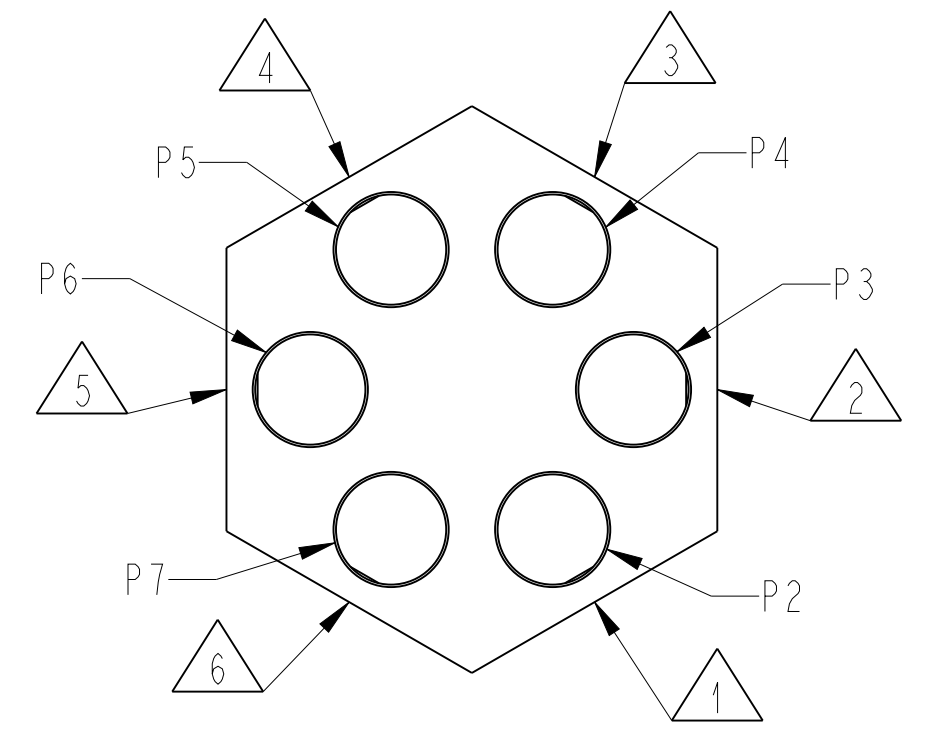
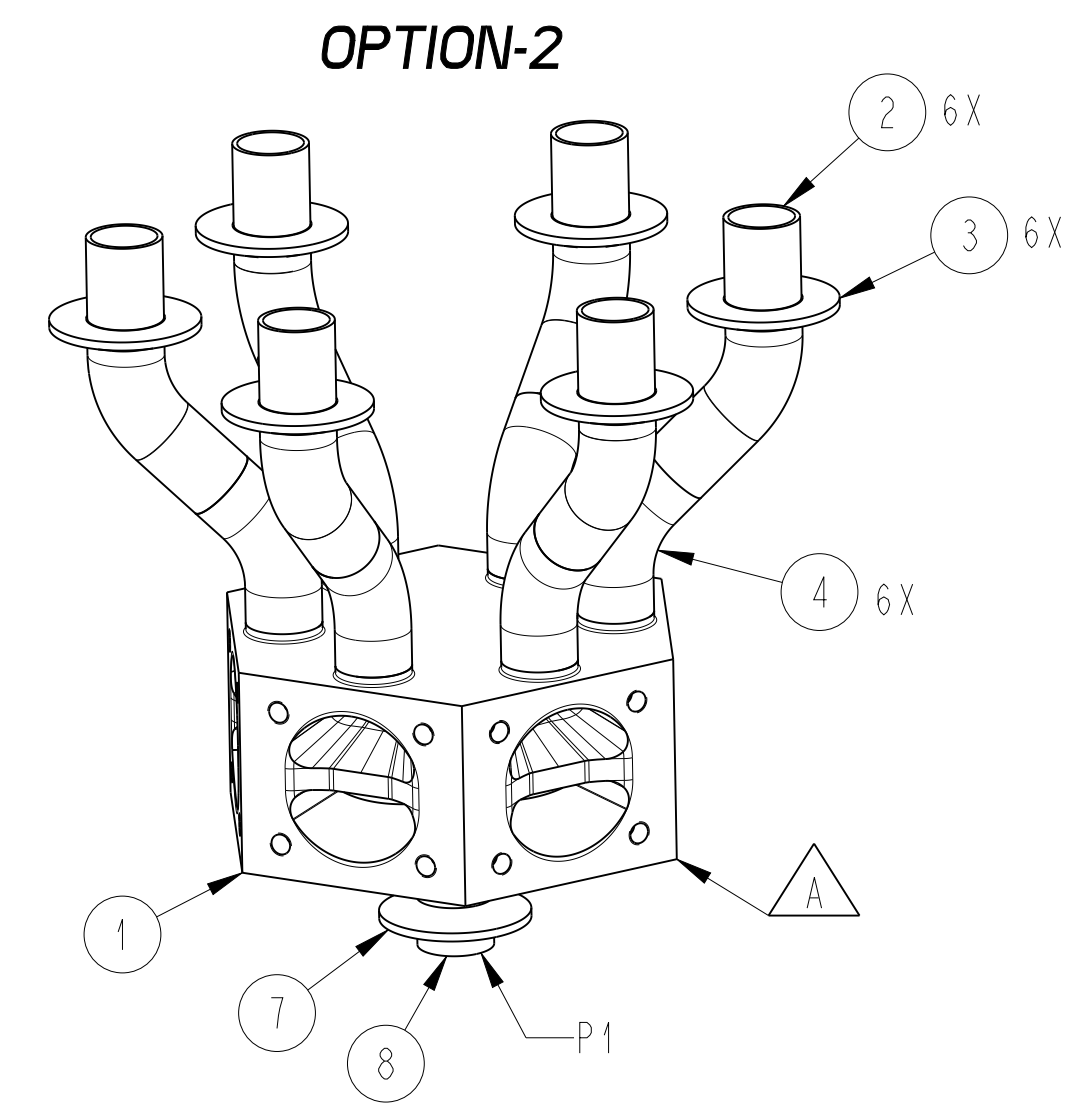
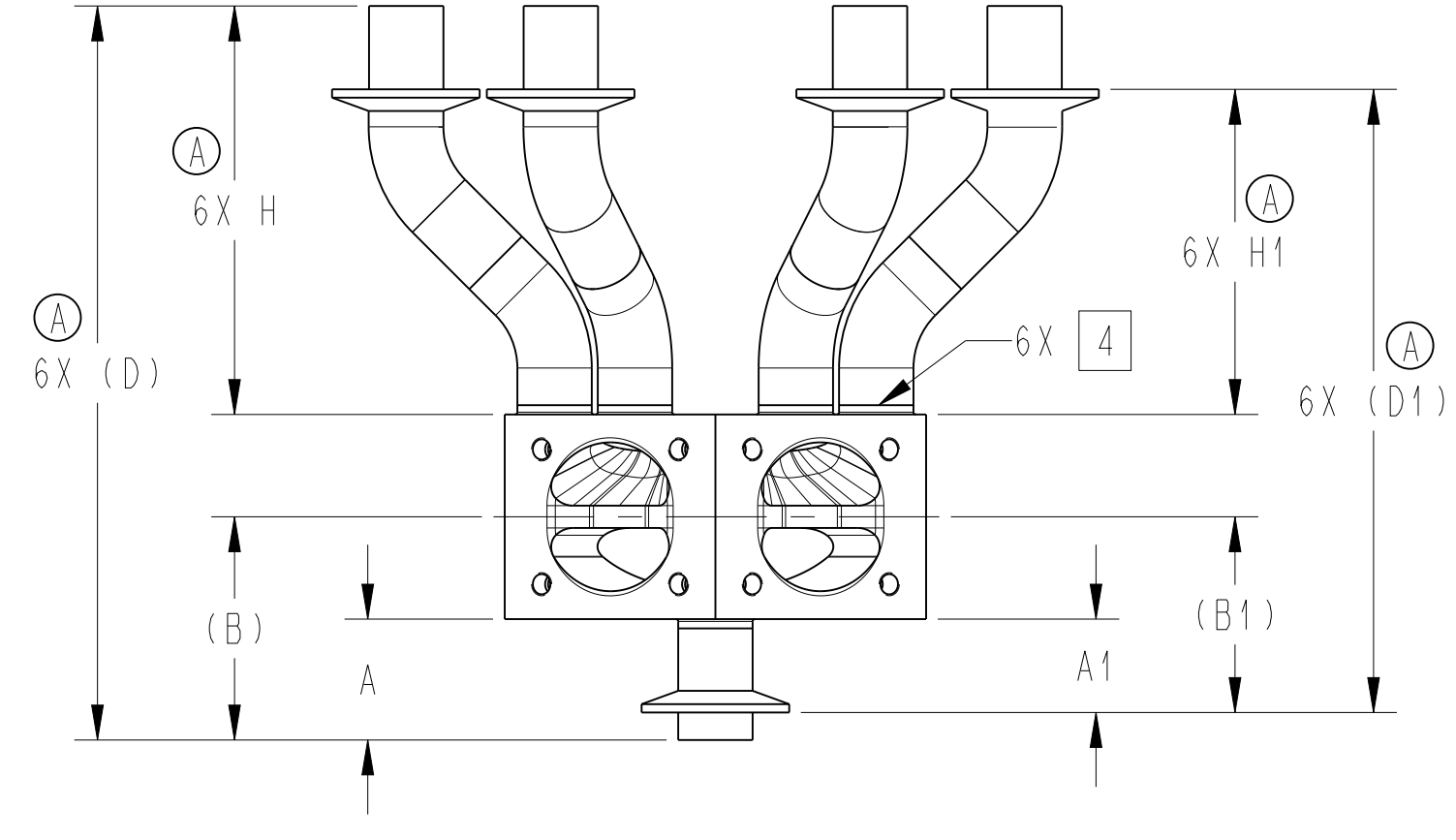
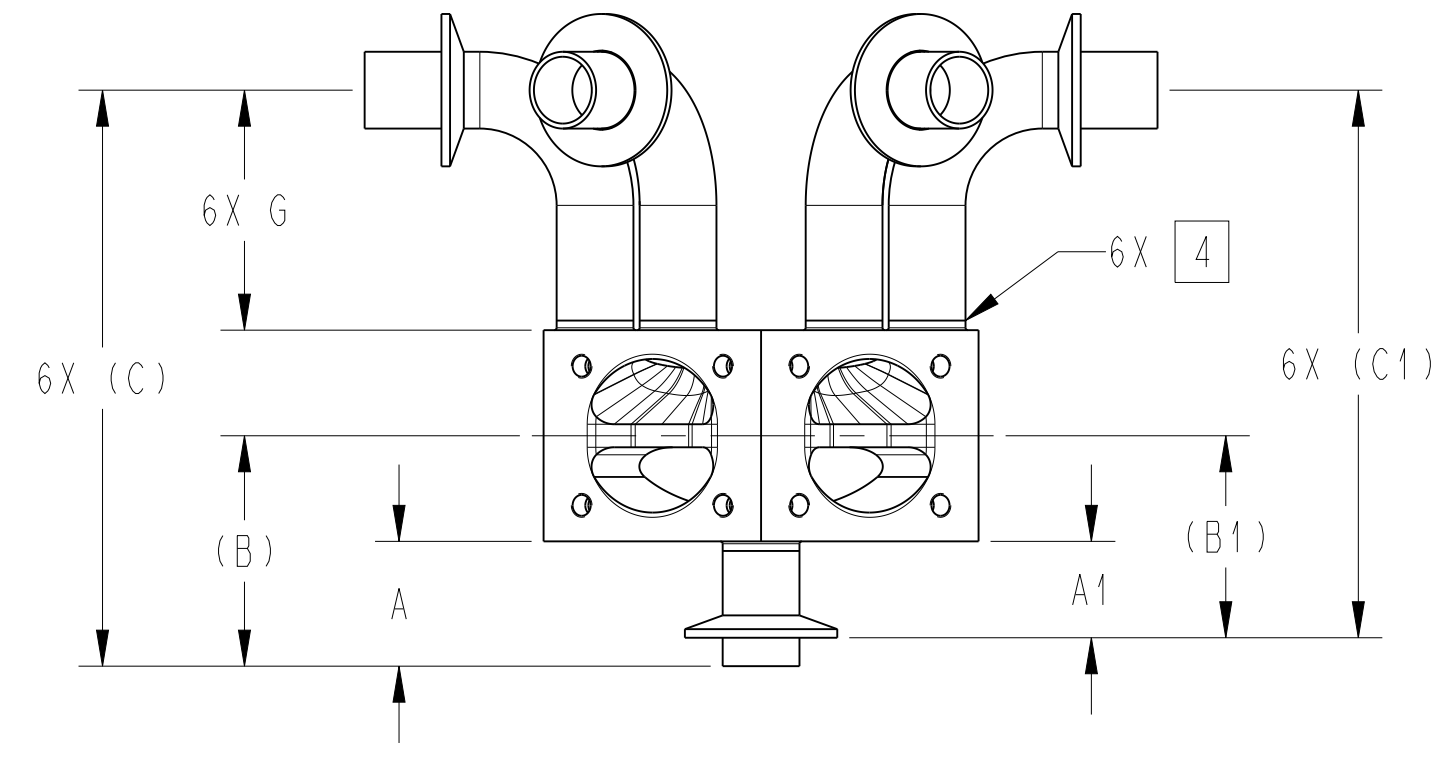


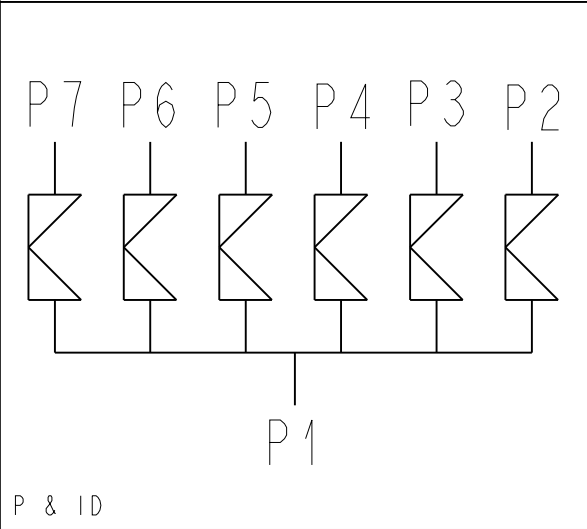
TAG NUMBERS							
	A	1	2	3	4	5	6
	VALVE ASSY	FIRST VALVE	SECOND VALVE	THIRD VALVE	FOURTH VALVE	FIFTH VALVE	SIXTH VALVE
1							

LIST OF MAJOR COMPONENTS	
ITEM	DESCRIPTION
1	6DV (121818)
2	ELBOW 45 DEG BPE
3	ELBOW 45 DEG BPE W/ TC
4	ELBOW 45 DEG
5	ELBOW 90 DEG BPE
6	ELBOW 90 DEG BPE W/ TC
7	FERRULE TRI-CLAMP BW
8	TUBE



VALVE SIZE	A	A1	B	B1	C	C1	D	D1	E	E1	F	G	H	H1
1/4" BP	1.63	1.26	2.36	1.99	5.85	5.48	7.25	5.88	3.87	2.87	2.79	2.75	4.15	3.15
1/4" BT	[41,3]	[31,9]	[59,9]	[50,5]	[148,5]	[139,1]	[184,0]	[149,2]	[98,4]	[73,0]	[70,9]	[69,9]	[105,4]	[80,0]
3/8" BP	1.63	1.26	2.36	1.99	5.85	5.48	7.65	6.28	3.87	2.87	2.96	2.75	4.55	3.55
3/8" BT	[41,3]	[31,9]	[59,9]	[50,5]	[148,5]	[139,1]	[194,2]	[159,4]	[98,4]	[73,0]	[75,1]	[69,9]	[115,6]	[90,2]
1/2" BP	1.63	1.26	2.36	1.99	6.22	5.85	7.97	6.35	4.25	2.87	3.03	3.13	4.87	3.62
1/2" BT	[41,3]	[31,9]	[59,9]	[50,5]	[158,0]	[148,6]	[202,3]	[161,2]	[107,9]	[73,0]	[76,9]	[79,4]	[123,7]	[91,9]
1/2" PF	1.63	1.26	2.57	2.20	6.63	6.26	8.38	6.76	4.93	3.55	3.71	3.13	4.87	3.62
3/4"	1.63	1.26	2.79	2.42	7.07	6.70	9.18	7.56	5.11	3.73	4.00	3.13	5.23	3.98
1"	1.63	1.26	3.00	2.63	7.50	7.13	9.87	8.38	5.16	4.16	4.16	3.13	5.49	4.37
1-1/2"	1.63	1.26	3.44	3.07	9.13	8.76	11.71	10.28	6.62	5.62	5.26	3.88	6.45	5.39
2"	1.88	1.26	4.00	3.38	11.00	10.38	13.96	12.09	8.13	6.88	6.34	4.88	7.83	6.58
2-1/2"	1.88	1.26	4.94	4.32	13.63	13.01	17.01	15.08	11.02	9.77	8.97	5.63	9.00	7.69
3"	1.88	1.26	4.94	4.32	14.38	13.76	17.97	16.10	10.97	9.72	8.57	6.38	9.96	8.71

- NOTES:
- "P" NUMBERS INDICATE PORT CONNECTIONS.
 - TUBE ENDS MEET OR EXCEED THE FOLLOWING TANGENT LENGTHS
1/4" - 1-1/2" = 1-1/2", 2" - 4" = 1-3/4"
 - VALVE MUST BE INSTALLED WITH P1 VERTICALLY (UP OR DOWN) FOR OPTIMAL DRAINABILITY.
 - WELD WILL BE LEFT IN AS WELDED CONDITION.
 - FOR TUBE SIZE 1/4" - 3/8" OPTION 2 ONLY SEE DRAWING 121687 WHEN USING BENT TUBE FOR FABRICATION.
 - SEE DRAWING 123677 FOR OPTION-2 ELBOW FABRICATION.



PURE-FLO ORDER: _____ ITEM: _____
 CUSTOMER: _____
 CUSTOMER PO: _____
 OTHER INFO: _____

THIS DOCUMENT IS THE SOLE PROPERTY OF ITT CORPORATION, OR ITS SUBSIDIARY, AND IS PROVIDED SUBJECT TO RETURN. IT IS ISSUED IN STRICT CONFIDENCE AND SHALL NOT BE REPRODUCED, OR COPIED, OR DISCLOSED IN WHOLE OR IN PART, OR USED AS THE BASIS FOR THE MANUFACTURE OR SALES OF APPARATUS OR PARTS TO WHICH THE DOCUMENT RELATES, WITHOUT THE EXPRESS WRITTEN CONSENT OF ITT CORPORATION, OR ITS SUBSIDIARY. THIS LEGEND SHALL BE MARKED ON ANY REPRODUCTION HEREOF, IN WHOLE OR IN PART. ALL RIGHTS TO THE INFORMATION AND DESIGN DISCLOSED HEREIN ARE RESERVED TO ITT CORPORATION, OR ITS SUBSIDIARY.

THIRD ANGLE PROJECTION	UNLESS OTHERWISE NOTED INCH MM	DATE 06/06/18	BY LFV	6-WAY DIVERT VALVE ASSY. OPTIONS 1 AND 2 TCE AND AWE, TABULATED																											
UNLESS OTHERWISE SPECIFIED, ALL DIMENSIONS ARE IN INCHES	<table border="1"> <tr> <td>X</td><td>±0.06</td> <td>X</td><td>±1.5</td> </tr> <tr> <td>.XX</td><td>±0.06</td> <td>.XX</td><td>±.5</td> </tr> <tr> <td>.XXX</td><td>±0.02</td> <td>.XX</td><td>±.5</td> </tr> <tr> <td>.XXX</td><td>±.016</td> <td>.XX</td><td>±.5</td> </tr> <tr> <td>.X</td><td>±.01</td> <td>.XX</td><td>±.5</td> </tr> </table>	X	±0.06				X	±1.5	.XX	±0.06	.XX	±.5	.XXX	±0.02	.XX	±.5	.XXX	±.016	.XX	±.5	.X	±.01	.XX	±.5	CHKD 06/06/18	NLD	<table border="1"> <tr> <td>SHEET</td> <td>REV</td> </tr> <tr> <td>1 OF 1</td> <td>A</td> </tr> </table>	SHEET	REV	1 OF 1	A
X	±0.06	X	±1.5																												
.XX	±0.06	.XX	±.5																												
.XXX	±0.02	.XX	±.5																												
.XXX	±.016	.XX	±.5																												
.X	±.01	.XX	±.5																												
SHEET	REV																														
1 OF 1	A																														
APVD 06/06/18	MMA	MASTER DWG: A27582/A	ECN# 15346	ISSUE BY:	CERT BY:																										