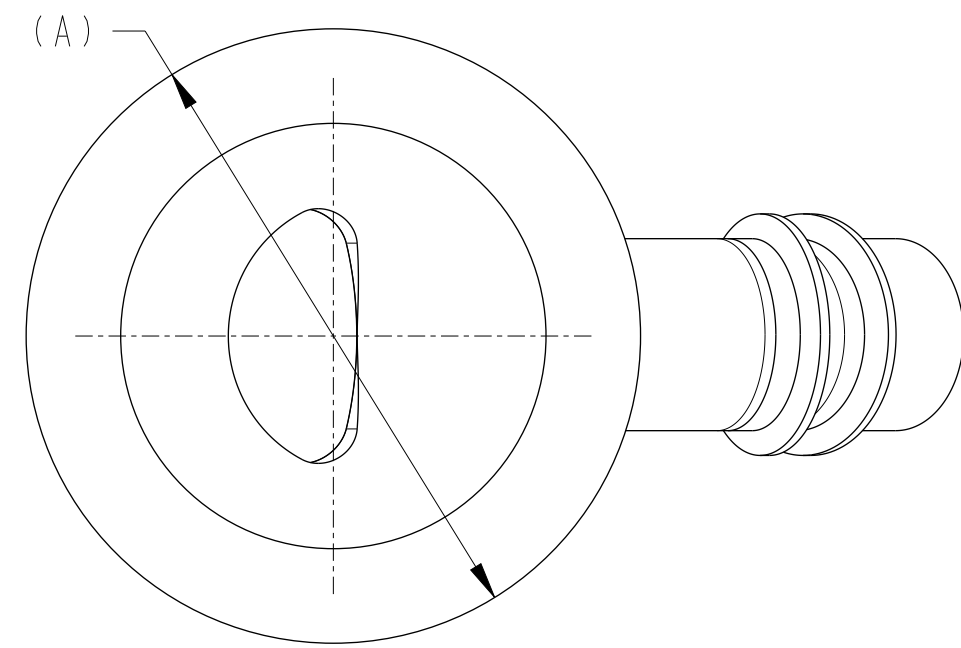


TBV ASSY	(A)	(B1)	(B2)	(B3)	(B4)	(C1)	(C2)	(C3)	(C4)	D1	D2	D3	D4	(E)	BODY
1/2"	(2.94) [74,7]	(2.68) [68,0]	(2.46) [62,5]	(3.15) [79,9]	(3.93) [99,8]	(2.29) [58,2]	(2.17) [55,0]	(2.76) [70,0]	(3.54) [89,9]	1.88 [47,6]	1.63 [41,3]	2.52 [63,9]	3.59 [91,1]	(0.50) [12,7]	123360
3/4" R	(2.94) [74,7]	(2.74) [69,6]	(2.53) [64,1]	(3.21) [81,6]	(4.00) [101,7]	(2.18) [55,4]	(2.05) [52,2]	(2.64) [67,2]	(3.43) [87,2]	1.88 [47,6]	1.63 [41,3]	2.52 [63,9]	3.60 [91,3]	(0.50) [12,7]	124780
3/4"	(4.25) [108,0]	(3.10) [78,7]	(2.88) [73,2]	(3.57) [90,6]	(4.36) [110,7]	(2.58) [65,5]	(2.45) [62,3]	(3.04) [77,3]	(3.83) [97,3]	1.88 [47,6]	1.63 [41,3]	2.52 [63,9]	3.60 [91,3]	(0.50) [12,7]	123361
1"	(4.25) [108,0]	(3.16) [80,3]	(2.94) [74,8]	(3.71) [94,3]	(4.42) [112,3]	(2.47) [62,7]	(2.34) [59,5]	(2.99) [76,1]	(3.70) [94,1]	1.88 [47,6]	1.63 [41,3]	2.62 [66,4]	3.59 [91,1]	(0.50) [12,7]	123362
1-1/2"	(6.25) [158,8]	(4.05) [103,0]	(3.84) [97,5]	(4.76) [121,0]	(5.47) [138,9]	(2.95) [74,8]	(2.82) [71,7]	(3.60) [91,3]	(4.30) [109,2]	1.88 [47,6]	1.63 [41,3]	2.82 [71,5]	3.78 [95,9]	(0.75) [19,1]	123307
2"	(6.40) [162,6]	(4.54) [115,4]	(4.11) [104,4]	(4.97) [126,3]	(5.86) [148,8]	(3.05) [77,6]	(2.80) [71,2]	(3.57) [90,7]	(4.46) [113,2]	2.38 [60,3]	1.88 [47,6]	3.01 [76,3]	4.22 [107,1]	(0.75) [19,1]	124377

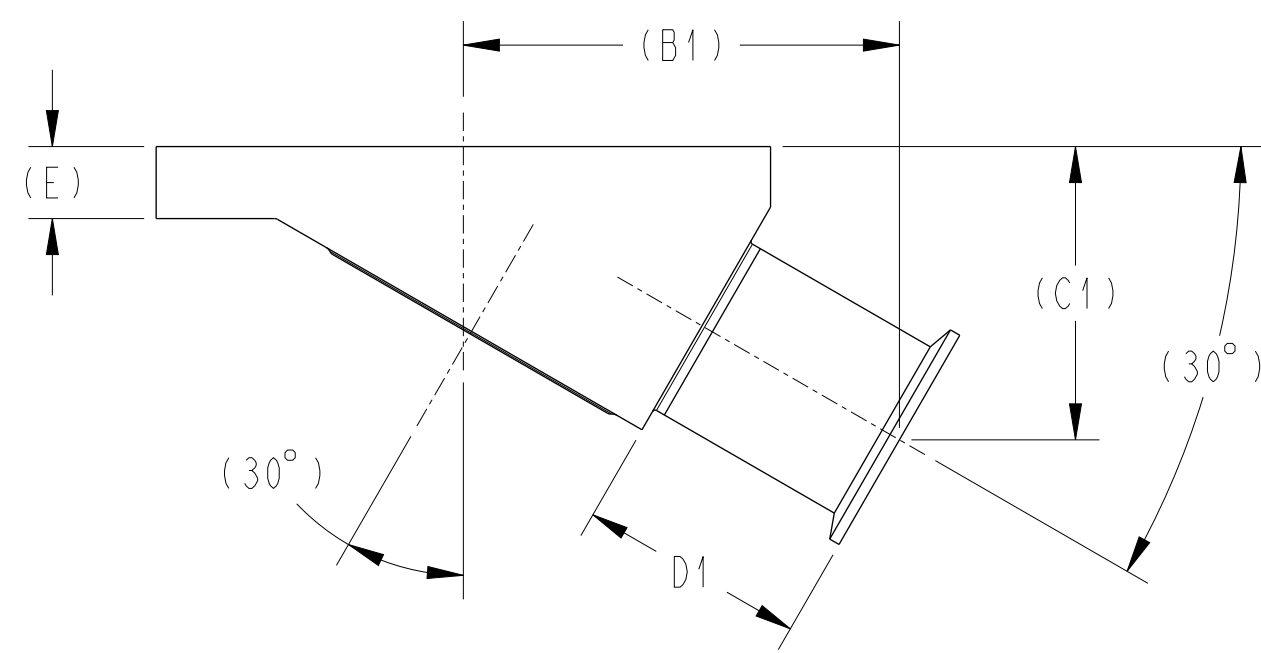


TOP VIEW

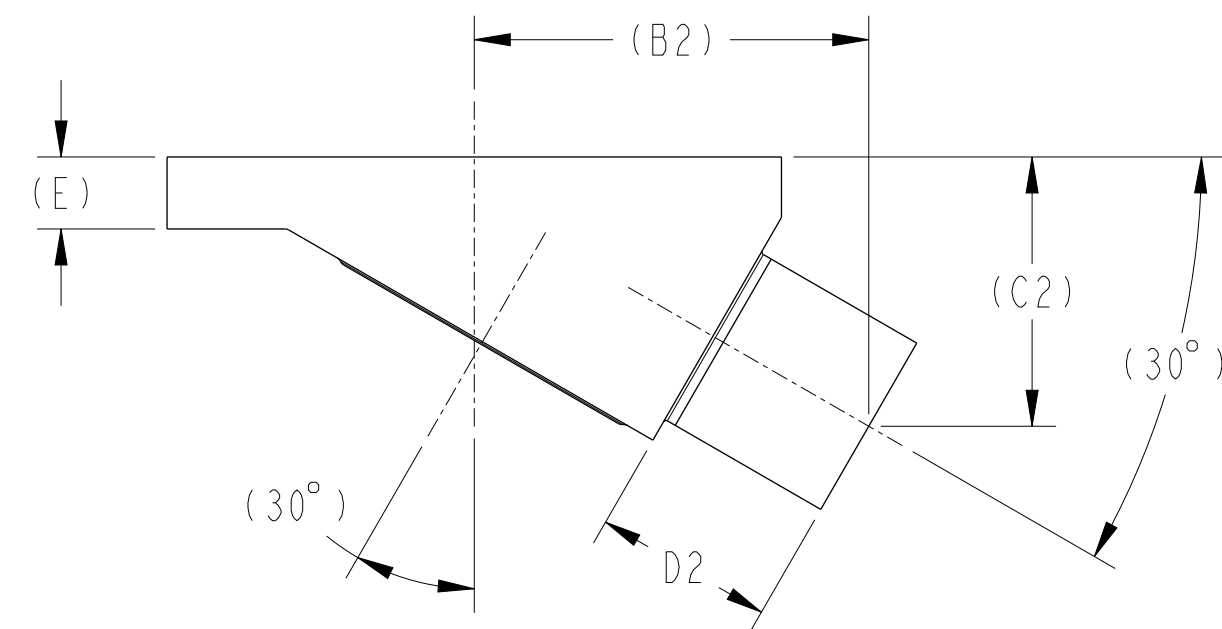
ⓑ

NOTES:

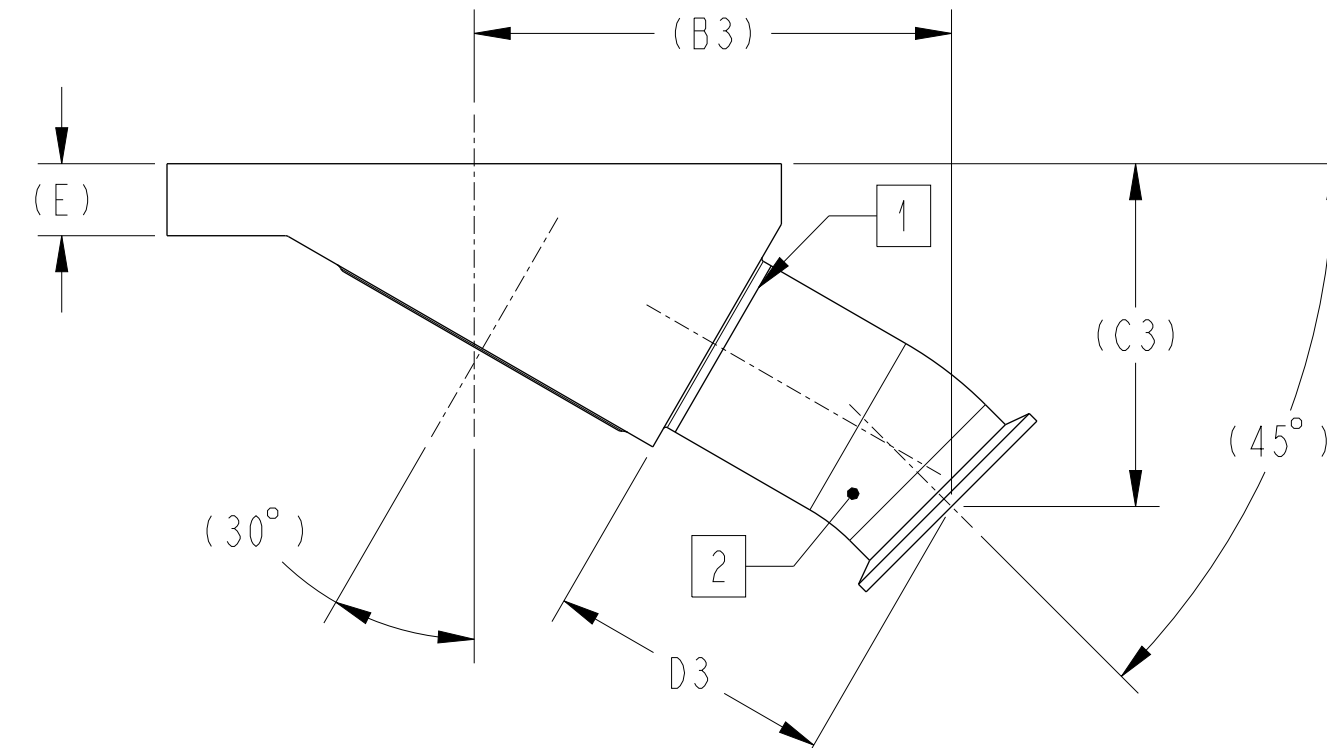
1. INTERNAL WELD WILL BE LEFT IN THE AS WELDED CONDITION.
2. REFER TO THE FOLLOWING DRAWINGS FOR ELBOW FABRICATION.
*TC - 115202
*BW - 117915



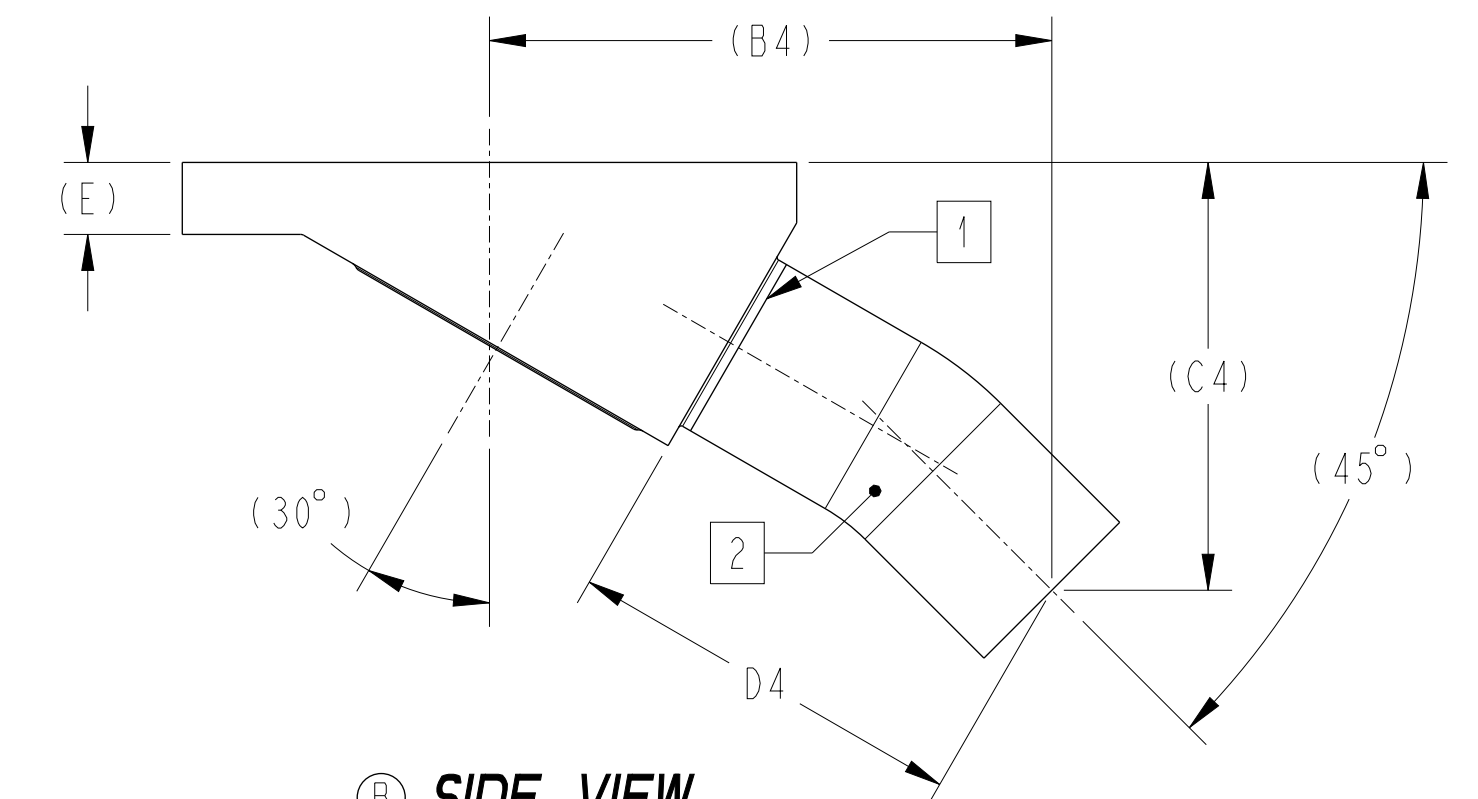
SIDE VIEW
STANDARD TC



SIDE VIEW
STANDARD BW



ⓑ SIDE VIEW
45 DEGREE TC



ⓑ SIDE VIEW
45 DEGREE BW

PURE-FLO ORDER: - ITEM: -
CUSTOMER: -
CUSTOMER PO: -
OTHER INFO: -

THIS DOCUMENT IS THE SOLE PROPERTY OF ITT CORPORATION, OR ITS SUBSIDIARY, AND IS PROVIDED SUBJECT TO RETURN. IT IS ISSUED IN STRICT CONFIDENCE AND SHALL NOT BE REPRODUCED, OR COPIED, OR DISCLOSED IN WHOLE OR IN PART, OR USED AS THE BASIS FOR THE MANUFACTURE OR SALES OF APPARATUS OR PARTS TO WHICH THE DOCUMENT RELATES, WITHOUT THE EXPRESS WRITTEN CONSENT OF ITT CORPORATION, OR ITS SUBSIDIARY. THIS LEGEND SHALL BE MARKED ON ANY REPRODUCTION HEREOF, IN WHOLE OR IN PART. ALL RIGHTS TO THE INFORMATION AND DESIGN DISCLOSED HEREIN ARE RESERVED TO ITT CORPORATION, OR ITS SUBSIDIARY.

THIRD ANGLE PROJECTION
UNLESS OTHERWISE NOTED
INCH MM
X ± 0.06 X ± 1.5
.XX ± 0.06 X ± 1.5
.XXX ± 0.02 X ± 1.5
X ± 1/16 X ± 1.5
X ± 1/32 X ± 1.5

DATE BY
DWN 11/14/22 LJV
CHKD 11/14/22 KRP
APVD 11/14/22 TJS

TANK BOTTOM
ENVIZION VALVE
BODY ASSY.
MASTER DWG: A31535/B ECN# 18927

ITT
www.ittpureflo.com
SHEET 1 OF 1 REV B
D A31535
ISSUE BY: - CERT BY: -