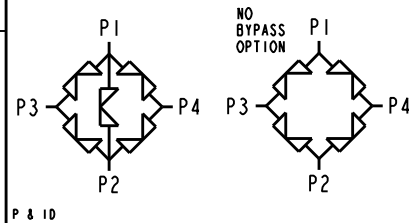


FIGURE NUMBERS

- ▲ 1
- ▲ 2
- ▲ 3
- ▲ 4
- ▲ 5



TAG NUMBERS

▲ 1	▲ 2	▲ 3	▲ 4	▲ 5	
VALVE ASSY	FIRST VALVE	SECOND VALVE	THIRD VALVE	FOURTH VALVE	FIFTH VALVE

LIST OF MAJOR COMPONENTS

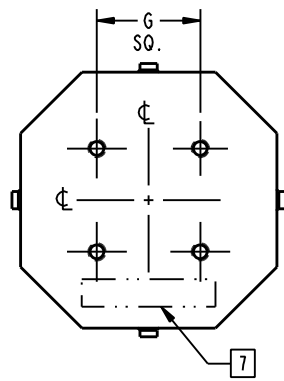
ITEM	DESCRIPTION	QTY
1	CHROMATOGRAPHY VALVE BODY, SEE TABLE	1
2	SANITARY CLAMP FTG. (AS APPLICABLE)	4
3	TUBE	AR

DIMENSIONS

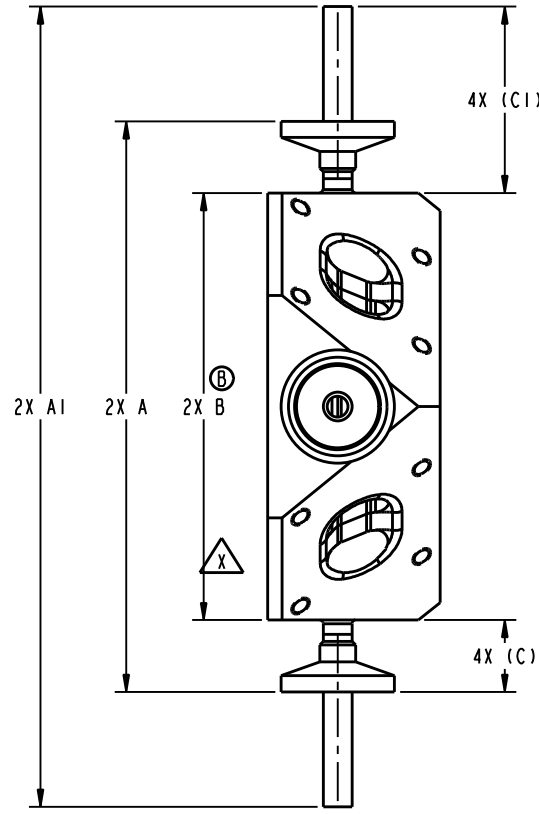
NOTE: ALL DIMENSIONS IN BRACKETS [] ARE MILLIMETERS

VALVE SIZE (SEE NOTE 1)	A	A1	B [Ⓟ]	C	C1	E	F	WT 316L LBS (KG) (SEE NOTE 4)	ITT. REF # CHRO/CHD
1/4" BT	4.97 [126,2]	6.97 [177,0]	3.72 [94,5]	0.63 [16,0]	1.63 [41,3]	0.61 [15,5]	1.50 [38,1]	3.8 (1.72)	M10048/ M10736
3/8" BT	4.97 [126,2]	6.98 [177,3]	3.72 [94,5]	0.62 [15,9]	1.63 [41,4]	0.67 [17,0]	1.50 [38,1]	3.7 (1.65)	M10735/ M10737
1/2" BT	4.97 [126,2]	6.98 [177,3]	3.72 [94,5]	0.63 [15,9]	1.63 [41,4]	0.70 [17,9]	1.50 [38,1]	3.9 (1.70)	M10727/ M10738
1/2" PF	6.20 [157,5]	8.21 [208,5]	4.95 [125,7]	0.63 [15,9]	1.63 [41,4]	0.83 [21,0]	2.00 [50,8]	7.9 (3.59)	M10124/ M10122
3/4"	6.77 [172,1]	8.77 [222,9]	5.52 [140,3]	0.63 [15,9]	1.63 [41,3]	1.02 [25,9]	2.42 [61,5]	11.9 (5.39)	M10126/ M10121
1"	9.24 [234,7]	10.00 [254,1]	6.74 [171,2]	1.25 [31,8]	1.63 [41,4]	1.05 [26,6]	2.63 [66,9]	18.9 (8.57)	M10119/ M10110
1-1/2"	11.50 [292,1]	12.26 [311,4]	9.00 [228,6]	1.25 [31,8]	1.63 [41,4]	1.45 [36,8]	3.59 [91,3]	44.6 (20.23)	M10120/ M10123
2"	13.71 [348,3]	14.96 [379,9]	11.21 [284,8]	1.25 [31,8]	1.87 [47,6]	1.93 [49,0]	4.46 [113,3]	85.8 (38.90)	M10390/ M10739
2-1/2"	18.42 [467,9]	19.66 [499,4]	15.91 [404,1]	1.25 [31,9]	1.88 [47,6]	2.51 [63,8]	6.50 [165,1]	227.7 (103.38)	M11853/

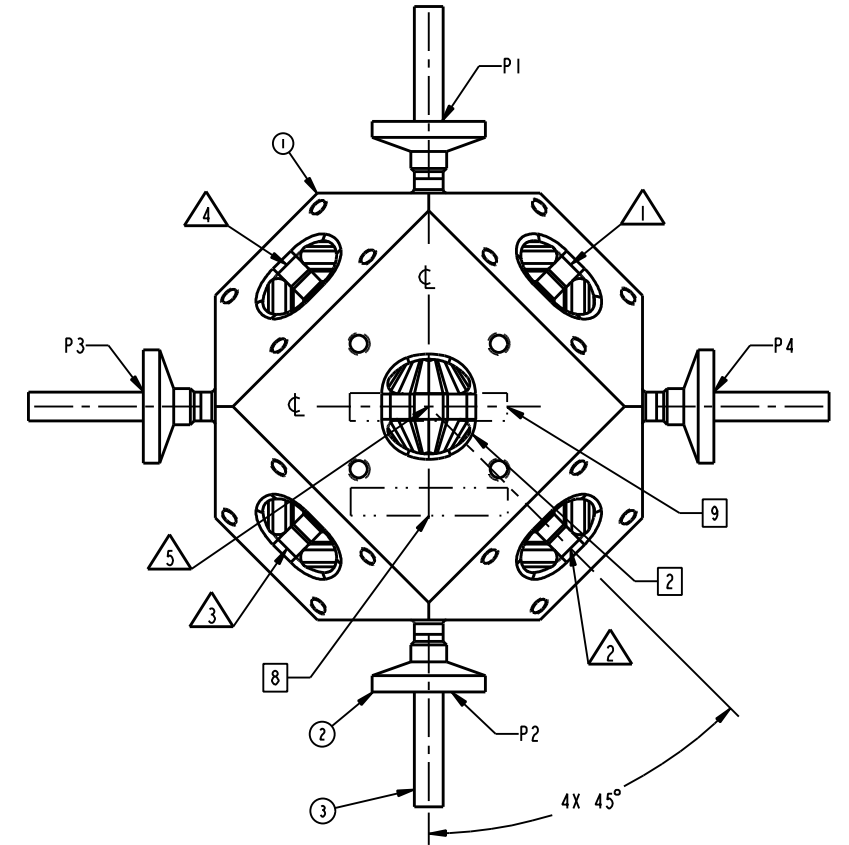
OPTIONAL MOUNTING HOLES



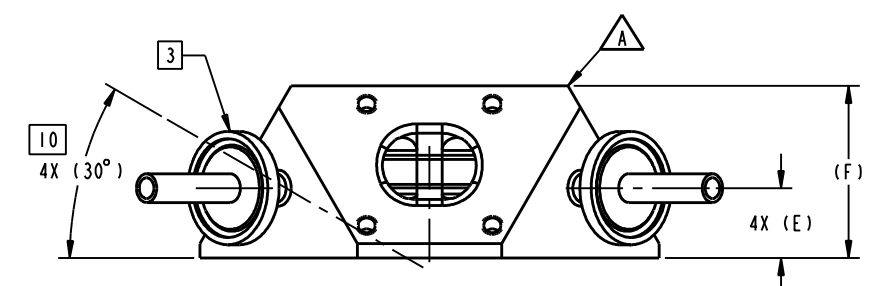
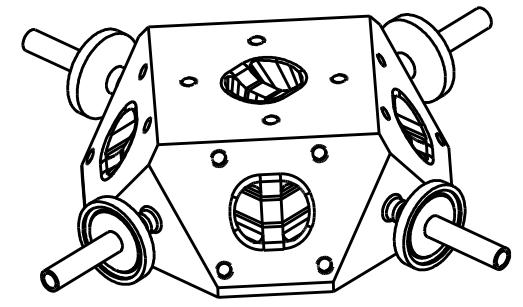
VALVE SIZE	G	DRILL x DEPTH	THREAD x DEPTH
1/4" BT	1.500 [38,10]	0.201 x 0.438 [5,11 x 11,13]	1/4-20 UNC x 0.375 [9,52]
3/8" BT	1.500 [38,10]	0.201 x 0.438 [5,11 x 11,13]	1/4-20 UNC x 0.375 [9,52]
1/2" BT	1.500 [38,10]	0.201 x 0.438 [5,11 x 11,13]	1/4-20 UNC x 0.375 [9,52]
1/2" PF	2.000 [50,80]	0.201 x 0.438 [5,11 x 11,13]	1/4-20 UNC x 0.375 [9,52]
3/4"	2.500 [63,50]	0.257 x 0.562 [6,53 x 14,29]	5/16-18 UNC x 0.500 [12,7]
1"	3.000 [76,20]	0.257 x 0.562 [6,53 x 14,29]	5/16-18 UNC x 0.500 [12,7]
1-1/2"	4.000 [101,60]	0.312 x 0.625 [7,92 x 15,88]	3/8-16 UNC x 0.562 [14,27]
2"	5.000 [127,00]	0.312 x 0.625 [7,92 x 15,88]	3/8-16 UNC x 0.562 [14,27]
2-1/2"	7.78 [197,6]	0.656 x 1.175 [16,67 x 44,45]	3/4-10 UNC x 1.500 [38,1]



SIDE VIEW



TOP VIEW



**FRONT VIEW
(ROTATED 45° FOR CLARITY)**

- NOTES:**
- 1/4"-1/2" BT ARE BIO-TEK SIZES.
 - CENTER VALVE IS REMOVED FOR 'NO BYPASS' OPTION.
 - VALVE IS SHOWN WITH SANITARY CLAMP FITTINGS SUPERIMPOSED ON TUBE ENDS.
 - WEIGHT IS FOR THE BODY WITHOUT THE "BYPASS" VALVE IN 316L MATERIAL. BODY WEIGHT WILL BE APPROXIMATELY 10% LESS WHEN THE "BYPASS" VALVE IS INCLUDED. WEIGHT CALCULATED BASE ON THEORETICAL VALUES. ACTUAL WEIGHT MAY VARY.
 - PROTECTED BY THE FOLLOWING PATENTS: 5,906,223 & 6,112,767
 - CAN BE MOUNTED HORIZONTALLY OR VERTICALLY WITH P1 OR P2 ON TOP.
 - ITT MARKING LOCATION WHEN BYPASS IS PRESENT FOR SIZES: BT-3/4"
 - ITT MARKING LOCATION WHEN BYPASS IS PRESENT FOR SIZES 1", 1-1/2", 2"
 - ITT MARKING LOCATION WHEN BYPASS VALVE IS NOT PRESENT, ALL SIZES.
 - BONNET MOUNTING ANGLE.

PURE-FLO ORDER: _____ ITEM: _____
 CUSTOMER: _____
 CUSTOMER PO: _____
 OTHER INFO: _____

THIS DOCUMENT IS THE SOLE PROPERTY OF ITT CORPORATION, OR ITS SUBSIDIARY, AND IS PROVIDED SUBJECT TO RETURN. IT IS ISSUED IN STRICT CONFIDENCE AND SHALL NOT BE REPRODUCED, OR COPIED, OR DISCLOSED IN WHOLE OR IN PART, OR USED AS THE BASIS FOR THE MANUFACTURE OR SALES OF APPARATUS OR PARTS TO WHICH THE DOCUMENT RELATES, WITHOUT THE EXPRESS WRITTEN CONSENT OF ITT CORPORATION, OR ITS SUBSIDIARY. THIS LEGEND SHALL BE MARKED ON ANY REPRODUCTION HEREOF, IN WHOLE OR IN PART. ALL RIGHTS TO THE INFORMATION AND DESIGN DISCLOSED HEREIN ARE RESERVED TO ITT CORPORATION, OR ITS SUBSIDIARY.

THIRD ANGLE PROJECTION	UNLESS OTHERWISE NOTED	DATE	BY	CHROMATOGRAPHY VALVE ASSY. TABULATED 1/4" - 2-1/2"
	INCH X: ± 0.06 XX: ± 0.06 XXX: ± 0.02 1/2 X: ± 1.3 XX: ± 1.3 XXX: ± 1.5 1/16 X: ± 0.06 XX: ± 0.06 XXX: ± 0.02 1/16	DWN 10/24/11	LFV	
UNLESS OTHERWISE SPECIFIED, ALL DIMENSIONS ARE IN INCHES (MM)		CHKD 10/24/11	MMA	
		APVD 10/24/11	JRD	
		MASTER DWG: A10062/B	ECN# 13960	ISSUE BY: _____ CERT BY: _____

ITT Pure-Flo
www.ittpureflo.com
 D A10062 SHEET 1 OF 1 REV B