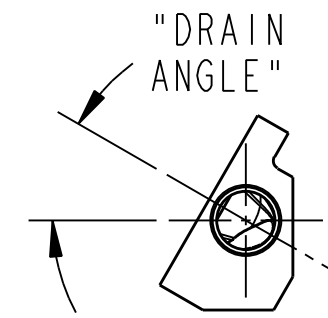
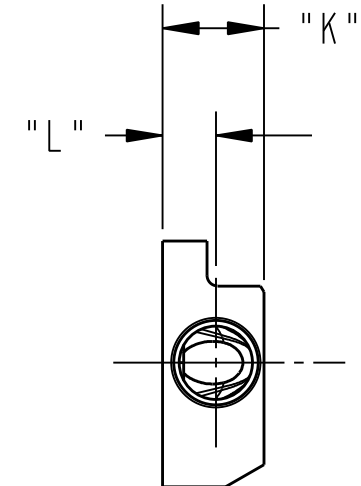


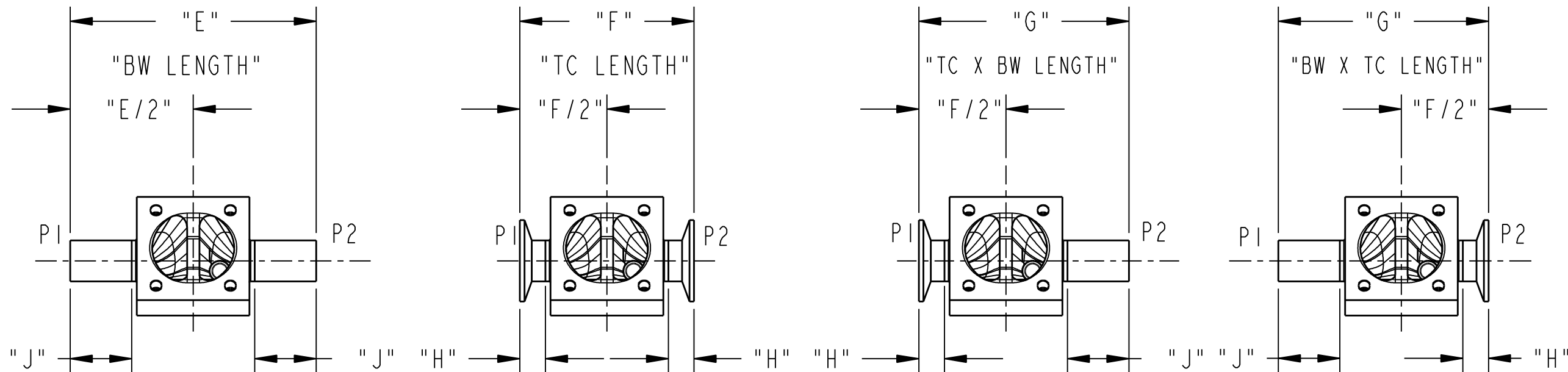
VALVE SIZE	DRAIN ANGLE	E BW LENGTH	F TC LENGTH	G TC X BW LENGTH AND BW X TC LENGTH	H	J	K	L
BIO-PURE/ BIO-TEK	30°	4.72 [119,9]	2.50 [63,5]	3.61 [91,7]	0.39 [9,9]	1.50 [38,1]	0.82 [20,8]	0.38 [9,7]
0.50 [15]	30°	5.13 [130,3]	3.50 [88,9]	4.32 [109,7]	0.69 [17,4]	1.50 [38,1]	0.88 [22,4]	0.34 [8,6]
0.75 [20]	30°	5.57 [141,5]	4.00 [101,6]	4.79 [121,7]	0.72 [18,2]	1.50 [38,1]	1.11 [28,2]	0.50 [12,7]
1.00 [25]	30°	6.00 [152,4]	4.50 [114,3]	5.25 [133,4]	0.75 [19,1]	1.50 [38,1]	1.33 [33,8]	0.63 [16,0]
1.50 [40]	28°	6.94 [176,3]	5.50 [139,7]	6.22 [158,0]	0.78 [19,8]	1.50 [38,1]	1.85 [47,0]	0.90 [22,9]
2.00 [50]	23°	8.26 [209,8]	6.25 [158,8]	7.26 [184,4]	0.75 [18,9]	1.75 [44,4]	2.36 [59,9]	1.16 [29,5]
2.50 [65]	28°	10.98 [278,9]	8.75 [222,3]	9.87 [250,7]	0.64 [16,3]	1.75 [44,4]	3.13 [79,5]	1.70 [43,2]
3.00 [80]	23°	10.98 [278,9]	8.75 [222,3]	9.87 [250,7]	0.64 [16,3]	1.75 [44,4]	3.38 [85,9]	1.70 [43,2]



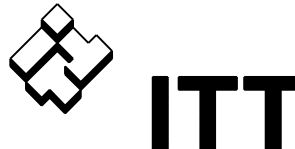
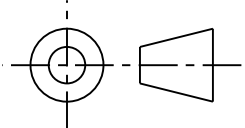
"STANDARD"
STERILE ACCESS
AND HORIZONTAL
STERILE ACCESS



"OPTIONAL"
GMP



UNLESS OTHERWISE SPECIFIED, DIMENSIONS NOT SHOWN IN BRACKETS [] ARE IN INCHES. DIMENSIONS SHOWN IN BRACKETS [] ARE IN MILLIMETERS.

PURE-FLO ORDER: -	ITEM: -	THIRD ANGLE PROJECTION	<input checked="" type="checkbox"/>	DATE	BY	FABRICATION STD	 ITT LANCASTER, PA USA		
CUSTOMER: -			DWN	04/14/11	MJM	WR BP-03.00			
CUSTOMER PO:-			CHKD	04/14/11	JRD	WROUGHT MAIN VALVE			
OTHER INFO: -			APVD	04/14/11	JRD				
ISSUED BY: -		ALL DIMENSIONS SHOWN ON THIS DRAWING ARE FOR REFERENCE ONLY		MASTER DWG: A26759/A	ECN# 10383	ISSUED BY: -	CERT BY: -		
						B	A26759	SHEET 1 OF 1	REV A