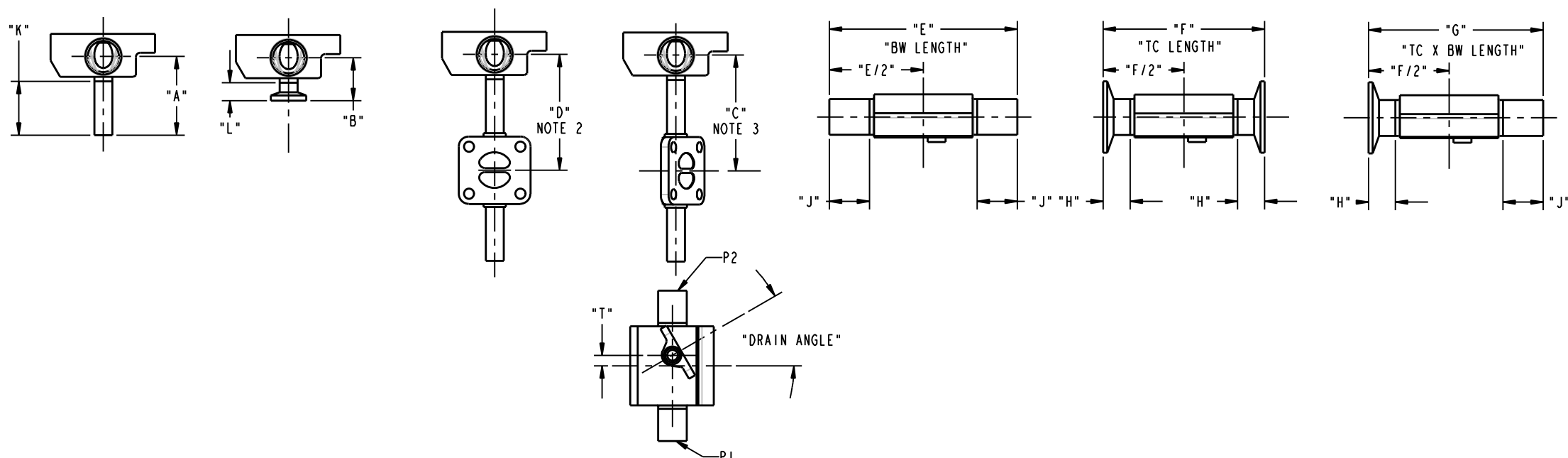


		MAIN VALVE GMP																
		BIO-PURE BIO-TEK	CODES	0.50 [15]	CODES	0.75 [20]	CODES	1.00 [25]	CODES	1.50 [40]	CODES	2.00 [50]	CODES	2.50 [65]	CODES	3.00 [80]	CODES	
W O R D	0.25 [6] 0.375 [10] 0.50 [15]	A B	e	1.94 [49,3] 1.56 [39,6]		2.04 [51,8] 1.04 [26,4]		2.11 [53,6] 1.11 [28,2]		2.20 [55,9] 1.20 [30,5]		2.45 [62,2] 1.45 [36,8]		2.70 [68,6] 1.70 [43,2]		2.93 [74,4] 1.93 [49,0]		3.18 [80,8] 2.18 [55,4]
	BIO-PURE BIO-TEK	C C C	a	1.88 [47,8] 1.88 [47,8] 1.88 [47,8]	a	1.88 [47,8] 1.88 [47,8] 1.88 [47,8]	a	2.00 [50,8] 2.00 [50,8] 2.00 [50,8]	a	2.25 [57,2] 2.25 [57,2] 2.25 [57,2]	a	2.50 [63,5] 2.50 [63,5] 2.50 [63,5]	a	2.75 [69,9] 2.75 [69,9] 2.75 [69,9]	a	3.00 [76,2] 3.00 [76,2] 3.00 [76,2]	a	3.00 [76,2] 3.00 [76,2] 3.00 [76,2]
	BIO-PURE BIO-TEK	D D D	ad ad d	2.36 [59,9] 2.36 [59,9] 2.36 [59,9]	ad ad d	2.36 [59,9] 2.36 [59,9] 2.36 [59,9]	a a d	3.25 [82,6] 3.25 [82,6] 3.25 [82,6]	ad ad d	3.25 [82,6] 3.25 [82,6] 3.25 [82,6]	ad ad d	3.45 [87,6] 3.45 [87,6] 3.45 [87,6]	ad ad d	4.41 [112,0] 4.41 [112,0] 4.41 [112,0]	ad ad d	4.41 [112,0] 4.41 [112,0] 4.41 [112,0]	ad ad d	4.41 [112,0] 4.41 [112,0] 4.41 [112,0]
	0.50 [15]	A B C D		2.04 [51,8] 1.04 [26,4] 2.38 [60,5] 3.00 [76,2]		2.11 [53,6] 1.11 [28,2] 2.38 [60,5] 3.00 [76,2]		2.20 [55,9] 1.20 [30,5] 2.75 [69,9] 3.50 [88,9]		2.45 [62,2] 1.45 [36,8] 2.68 [68,1] 3.75 [95,2]	acd	2.70 [68,6] 1.70 [43,2] 2.95 [74,9] 4.25 [107,9]	acd	2.93 [74,4] 1.93 [49,0] 3.96 [100,6] 4.66 [118,4]	acd	3.18 [80,8] 2.18 [55,4] 4.00 [101,6] 4.66 [118,4]	acd	3.18 [80,8] 2.18 [55,4] 4.00 [101,6] 4.66 [118,4]
	0.75 [20]	A B C D				2.11 [53,6] 1.11 [28,2] 2.75 [69,9] 4.00 [101,6]		2.20 [55,9] 1.20 [30,5] 3.12 [79,3] 4.25 [107,9]		2.45 [62,2] 1.45 [36,8] 3.25 [82,6] 4.25 [107,9]	d	2.70 [68,6] 1.70 [43,2] 3.38 [85,9] 4.50 [114,3]	d	2.93 [74,4] 1.93 [49,0] 4.00 [101,6] 5.44 [138,2]	ad	3.18 [80,8] 2.18 [55,4] 4.00 [101,6] 5.44 [138,2]	ad	3.18 [80,8] 2.18 [55,4] 4.00 [101,6] 5.44 [138,2]
	1.00 [25]	A B C D						2.20 [55,9] 1.82 [46,2] 3.12 [79,3] 4.25 [107,9]		2.45 [62,2] 2.07 [52,6] 3.25 [82,6] 4.25 [107,9]	d	2.70 [68,6] 2.32 [58,9] 3.38 [85,9] 4.50 [114,3]	d	2.93 [74,4] 2.55 [64,8] 4.00 [101,6] 5.44 [138,2]	d	3.18 [80,8] 2.80 [71,1] 4.00 [101,6] 5.44 [138,2]	d	3.18 [80,8] 2.80 [71,1] 4.00 [101,6] 5.44 [138,2]
	1.50 [40]	A B C D								2.45 [62,2] 2.07 [52,6] 3.75 [95,3] 5.00 [127,0]	d	2.70 [68,6] 2.32 [58,9] 4.00 [101,6] 5.40 [137,2]	d	2.93 [74,4] 2.55 [64,8] 4.00 [101,6] 5.45 [138,4]	d	3.18 [80,8] 2.80 [71,1] 5.45 [138,4] 6.00 [152,4]	d	3.18 [80,8] 2.80 [71,1] 5.45 [138,4] 6.00 [152,4]
	2.00 [50]	A B C D										2.95 [74,9] 2.32 [58,9] 4.25 [107,9] 5.40 [137,2]	d	3.18 [80,8] 2.55 [64,8] 5.45 [138,4] 5.45 [138,4]	d	3.43 [87,1] 2.80 [71,1] 5.45 [138,4] 6.00 [152,4]	d	3.43 [87,1] 2.80 [71,1] 5.45 [138,4] 6.00 [152,4]
	2.50 [65]	A B C D												3.18 [80,8] 2.55 [64,8] 6.50 [165,1] 8.75 [222,2]	d	3.43 [87,1] 2.80 [71,1] 6.50 [165,1] 8.75 [222,2]	d	3.43 [87,1] 2.80 [71,1] 6.50 [165,1] 8.75 [222,2]
	3.00 [80]	A B C D														3.43 [87,1] 2.80 [71,1] 6.50 [165,1] 8.75 [222,2]	d	3.43 [87,1] 2.80 [71,1] 6.50 [165,1] 8.75 [222,2]

		MAIN VALVE GMP OFFSETS							
		BIO-PURE BIO-TEK	0.50 [15]	0.75 [20]	1.00 [25]	1.50 [40]	2.00 [50]	2.50 [65]	3.00 [80]
P U R G E	0.250 [6]	T	0.21 [5,3]	0.25 [6,4]	0.25 [6,4]	0.27 [6,9]	0.31 [7,9]	0.31 [7,9]	0.50 [12,7]
	0.375 [10]	T	0.27 [6,9]	0.31 [7,9]	0.31 [7,9]	0.33 [8,4]	0.37 [9,4]	0.37 [9,4]	0.56 [14,2]
	0.50 [15]	T	0.31 [7,9]	0.35 [8,9]	0.35 [8,9]	0.36 [9,1]	0.40 [10,2]	0.40 [10,2]	0.60 [15,2]
	0.75 [20]	T			0.47 [11,9]	0.49 [12,4]	0.53 [13,5]	0.53 [13,5]	0.72 [18,3]
	1.00 [25]	T				0.61 [15,5]	0.65 [16,5]	0.65 [16,5]	0.85 [21,6]
	1.50 [40]	T					0.90 [22,9]	0.90 [22,9]	1.10 [27,9]
2.00 [50]	T						1.16 [29,5]	1.35 [34,3]	
2.50 [65]	T							1.60 [40,6]	
3.00 [80]	T							1.85 [47,0]	

		MAIN VALVE					PURGE TUBE	
VALVE/PURGE SIZE/TUBE	DRAIN ANGLE	E BW LENGTH	F TC LENGTH	G TC X BW LENGTH	H	J	K	L
BIO-PURE BIO-TEK	30°	4.72 [119,9]	2.50 [63,5]	3.61 [91,7]	0.39 [9,9]	1.50 [38,1]	1.50 [38,1]	0.50 [12,7] 1.12 [28,4] SEE CODE e
0.50 [15]	30°	5.13 [130,3]	3.50 [88,9]	4.32 [109,7]	0.69 [17,4]	1.50 [38,1]	1.50 [38,1]	0.50 [12,7]
0.75 [20]	30°	5.57 [141,5]	4.00 [101,6]	4.79 [121,7]	0.72 [18,2]	1.50 [38,1]	1.50 [38,1]	0.50 [12,7]
1.00 [25]	30°	6.00 [152,4]	4.50 [114,3]	5.25 [133,4]	0.75 [19,1]	1.50 [38,1]	1.50 [38,1]	1.12 [28,4]
1.50 [40]	28°	6.94 [176,3]	5.50 [139,7]	6.22 [158,0]	0.78 [19,8]	1.50 [38,1]	1.50 [38,1]	1.12 [28,4]
2.00 [50]	23°	8.26 [209,8]	6.25 [158,8]	7.26 [184,4]	0.75 [18,9]	1.75 [44,4]	1.75 [44,4]	1.12 [28,4]
2.50 [65]	28°	10.98 [278,9]	8.75 [222,3]	9.87 [250,7]	0.64 [16,3]	1.75 [44,4]	1.75 [44,4]	1.12 [28,4]
3.00 [80]	23°	10.98 [278,9]	8.75 [222,3]	9.87 [250,7]	0.64 [16,3]	1.75 [44,4]	1.75 [44,4]	1.12 [28,4]



CODES:
a- NON-CONFORMANCE TO "6D" RULE.
c- FOR 0.50 PURGE VALVE WITH A208 ACTUATOR, ROTATE AIR CONNECTION 90° TO PURGE FLOW DIRECTION.
d- PURGE TUBE REQUIRED.
e- FOR BIO-PURE AND BIO-TEK MAIN VALVE, L= 1.12 [28,4].

NOTES:
1. THESE STANDARDS ARE SUITABLE FOR HANDWHEEL AND ADVANTAGE TOPWORKS ONLY. US O.D. TUBE AND TRI-CLAMP ONLY.
2. FOR ORIENTATIONS RR OR LL.
3. NOT FOR ORIENTATIONS RR OR LL.

P & ID	PURE-FLO ORDER: _____	ITEM: _____	THIS DOCUMENT IS THE SOLE PROPERTY OF ITT CORPORATION, OR ITS SUBSIDIARY, AND IS PROVIDED SUBJECT TO RETURN. IT IS ISSUED IN STRICT CONFIDENCE AND SHALL NOT BE REPRODUCED, OR COPIED, OR DISCLOSED IN WHOLE OR IN PART, OR USED AS THE BASIS FOR THE MANUFACTURE OR SALES OF APPARATUS OR PARTS TO WHICH THE DOCUMENT RELATES, WITHOUT THE EXPRESS WRITTEN CONSENT OF ITT CORPORATION, OR ITS SUBSIDIARY. THIS LEGEND SHALL BE MARKED ON ANY REPRODUCTION HEREOF, IN WHOLE OR IN PART. ALL RIGHTS TO THE INFORMATION AND DESIGN DISCLOSED HEREIN ARE RESERVED TO ITT CORPORATION, OR ITS SUBSIDIARY.	THIRD ANGLE PROJECTION	UNLESS OTHERWISE NOTED	DATE	BY	FABRICATION STANDARDS	 Pure-Flo www.ittpureflo.com
	CUSTOMER: _____	CUSTOMER PO: _____		OTHER INFO: _____	ISSUED BY: _____	CERTIFIED BY: _____	 UNLESS OTHERWISE SPECIFIED, ALL DIMENSIONS ARE IN INCHES	UNLESS OTHERWISE NOTED INCH MM 1/16 ±0.006 1.5 ±0.075 1/8 ±0.006 2.0 ±0.075 3/16 ±0.006 4.8 ±0.150 1/4 ±0.006 6.4 ±0.150 5/16 ±0.006 8.0 ±0.150 3/8 ±0.006 9.6 ±0.150 1/2 ±0.006 12.7 ±0.150 3/4 ±0.006 19.1 ±0.150 1 ±0.006 25.4 ±0.150 1 1/4 ±0.006 31.8 ±0.150 1 1/2 ±0.006 38.1 ±0.150 2 ±0.006 50.8 ±0.150 2 1/2 ±0.006 63.5 ±0.150 3 ±0.006 76.2 ±0.150 4 ±0.006 101.6 ±0.150 5 ±0.006 127.0 ±0.150 6 ±0.006 152.4 ±0.150 8 ±0.006 203.2 ±0.150 10 ±0.006 254.0 ±0.150 12 ±0.006 304.8 ±0.150 16 ±0.006 406.4 ±0.150 20 ±0.006 508.0 ±0.150 25 ±0.006 635.0 ±0.150 30 ±0.006 762.0 ±0.150 40 ±0.006 1016.0 ±0.150 50 ±0.006 1270.0 ±0.150 60 ±0.006 1524.0 ±0.150 80 ±0.006 2032.0 ±0.150 100 ±0.006 2540.0 ±0.150 125 ±0.006 3175.0 ±0.150 150 ±0.006 3810.0 ±0.150 200 ±0.006 5080.0 ±0.150 250 ±0.006 6350.0 ±0.150 300 ±0.006 7620.0 ±0.150 400 ±0.006 10160.0 ±0.150 500 ±0.006 12700.0 ±0.150 600 ±0.006 15240.0 ±0.150 800 ±0.006 20320.0 ±0.150 1000 ±0.006 25400.0 ±0.150	