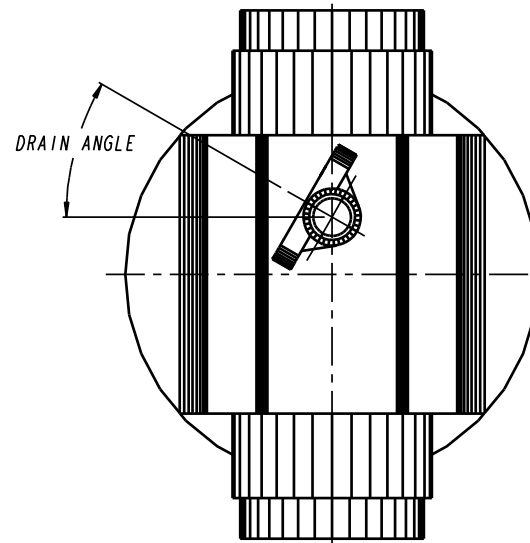


		MAIN VALVE		
		4.00 [100]	6.00 [150]	
PURGE	BIO-TEK	"C"	*4.80 [121,9]	*4.80 [121,9]
	0.50 [15]	"A"	4.20 [106,7]	5.06 [128,5]
		"B"	3.06 [77,7]	3.92 [99,6]
		"C"	*5.50 [139,7]	*5.50 [139,7]
	0.75 [20]	"A"	4.20 [106,7]	5.06 [128,5]
		"B"	3.06 [77,7]	3.92 [99,6]
		"C"	*5.50 [139,7]	*5.50 [139,7]
	1.00 [25]	"A"	4.20 [106,7]	5.06 [128,5]
		"B"	3.06 [77,7]	3.92 [99,6]
		"C"	5.50 [139,7]	6.00 [152,4]
	1.50 [40]	"A"	4.20 [106,7]	5.06 [128,5]
		"B"	3.06 [77,7]	3.92 [99,6]
"C"		6.00 [152,4]	6.50 [165,1]	
2.00 [50]	"A"	4.20 [106,7]	5.06 [128,5]	
	"B"	3.06 [77,7]	3.92 [99,6]	
	"C"	6.39 [162,3]	7.00 [177,8]	
2.50 [65]	"A"	4.20 [106,7]	5.06 [128,5]	
	"B"	3.06 [77,7]	3.92 [99,6]	
	"C"	8.00 [203,2]	9.00 [228,6]	
3.00 [80]	"A"	4.20 [106,7]	5.06 [128,5]	
	"B"	3.06 [77,7]	3.92 [99,6]	
	"C"	8.00 [203,2]	9.00 [228,6]	
4.00 [100]	"A"	----	5.06 [128,5]	
	"B"	----	3.92 [99,6]	
	"C"	----	10.00 [254,0]	

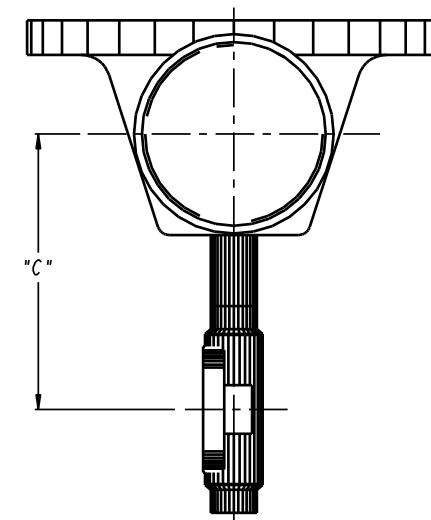
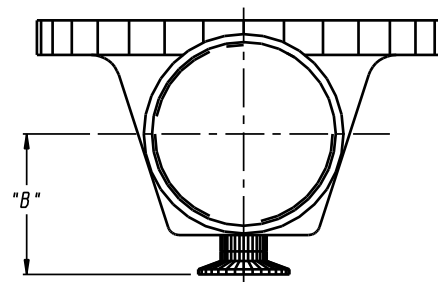
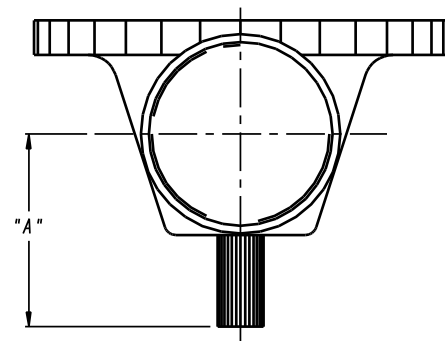
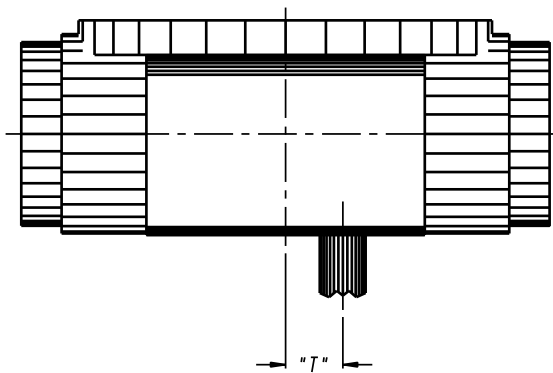
		MAIN VALVE		
		4.00 [100] FORGING	6.00 [150] CASTING	
PURGE	0.25 [6]	"T"	0.62 [15,7]	1.00 [25,4]
	0.38 [10]	"T"	0.69 [17,5]	1.06 [26,9]
	0.50 [15]	"T"	0.72 [18,3]	1.118 [28,40]
	0.75 [20]	"T"	0.84 [21,3]	1.322 [33,58]
	1.00 [25]	"T"	0.97 [24,6]	1.457 [37,01]
	1.50 [40]	"T"	1.22 [31,0]	1.700 [43,18]
	2.00 [50]	"T"	1.47 [37,3]	1.962 [49,83]
	2.50 [65]	"T"	1.72 [43,7]	2.240 [56,90]
	3.00 [80]	"T"	1.97 [50,0]	2.692 [68,38]
	4.00 [100]	"T"	-----	3.174 [80,62]

PURGE VALVE	DRAIN ANGLE
BIO-TEK 3.50 [88,9] LG	20°
BIO-TEK 2.53 [64,3] LG	30°
0.50 [15]	
0.75 [20]	
1.00 [25]	28°
1.50 [40]	
2.00 [50]	
2.50 [65]	26°
3.00 [80]	20°
4.00 [100]	16°


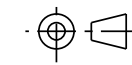
- NOTE:
1. THESE STANDARDS ARE SUITABLE FOR HANDWHEEL AND ADVANTAGE TOPWORKS ONLY, U.S. O.D. TUBE & TRI-CLAMP ONLY.
 - * 2. NON-CONFORMANCE TO "60" RULE.
 3. PURGE TUBE REQUIRED FOR BOTH BW EXT AND TC X BW PURGE BODIES.



VERTICAL MAIN VALVE



UNLESS OTHERWISE SPECIFIED, DIMENSIONS NOT SHOWN IN BRACKETS [] ARE IN INCHES. DIMENSIONS SHOWN IN BRACKETS [] ARE IN MILLIMETERS.

ENGRD VALVES ORDER: -	ITEM: -	THIRD ANGLE PROJECTION	DATE	BY	FABRICATION STDS	 ITT Engineered Valves www.engvalves.com	
FIGURE NO.: -			DWN	08/30/07	DJS		WEIR 04.00 [100]
CUSTOMER: -			CHKD	08/30/07	JRD		& 06.00 [150] GMP
CUSTOMER P.O.: -		ALL DIMENSIONS SHOWN ON THIS DRAWING ARE FOR REFERENCE ONLY	APVD	08/30/07	JRD		MASTER DWG: 004421-1/1/J
		ECN# 10707		ISSUED BY: -	CERT BY: -	SHEET 1 OF 1 REV J	