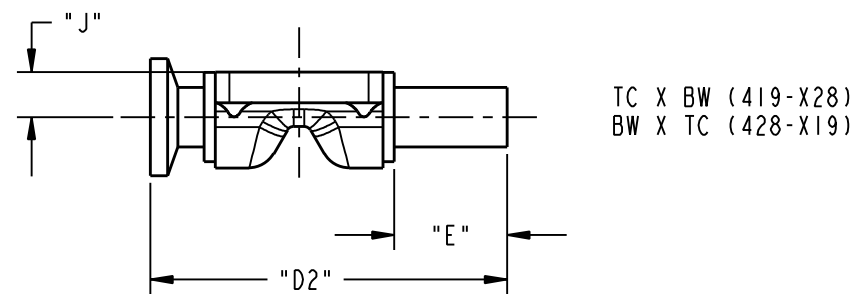
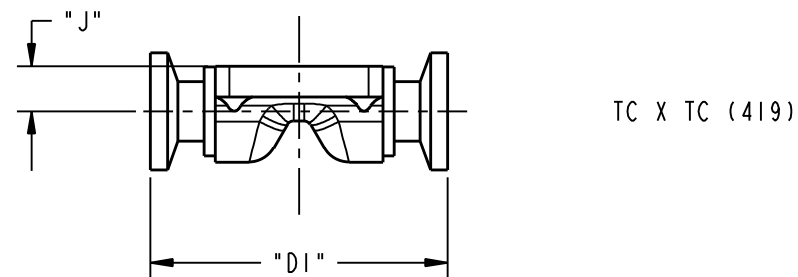
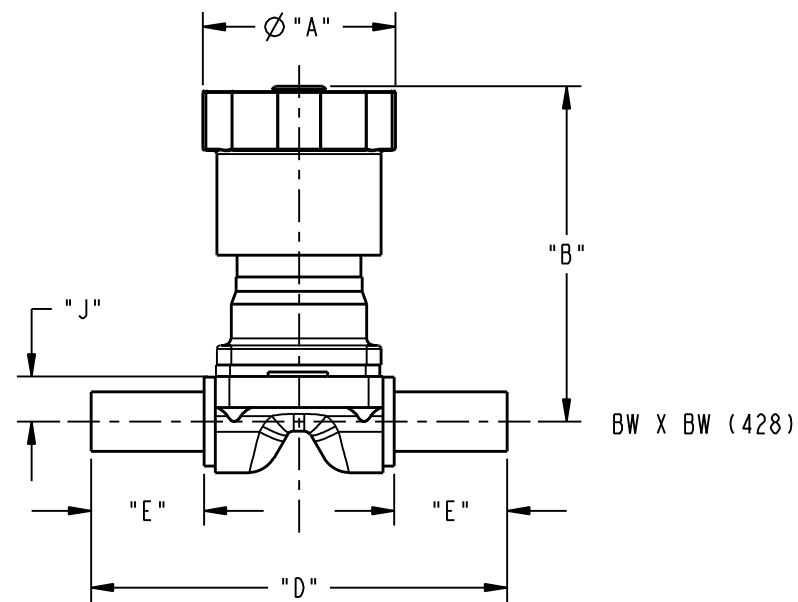
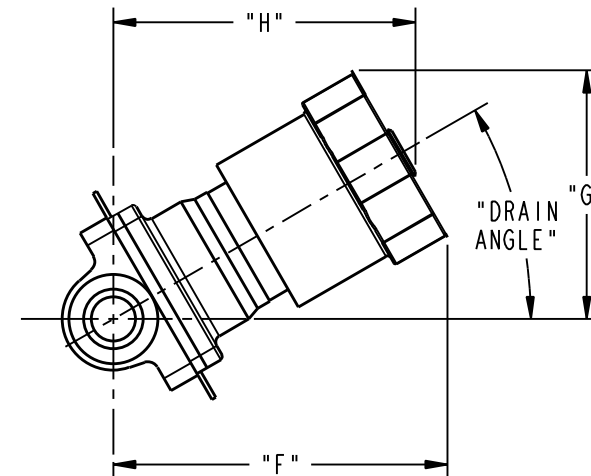


FIGURE NUMBERS



VALVE SIZE	$\phi$ "A"	"B"	"D"	"D1"	"D2"	"E"	"F"	"G"	"H"	"J"	DRAIN ANGLE
00.25 [DN6]	1.62 [41,2]	2.82 [71,6]	3.50 [88,9]	2.50 [63,5]	3.00 [76,2]	0.95 [24,1]	2.81 [71,4]	2.09 [53,1]	2.54 [64,5]	0.38 [9,7]	30°
00.38 [DN10]											
00.50 [DN15]											



VALVE IN DRAIN POSITION

THIS DOCUMENT IS THE SOLE PROPERTY OF ITT CORPORATION, OR ITS SUBSIDIARY, AND IS PROVIDED SUBJECT TO RETURN. IT IS ISSUED IN STRICT CONFIDENCE AND SHALL NOT BE REPRODUCED, OR COPIED, OR DISCLOSED IN WHOLE OR IN PART, OR USED AS THE BASIS FOR THE MANUFACTURE OR SALES OF APPARATUS OR PARTS TO WHICH THE DOCUMENT RELATES, WITHOUT THE EXPRESS WRITTEN CONSENT OF ITT CORPORATION, OR ITS SUBSIDIARY. THIS LEGEND SHALL BE MARKED ON ANY REPRODUCTION HEREOF, IN WHOLE OR IN PART. ALL RIGHTS TO THE INFORMATION AND DESIGN DISCLOSED HEREIN ARE RESERVED TO ITT CORPORATION, OR ITS SUBSIDIARY.

PURE-FLO ORDER: -	ITEM: -	THIRD ANGLE PROJECTION	UNLESS OTHERWISE NOTED	DATE	BY	BIO-TEK WEIR VALVE OUTLINE	 Pure-Flo www.ittpureflo.com
CUSTOMER: -			INCH      MM .X : ± 0.06      X : ± 1,5 .XX : ± 0.06      .X : ± 1,5 .XXX : ± 0.02      .XX : ± ,5 X/X : ± 1/16 .X : ± ,5      X : ± 1,5	DWN 03/28/11	MJM	00.25 - 00.50 HWO	
CUSTOMER PO: -			UNLESS OTHERWISE SPECIFIED, ALL DIMENSIONS ARE IN INCHES	CHKD 03/28/11	JRD		C      A27198      SHEET 1 OF 1      REV -
OTHER INFO: -				APVD 03/28/11	JRD	MASTER DWG: A27198/-      ECN# 10383      ISSUED BY: -      CERT BY: -	